

Afi

technical specification



.mdd

.mdd has a leading position among manufacturers of office furniture with many awards that prove quality and continuously increase demand for it's products.

The realities of today`s market require constant quality improvement at all levels of modern organization. This applies in particular to customer service, marketing, quality of products and also to quality of processes within the company.

Partnership relations among employees and with business partners form a base of economic growth and success of the company.

Constant investments in innovative machinery park, optimization of management systems and an expansion of production halls allow to minimize the lead times for the product of the highest quality.

More than twenty years of experience in office furniture industry come with reference from a long list of companies and institutions to show their appreciation for an efficient and comprehensive service.

.mdd is highly aware of the environment.

Being located in the forest region with lake by it's side, .mdd takes the nature seriously and invests constantly in a modern and energy-efficient solutions to preserve the local life. Company puts emphasis on waste segregation and recycling. .mdd has been awarded for the exceptional care and involvement in waste disposal. All materials used are environmentally friendly and enjoy a high 95 % rate of being recycled.



General informations:

Warranty:

.mdd products - **5 years.**

Electrical components and fabric - **2 years.**

Certificate - MFC:



Certificate - fabric:



Assembly:

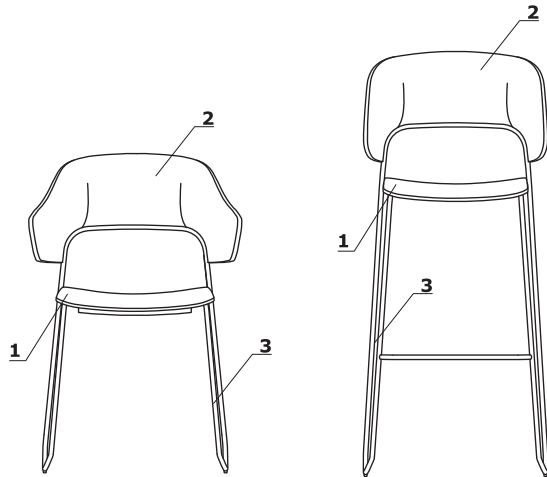
product delivered in separate elements

Packing:

cardboard

Afi	Date of preparation 05.07.2021	The data contained in this document is valid in the day of its preparation. Change of the product, as long as it does not affect the basic features of it, does not require consistent updates of the document.	page 2/6 general informations
-----	-----------------------------------	---	---

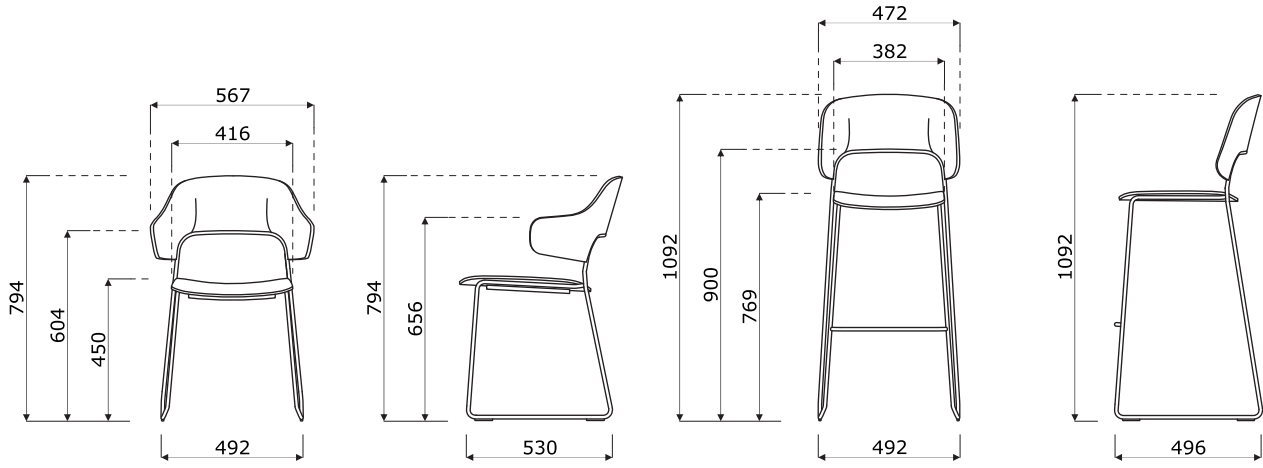
Technical specification



1. **Seat** - plywood, 10 mm thick; stacking spacers underneath the seat
- 4 pcs
2. **Backrest** - plywood, 11 mm thick
3. **Base:**
 - cantilever, metal
 - frame made of tube Ø12 mm, powder coated
 - polypropylene feet, colour: black

ATTENTION - AF04, AF05 - stacked - max. 5 pieces

Dimensions



Afi *



AF01
492 / 496 / 900
9 kg



AF02
492 / 496 / 1092
10.5 kg



AF03
562 / 496 / 1092
11.3 kg



AF04
492 / 530 / 794
9.4 kg



AF05
567 / 530 / 794
8.8 kg



AF06
484 / 480 / 813
8 kg



AF07
492 / 491 / 999
9 kg



AF08
567 / 491 / 999
9.5 kg

* dimensions expressed in millimeters: width x depth x height

Afi	Date of preparation 05.07.2021	The data contained in this document is valid in the day of its preparation. Change of the product, as long as it does not affect the basic features of it, does not require consistent updates of the document.	page 5/6
			products

Seat



181 Natural oak



182 Black oak

Frame



M115 Black semi-matt RAL9005
