



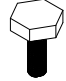



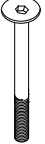


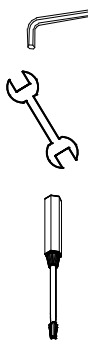

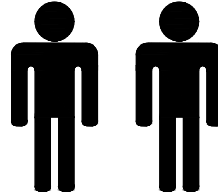

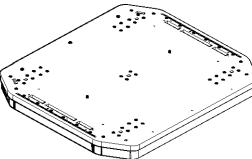
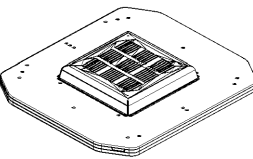
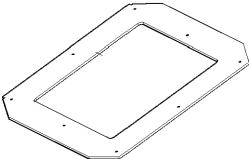

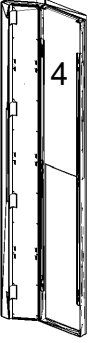


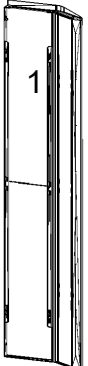






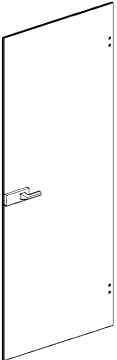
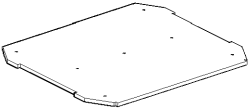
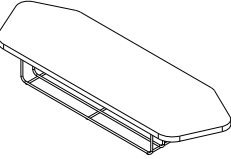



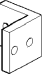
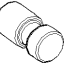

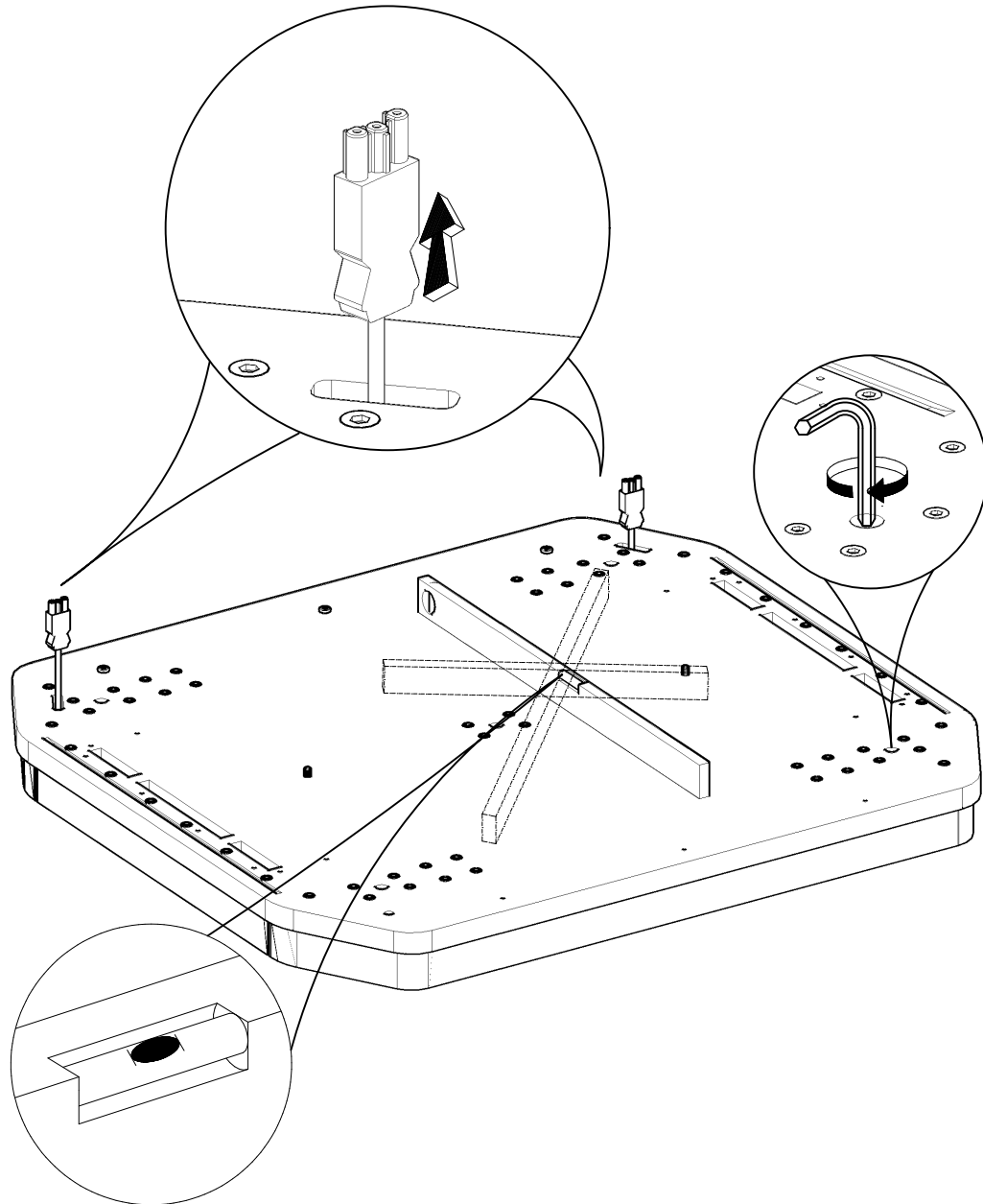


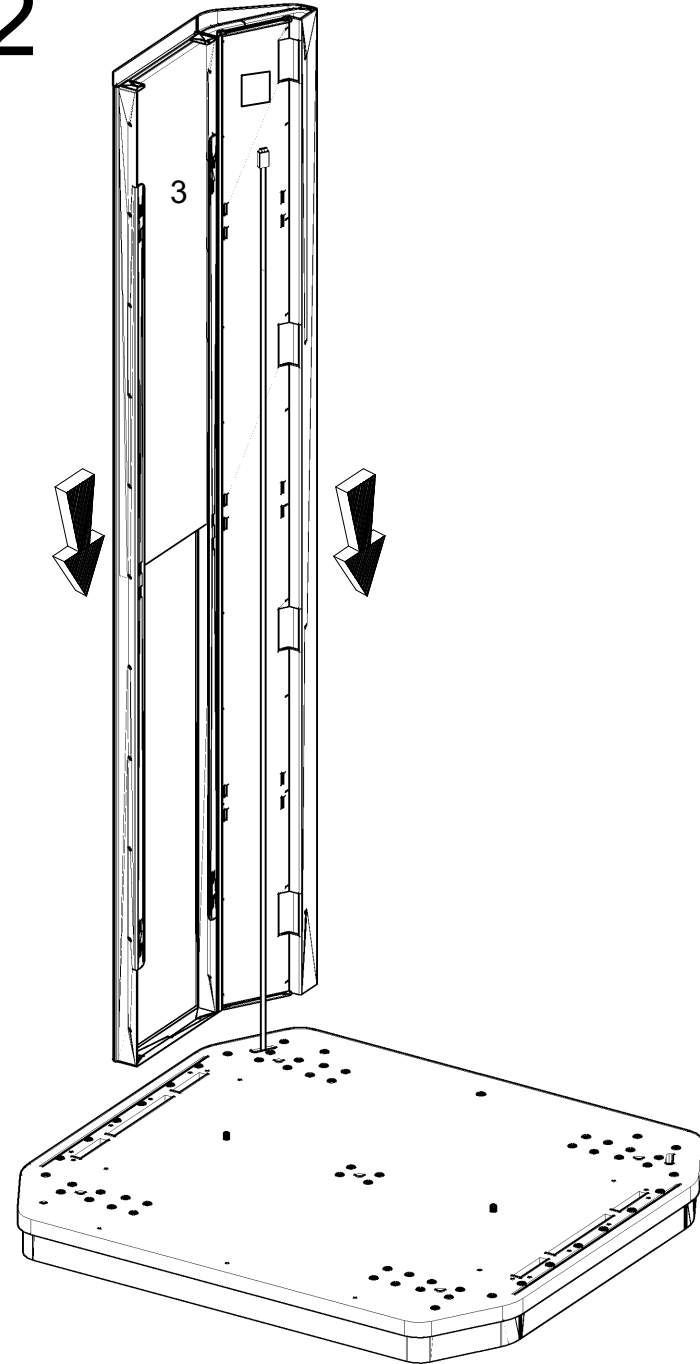
CODA  
**CD01**

<p>1</p>  <p>M6X14</p> <p>63x</p>	<p>2</p>  <p>8x</p>	<p>3</p>  <p>8x</p>	<p>4</p>  <p>M6X25WWI</p> <p>7x</p>	<p>5</p>  <p>M6X20</p> <p>8x</p>	<p>6</p>  <p>8X24X2</p> <p>8x</p>	<p>7</p>  <p>4,0X30</p> <p>6x</p>	<p>8</p>  <p>4,2X25</p> <p>17x</p>	<p>9</p>  <p>M6X65WWI</p> <p>3x</p>	<p>10</p>  <p>M6X55WWI</p> <p>8x</p>	<p>11</p>  <p>M6X30</p> <p>1x</p>	   
 <p>1x</p>	 <p>1x</p>	 <p>1x</p>	 <p>1x</p>	 <p>1x</p>	 <p>1x</p>	 <p>1x</p>	 <p>1x</p>				
 <p>1x</p>	 <p>1x</p>	 <p>1x</p>	 <p>1x</p>	 <p>1x</p>	 <p>1x</p>	 <p>1x</p>	 <p>1x</p>	 <p>1x</p>			
 <p>2x</p>	 <p>1x</p>	 <p>1x</p>	 <p>4x</p>	 <p>1x</p>	 <p>1x</p>						



1

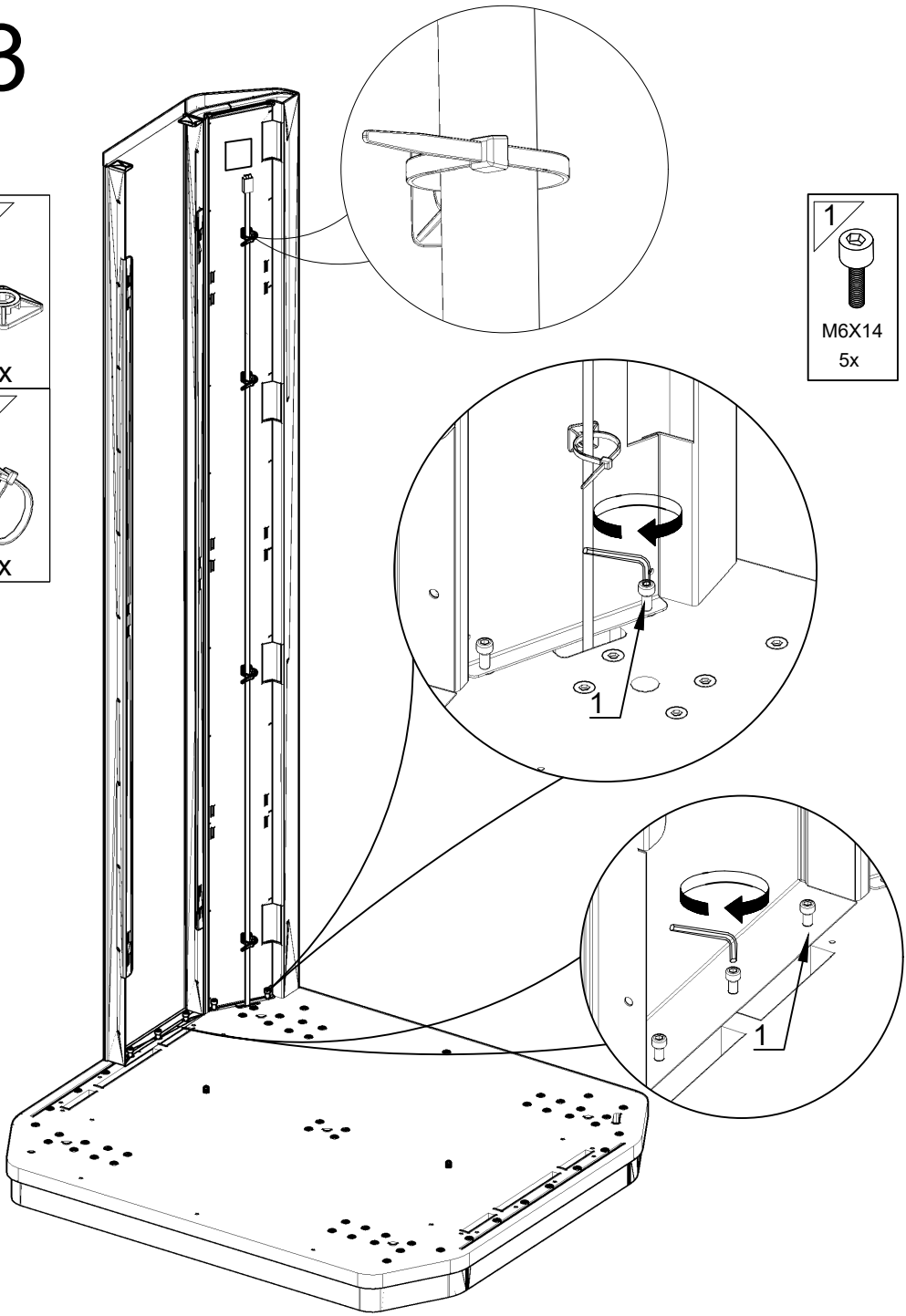



2



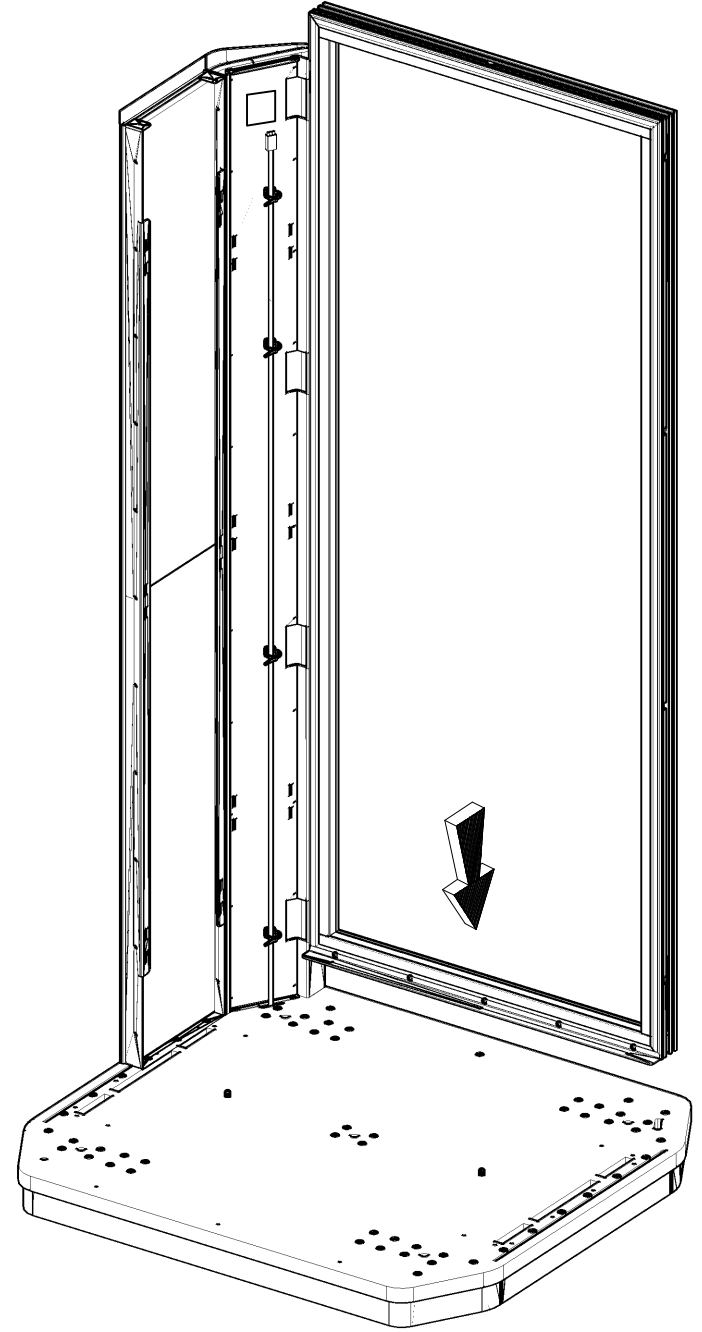
# 3

- 2  
  
4x
- 3  
  
4x

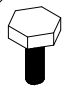



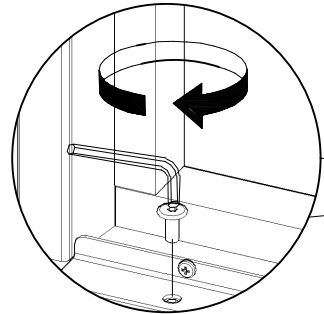
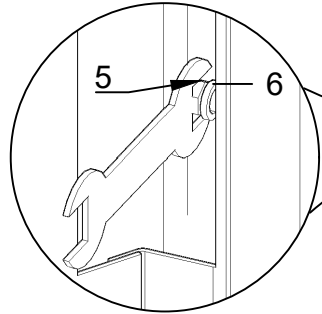
- 1  
  
M6X14  
5x

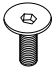
# 4

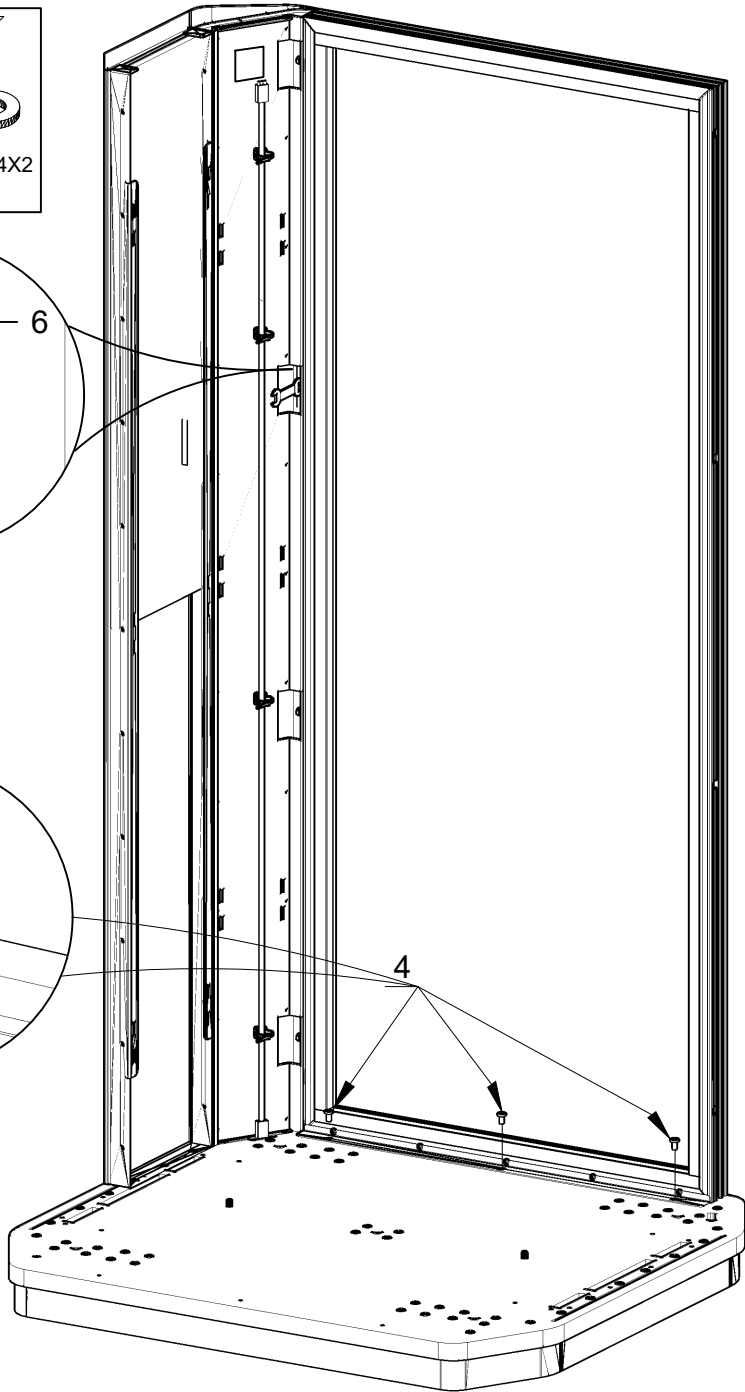


# 5



<b>5</b>  M6X20 4x	<b>6</b>  8X24X2 4x
--	---

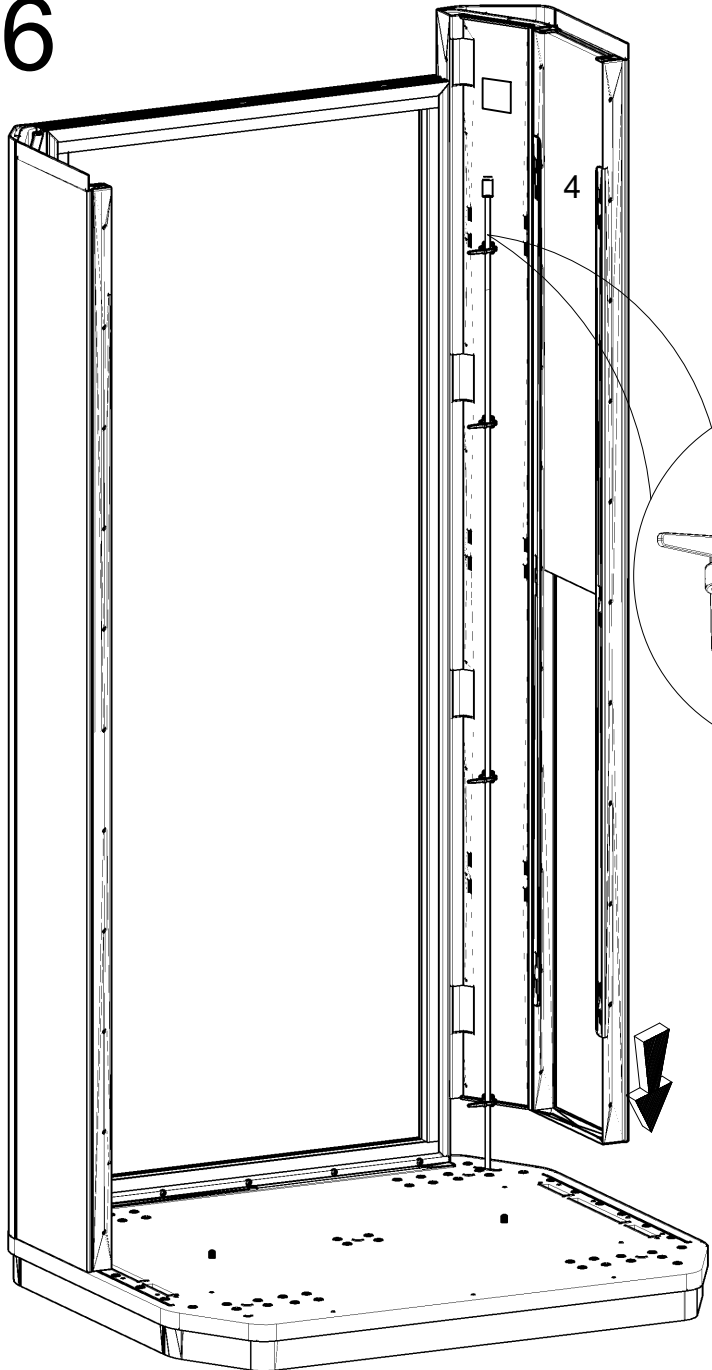
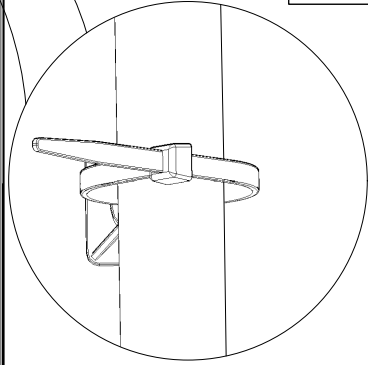


<b>4</b>  M6X25WWW 3x
---


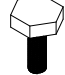
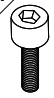


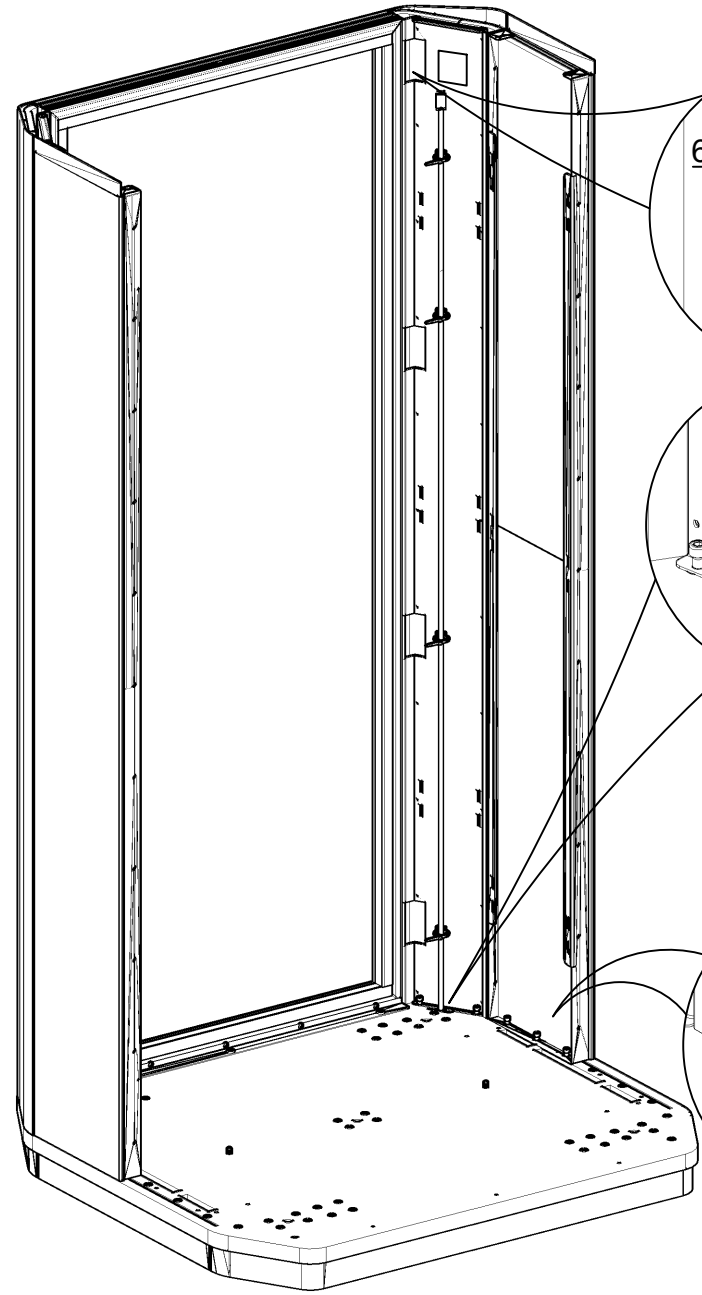
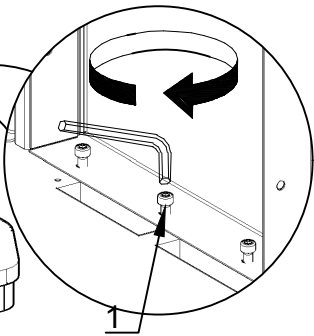
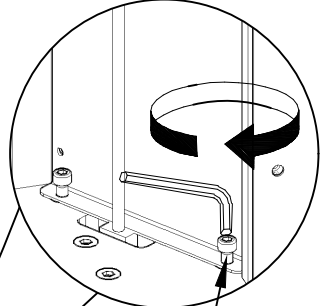
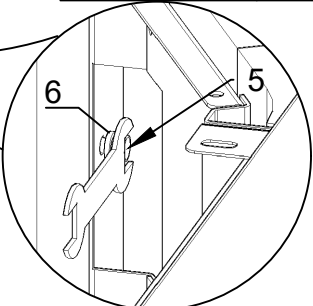
# 6

<b>2</b>  4x	<b>3</b>  4x
---	---

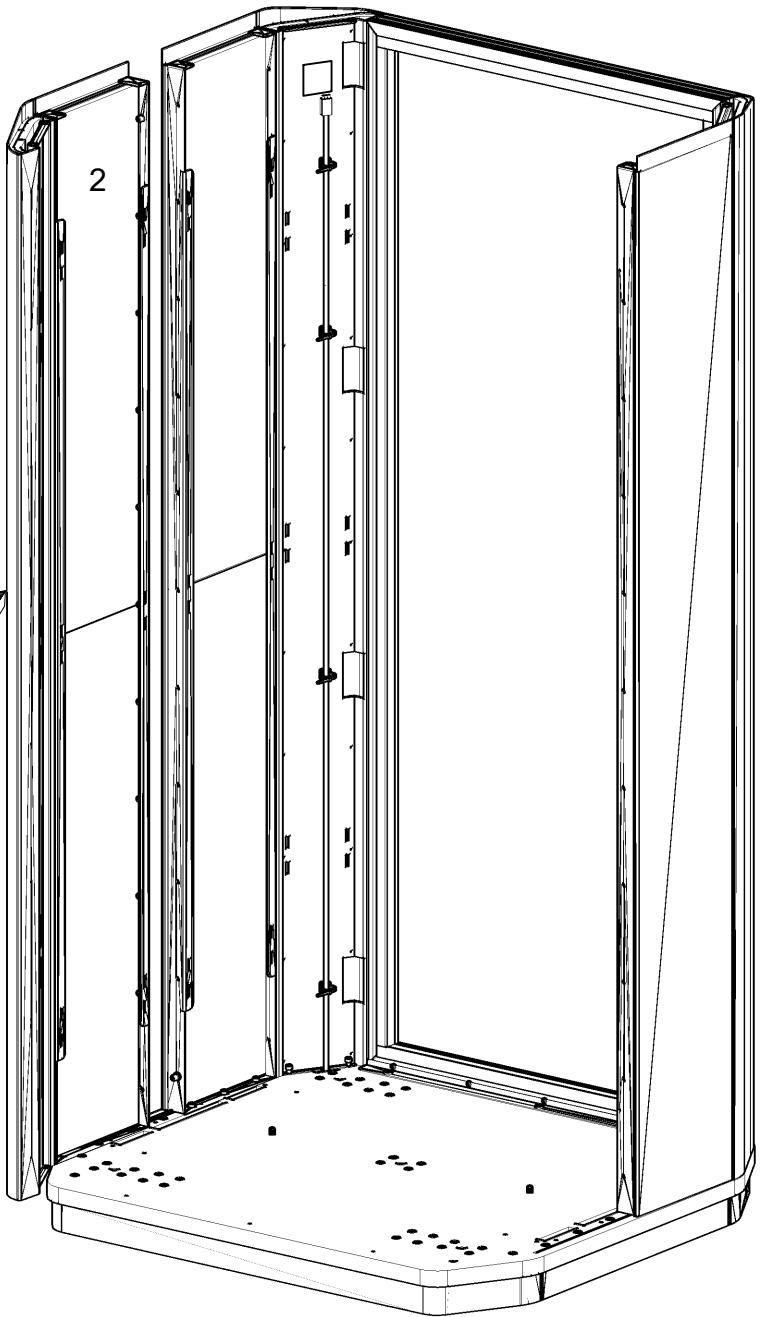
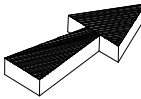


# 7

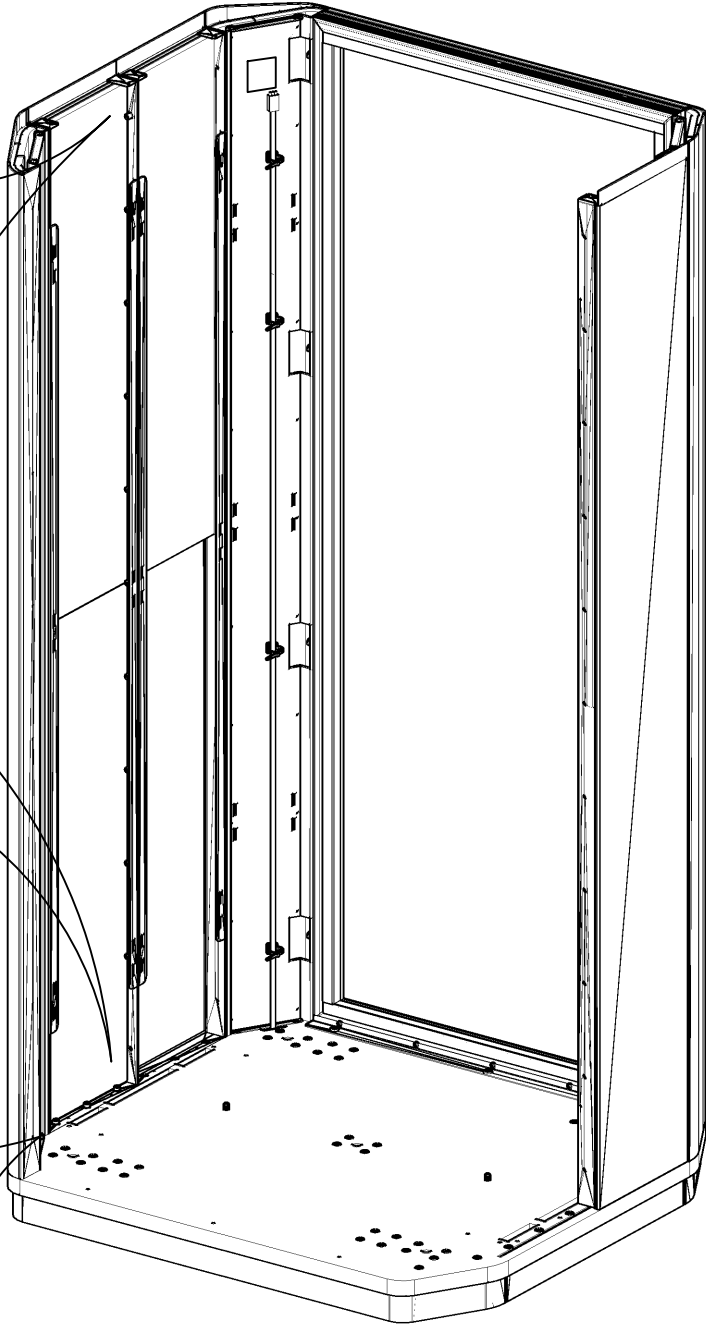
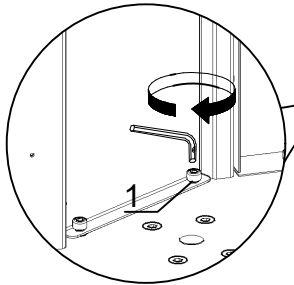
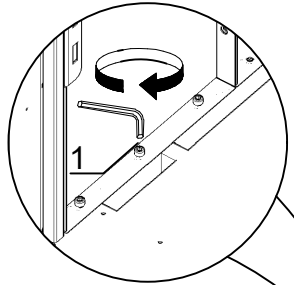
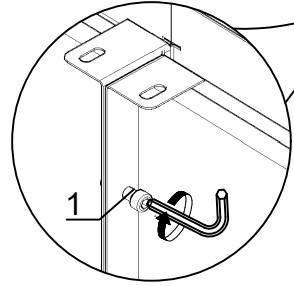
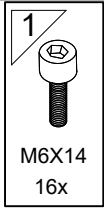
6	5	1
		
8X24X2 4x	M6X20 4x	M6X14 5x



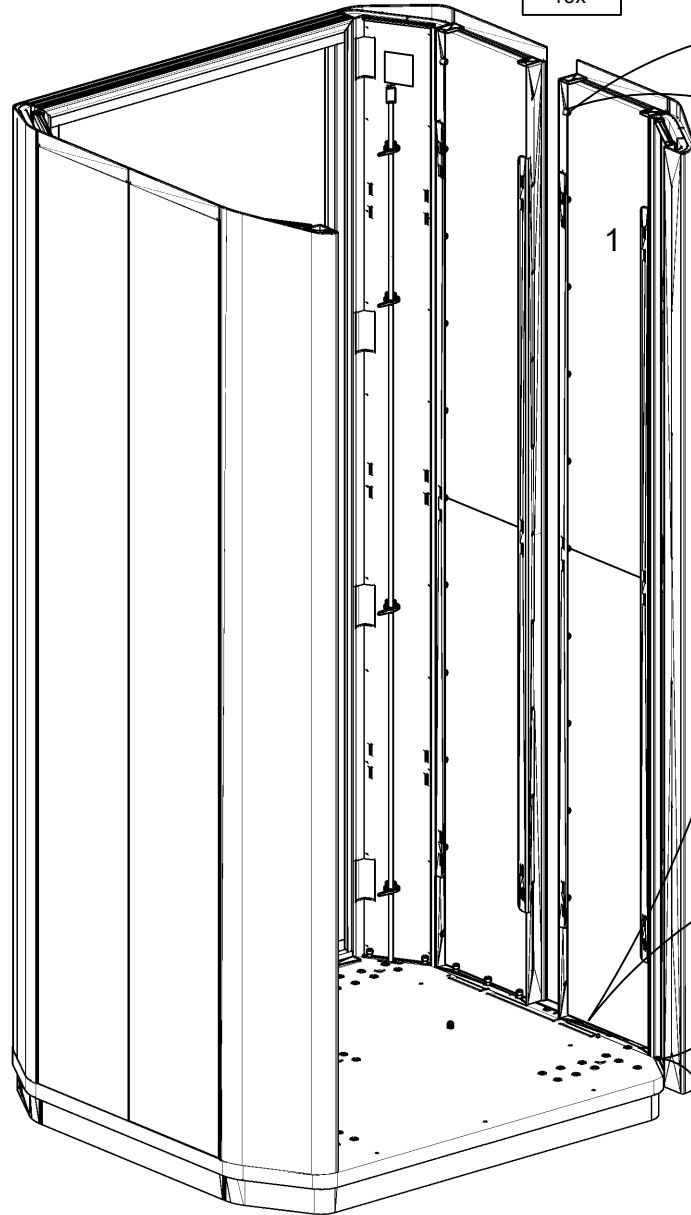
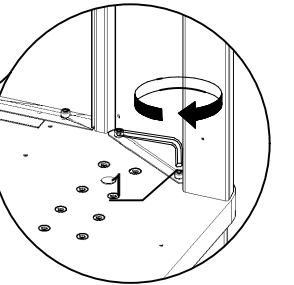
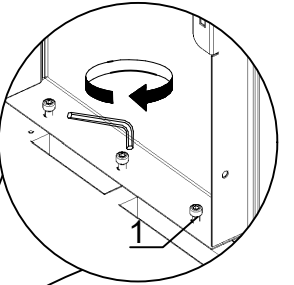
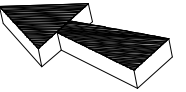
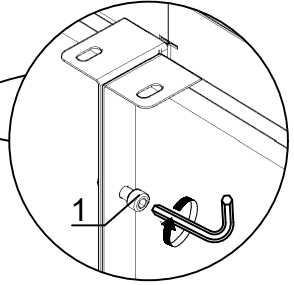
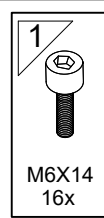
# 8



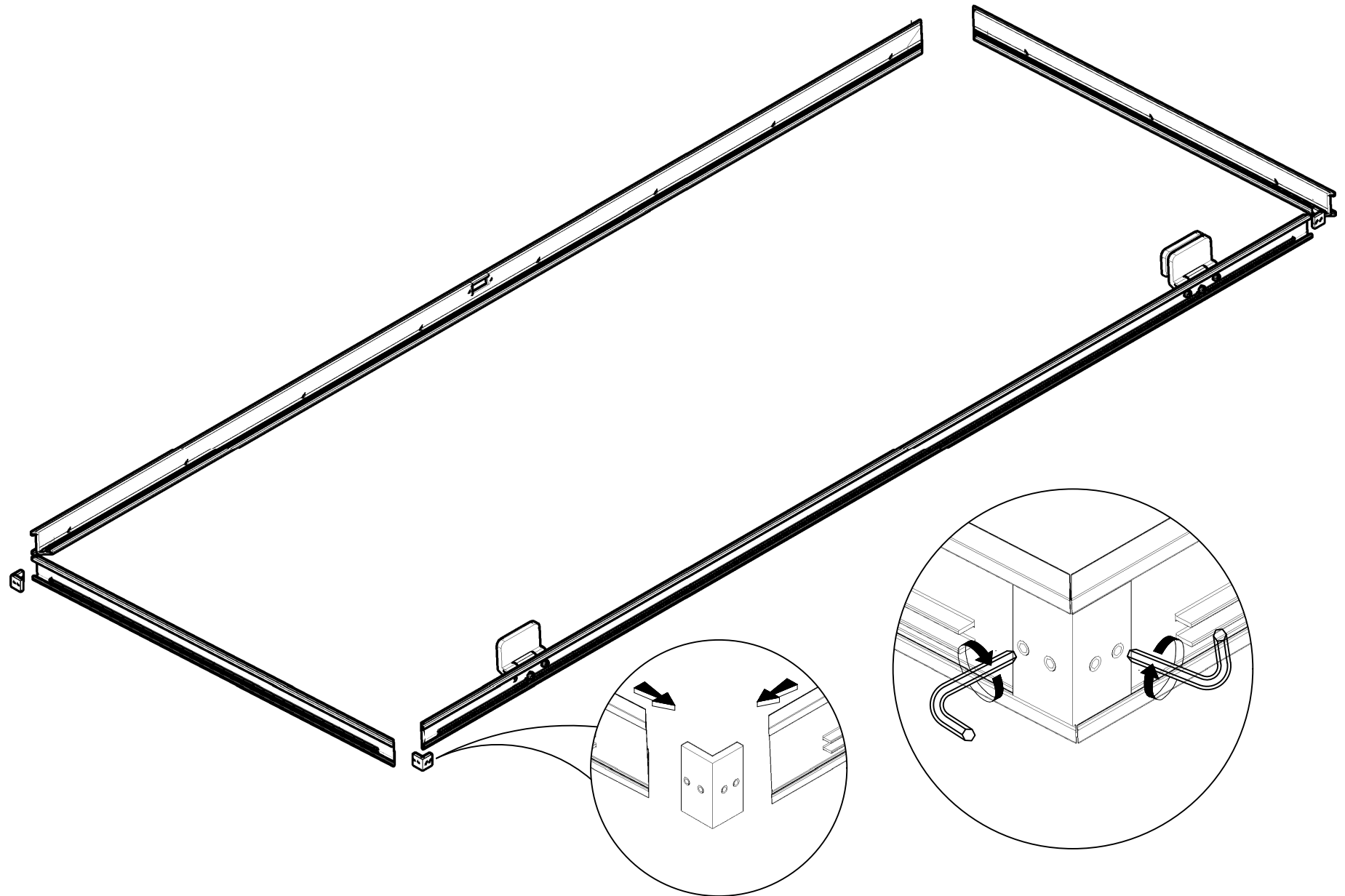
# 9



# 10

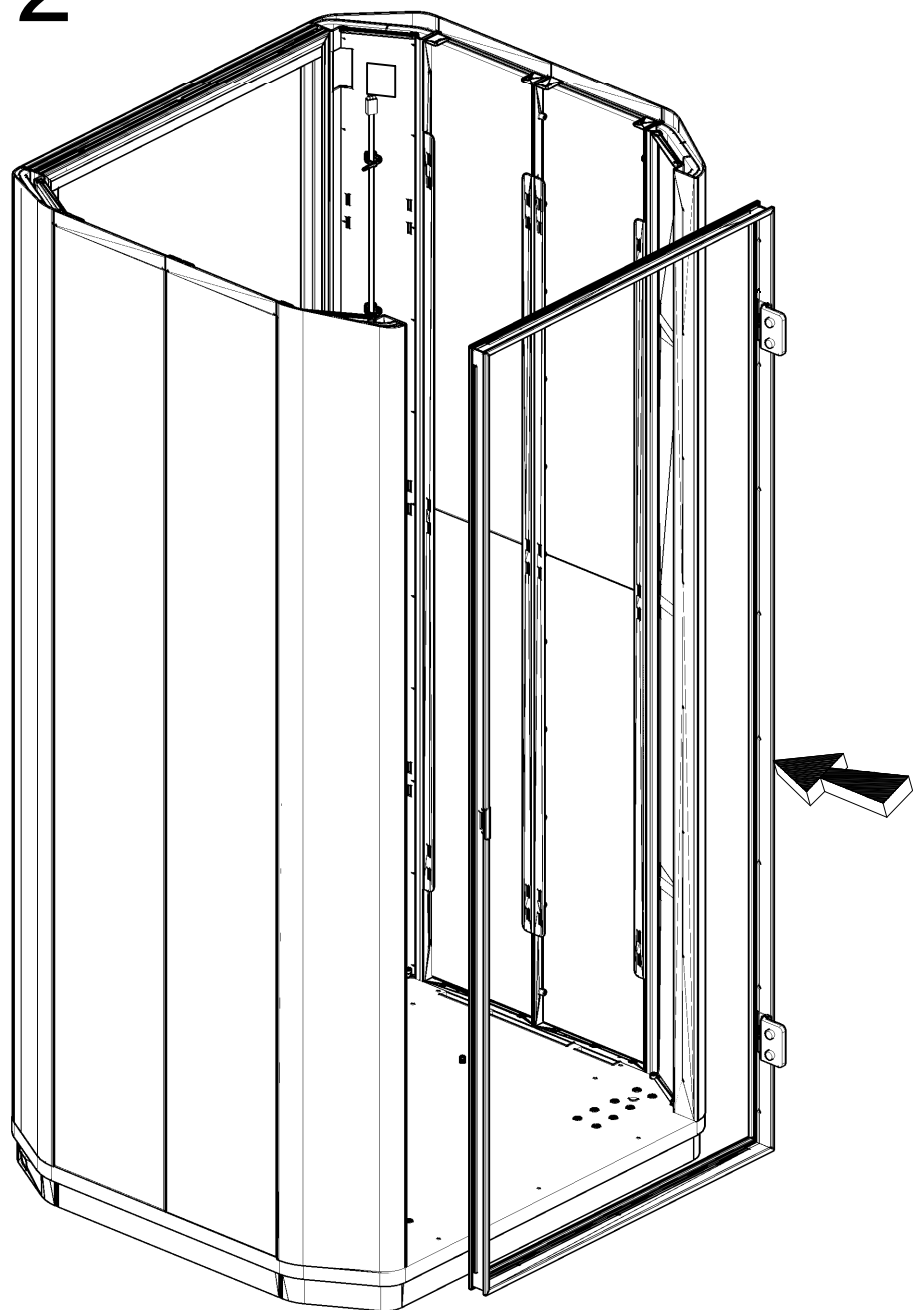


11

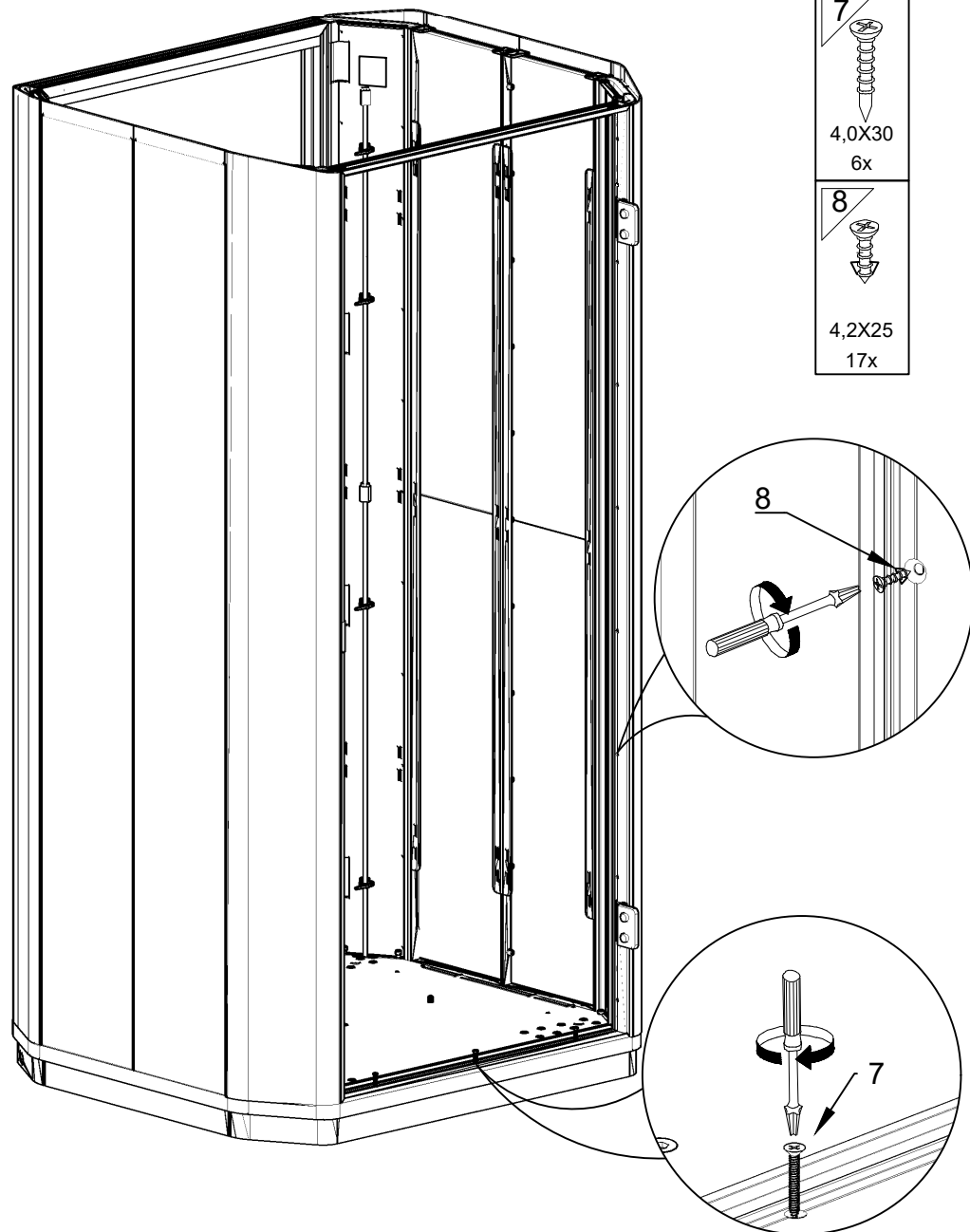




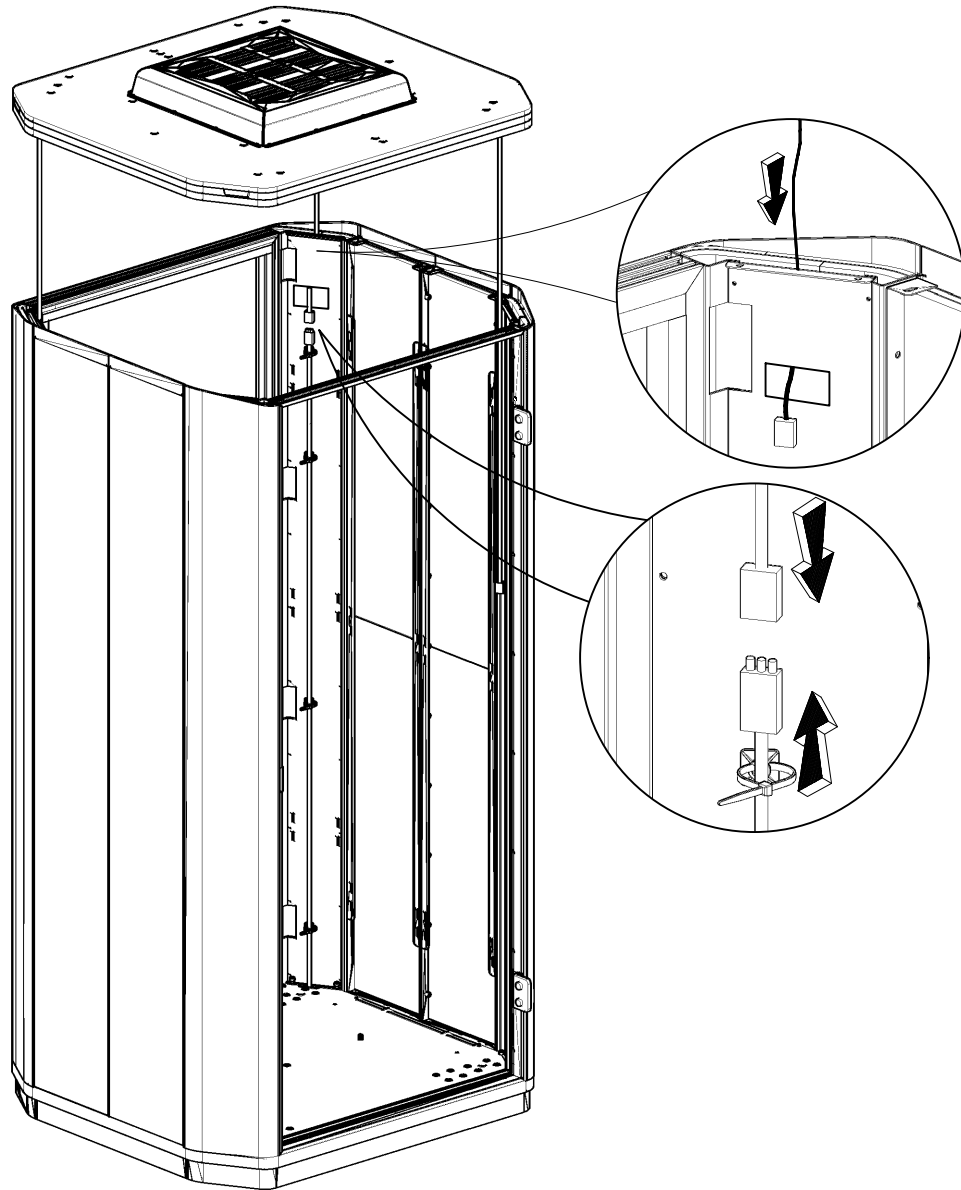
# 12



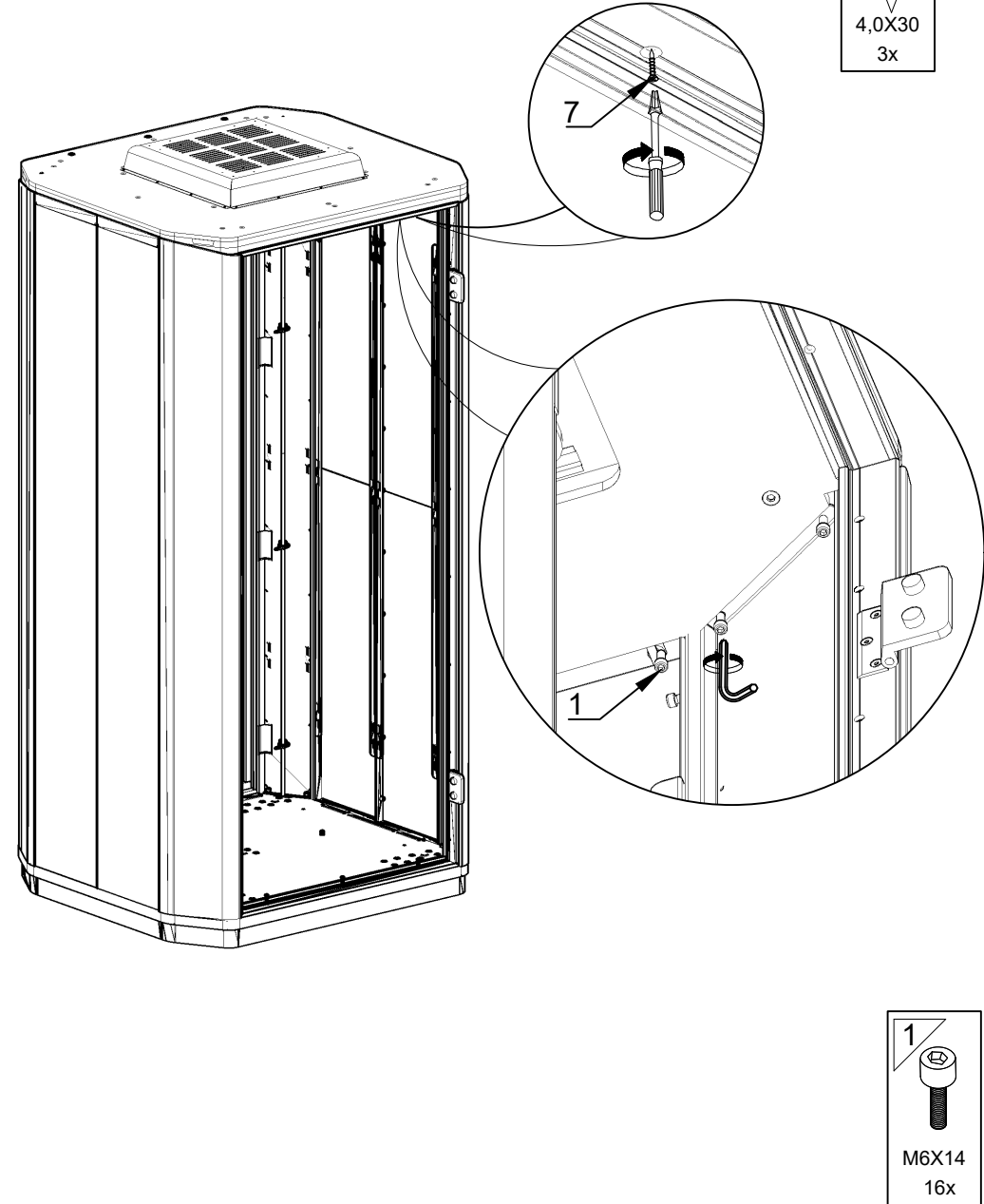
# 13



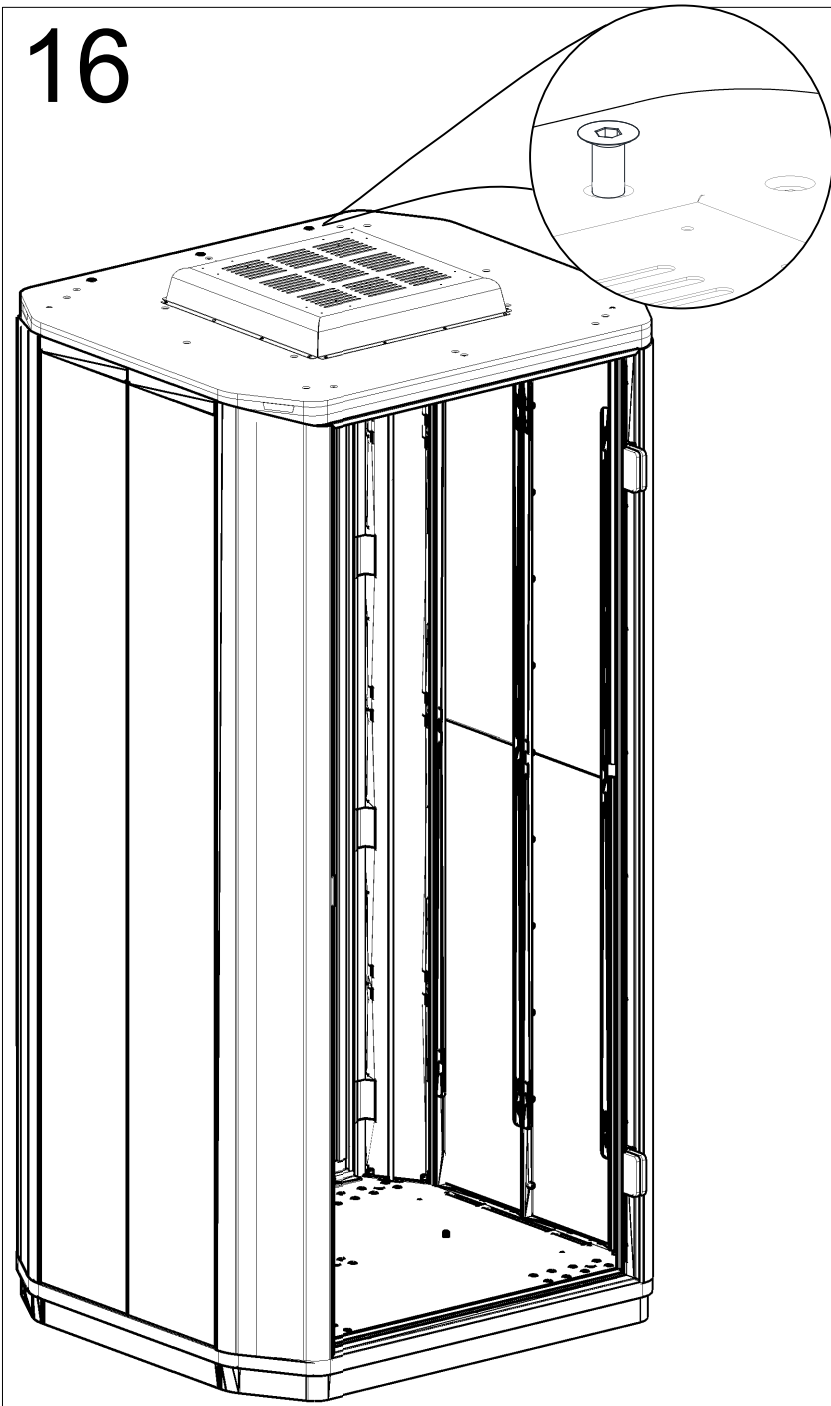
# 14



# 15

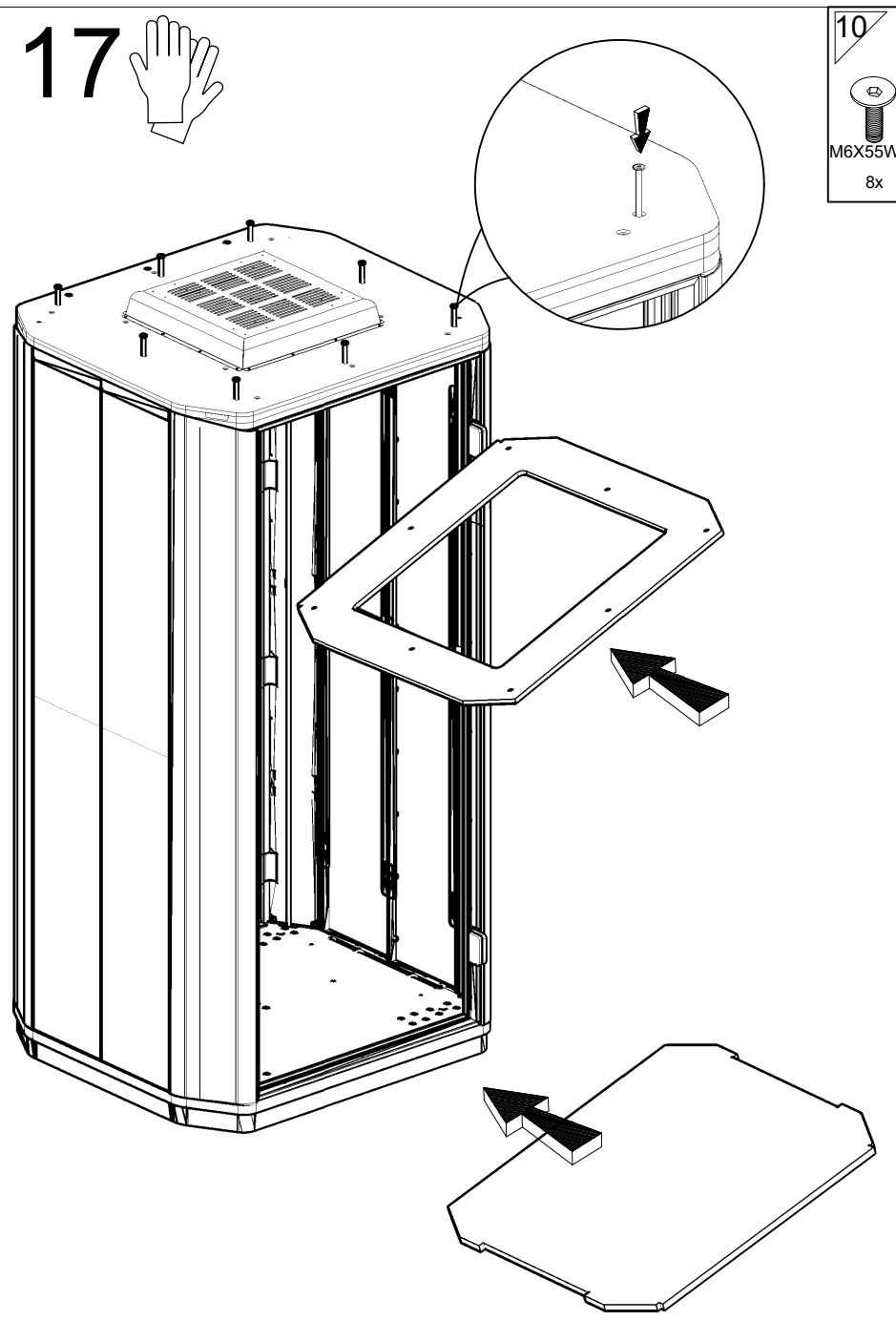
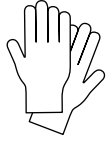


# 16




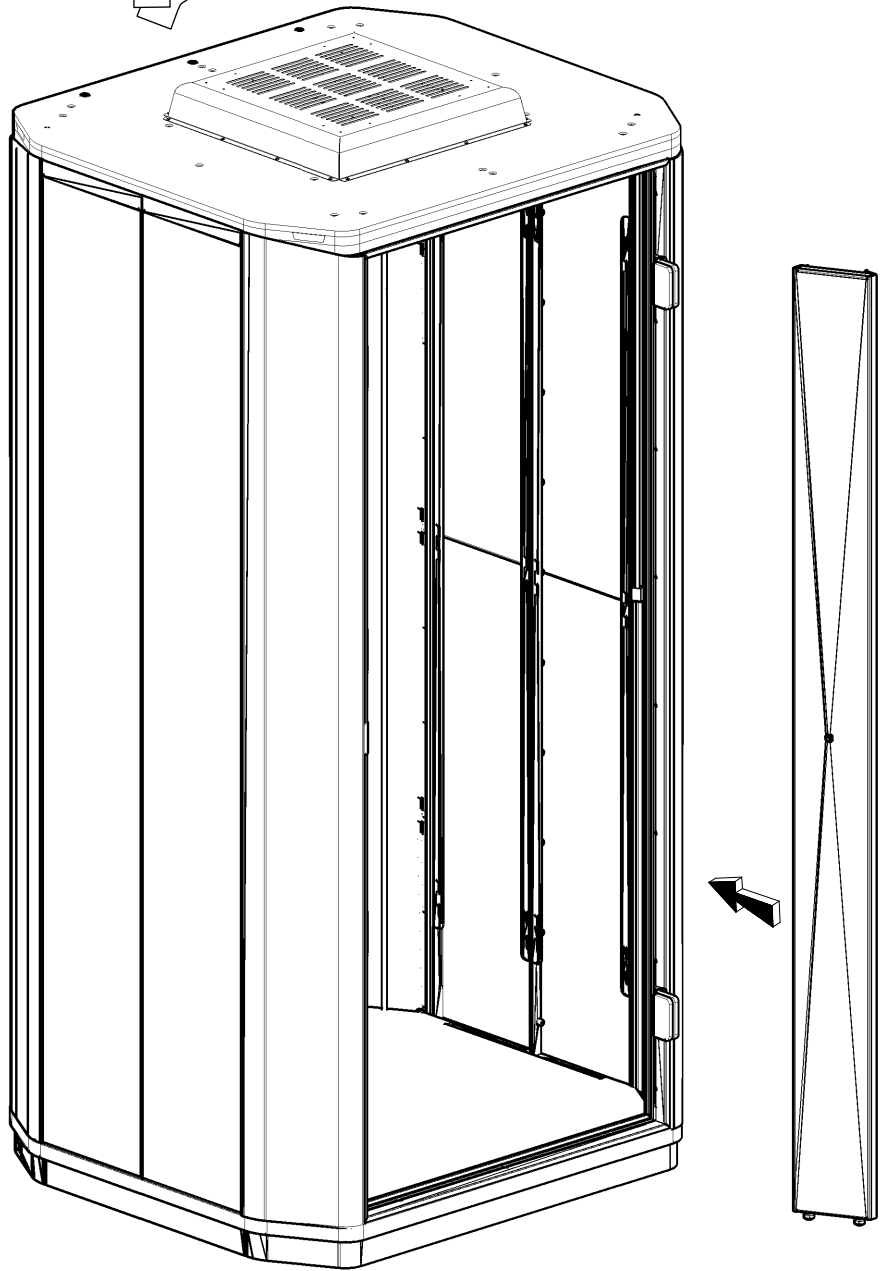
9  
M6X65WWW  
3x


# 17

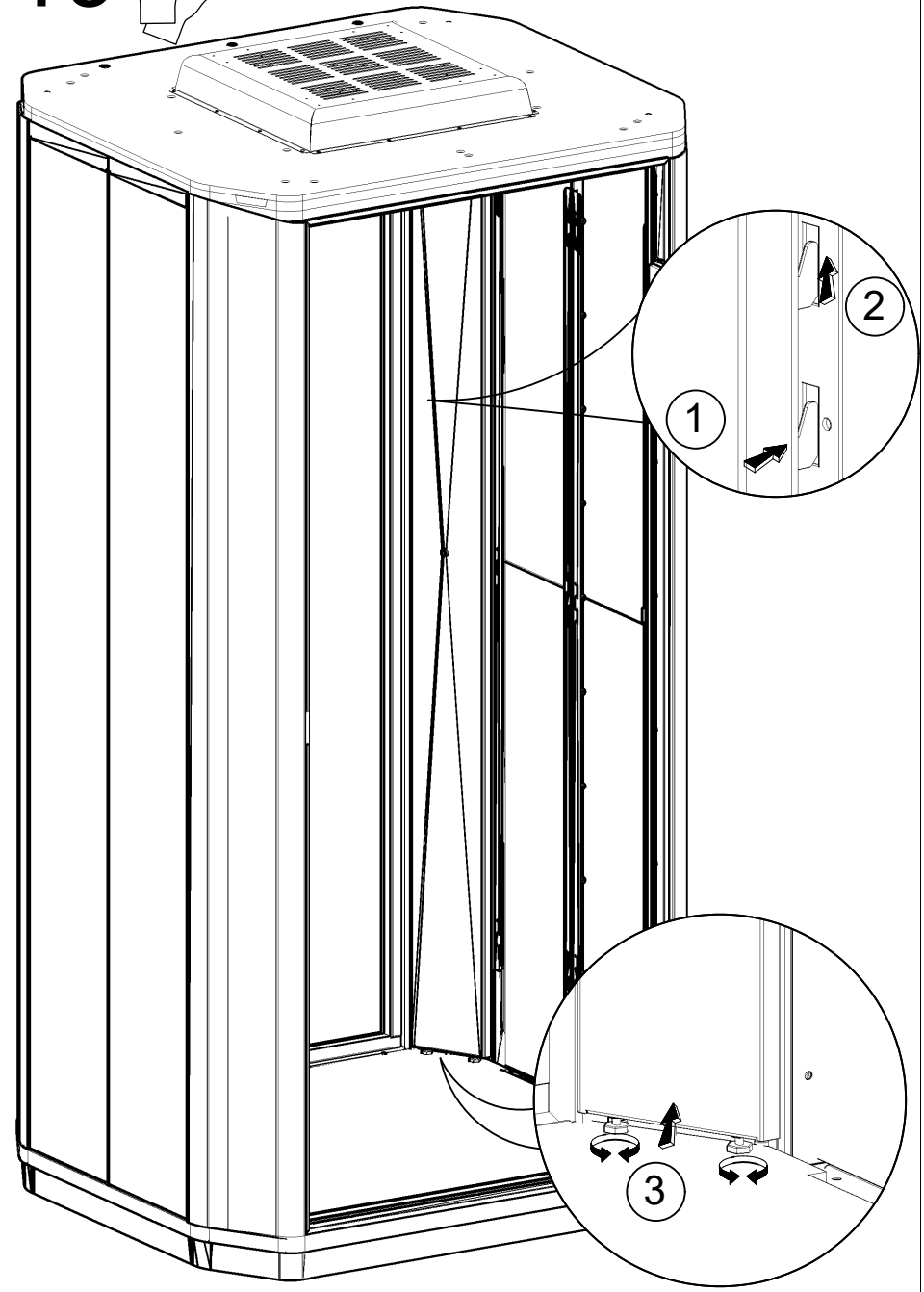



10  
M6X55WWW  
8x

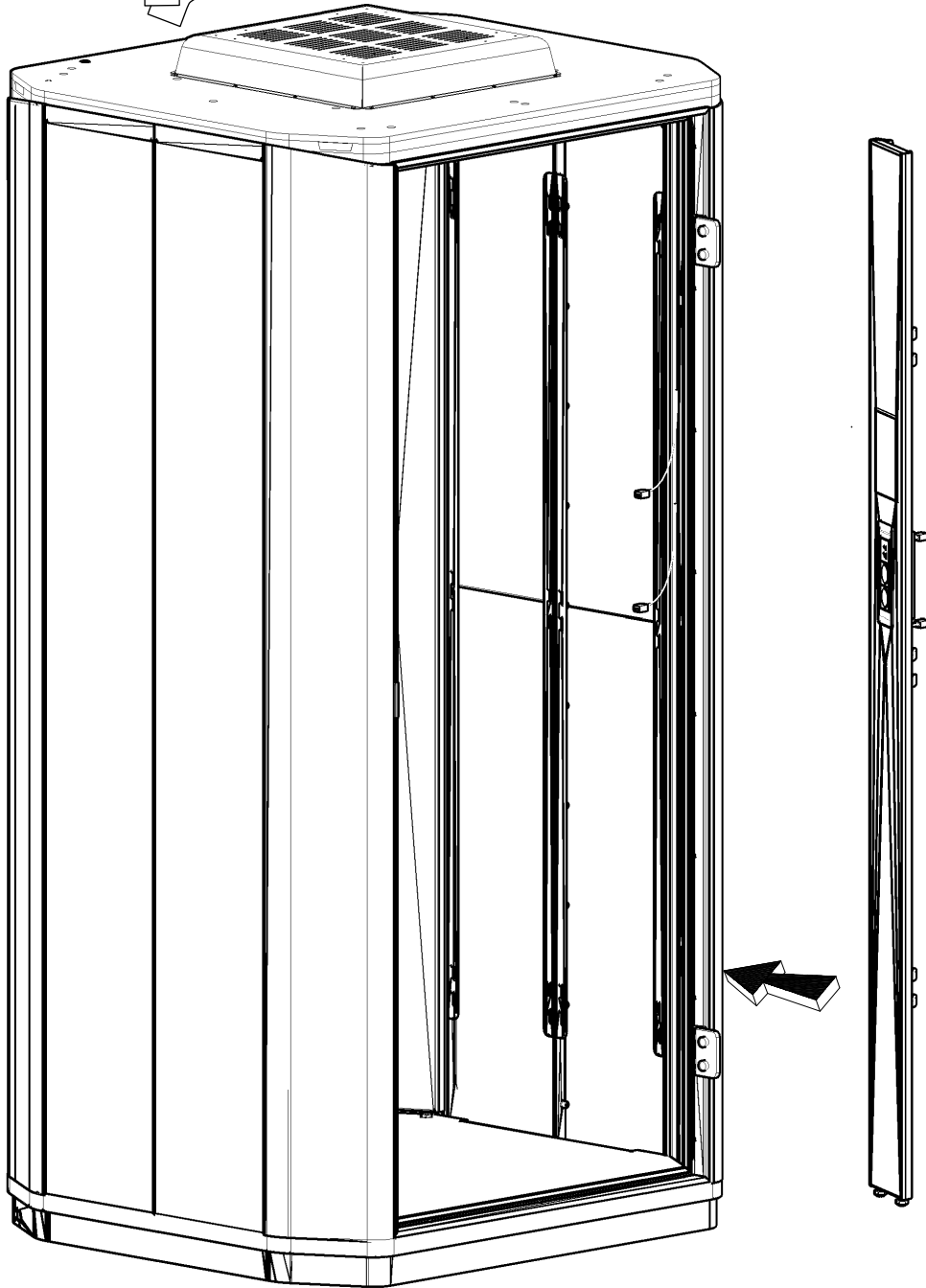
18 




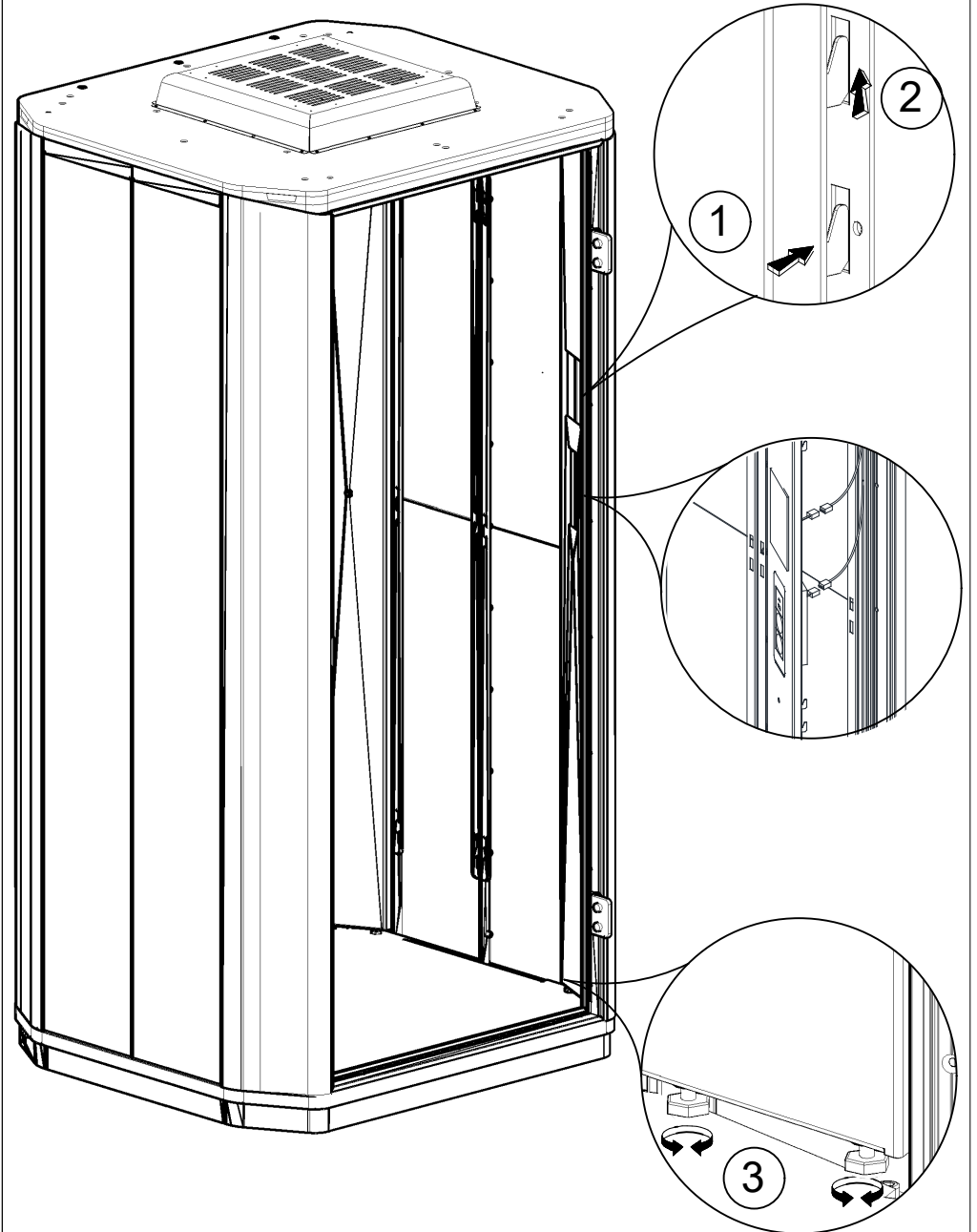
19 



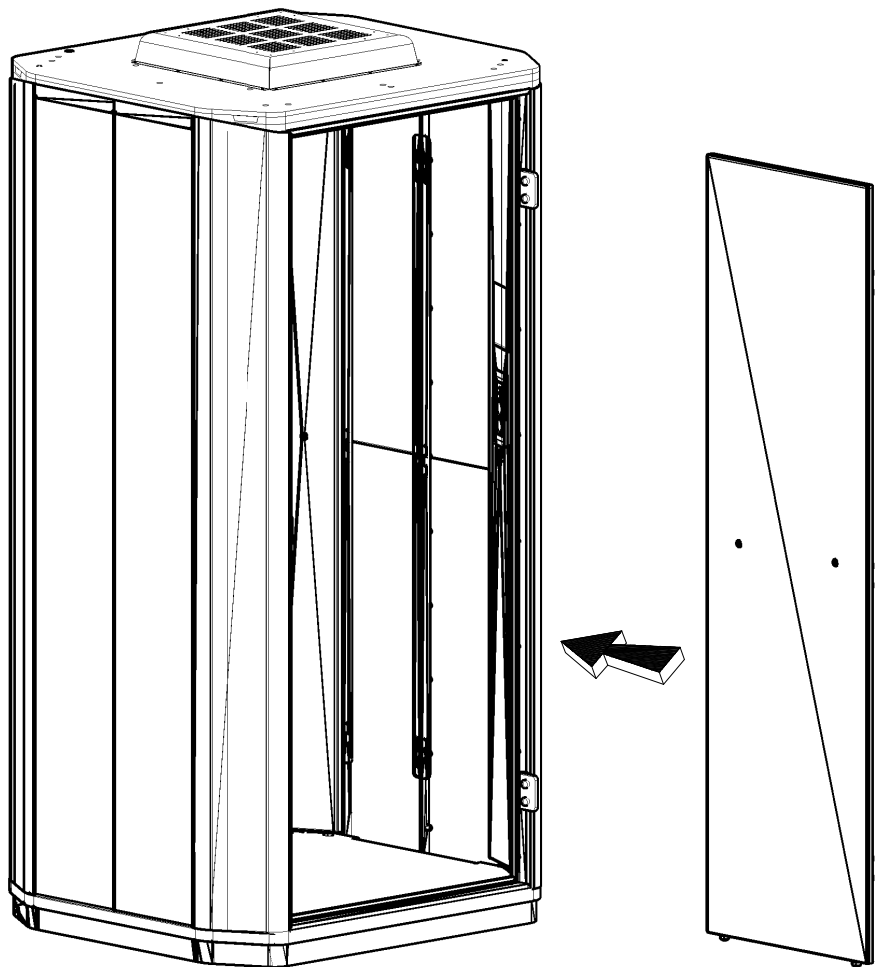
20 



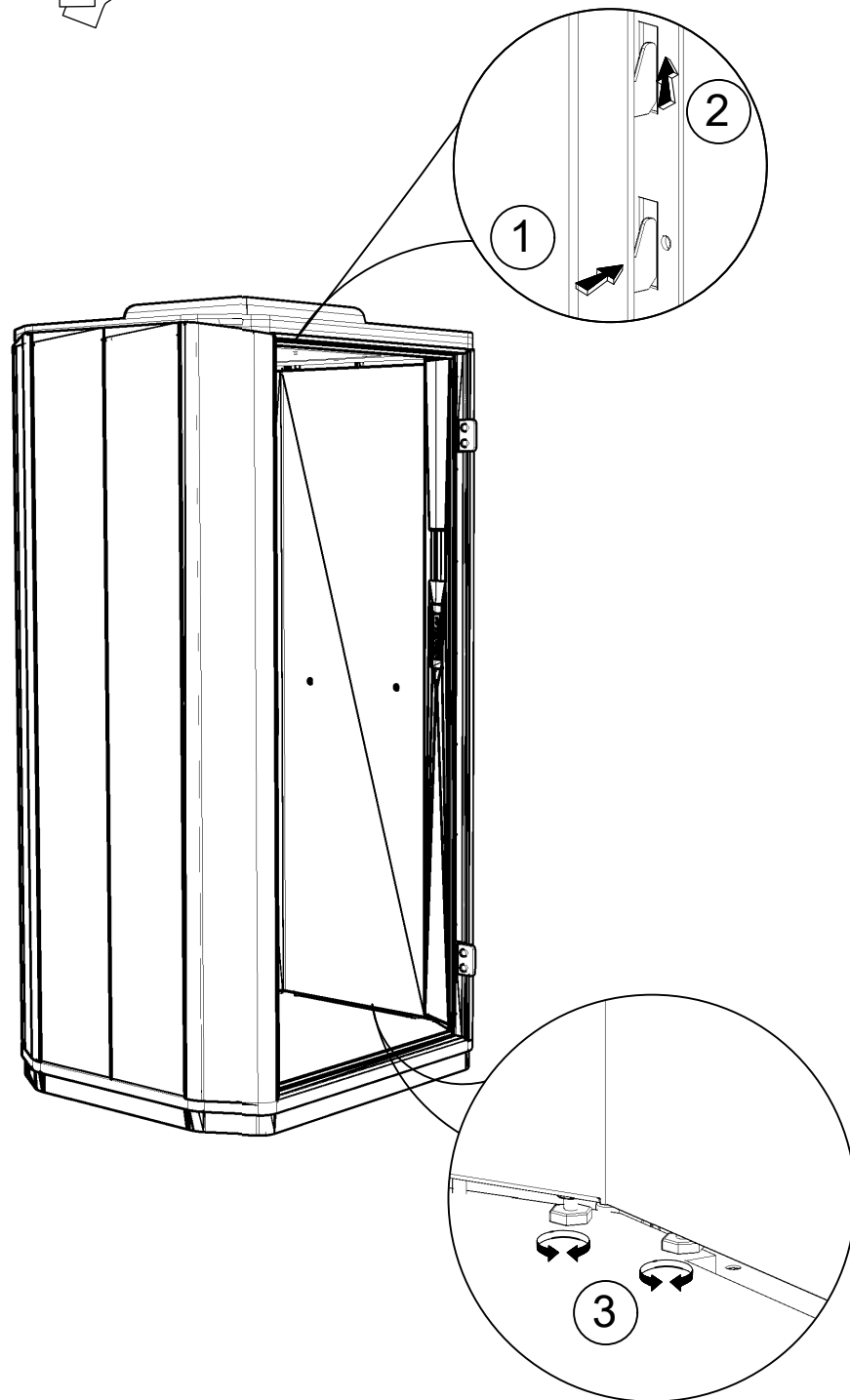
21 



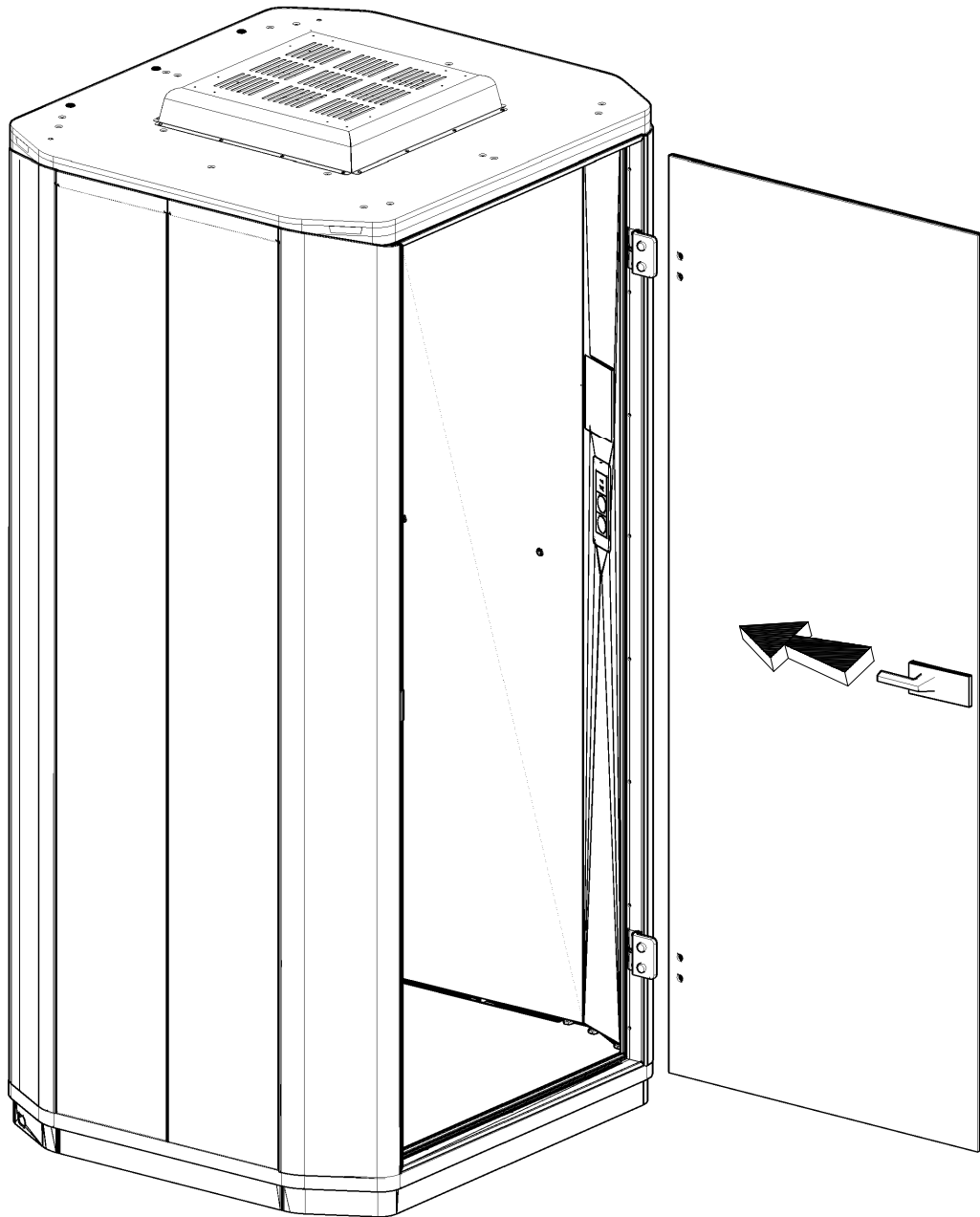
22 



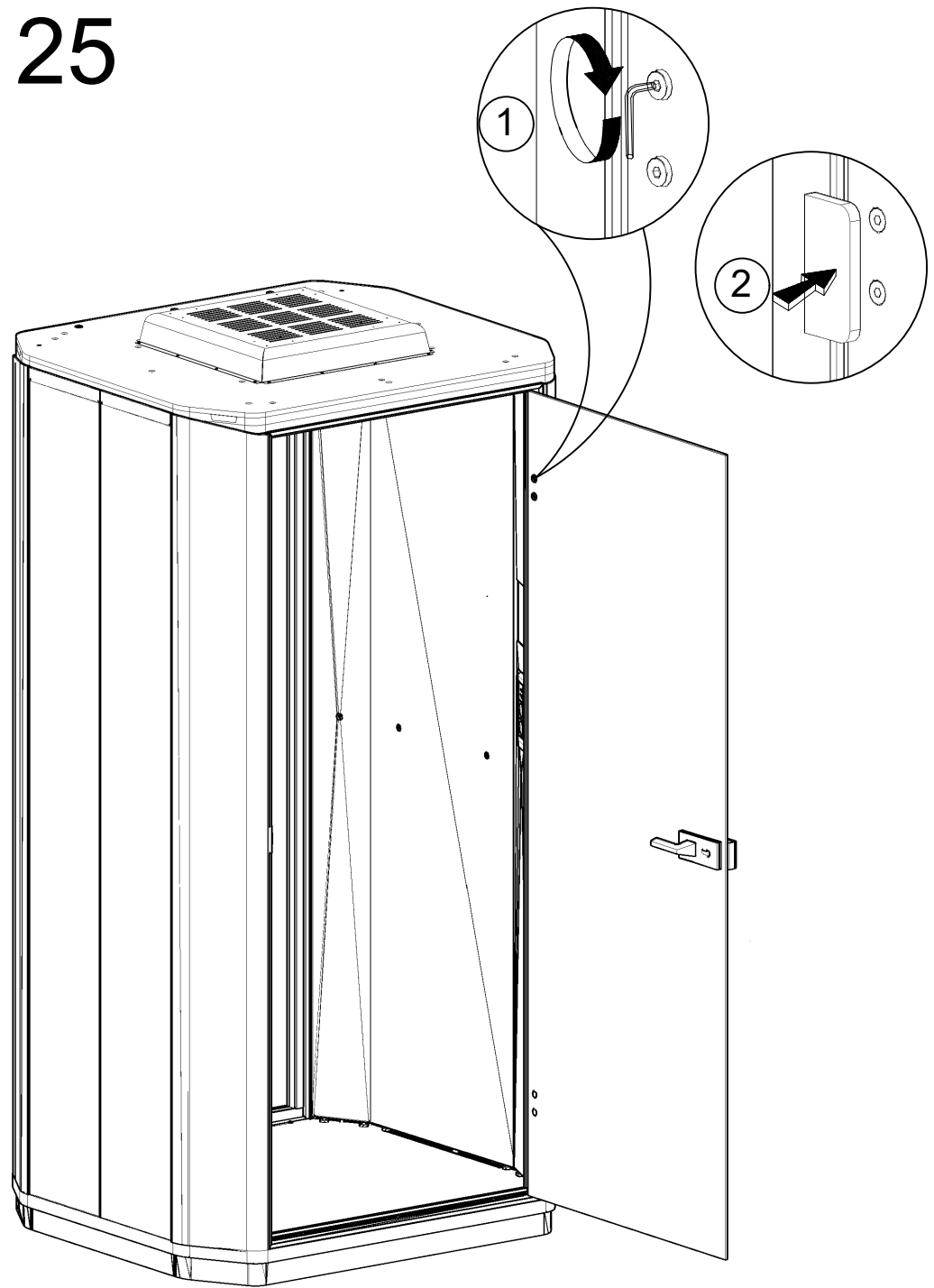
23 



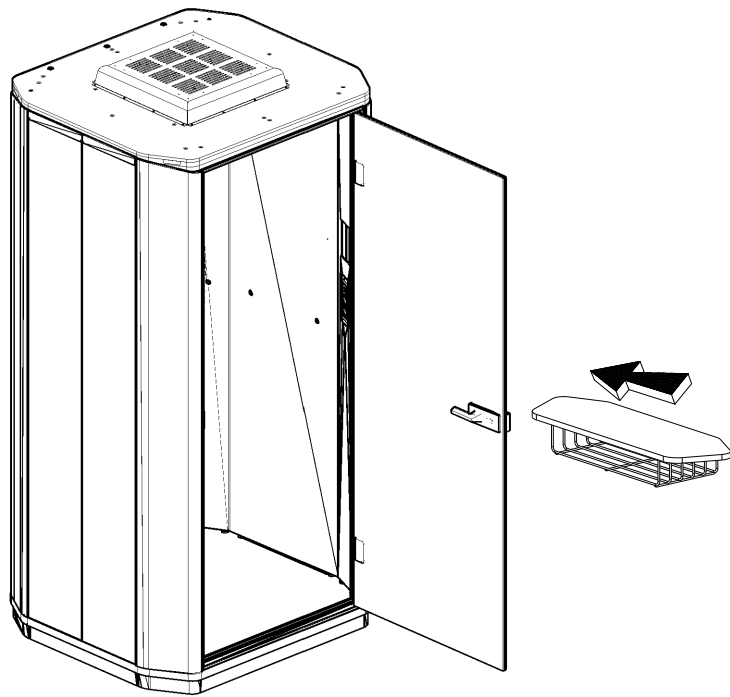
24



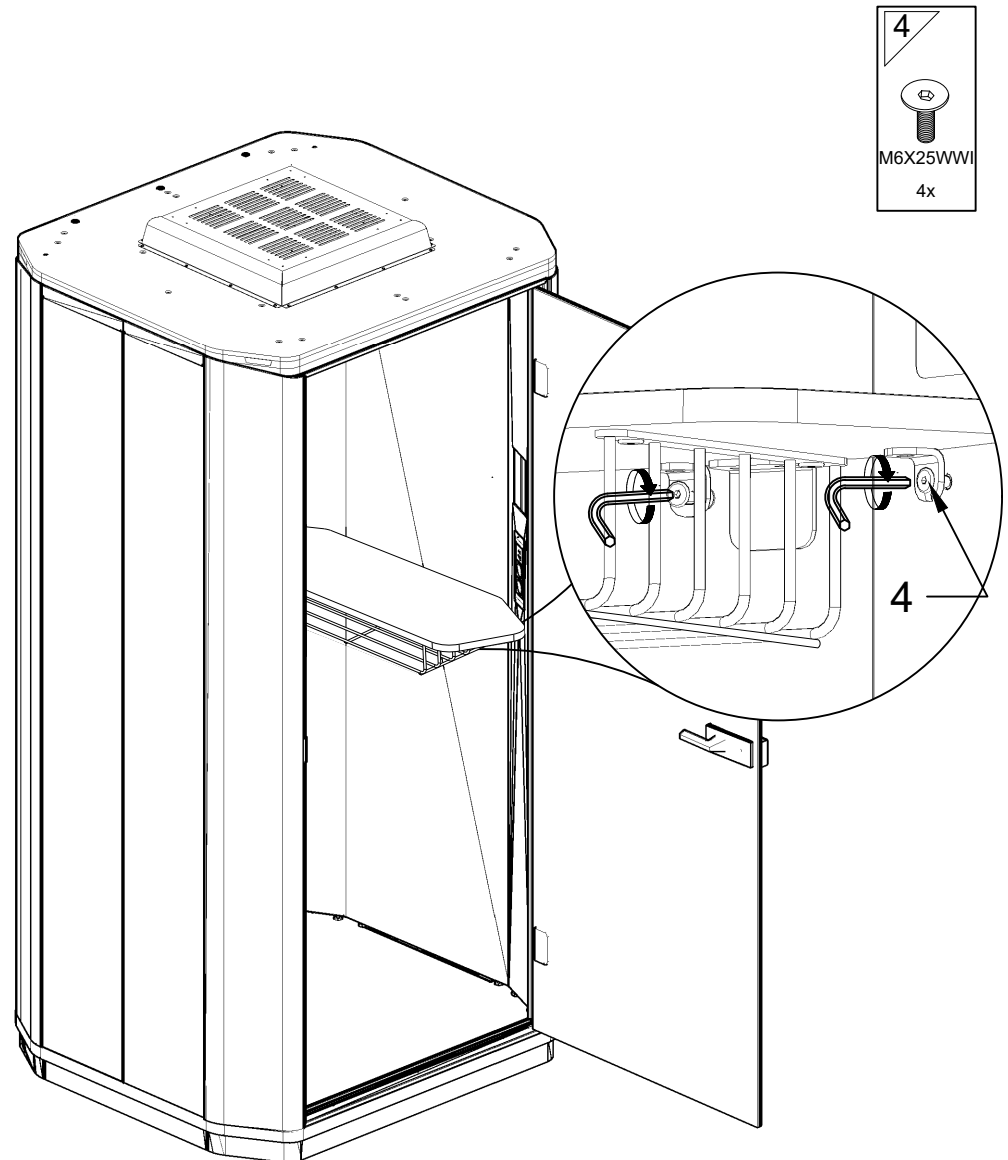
25



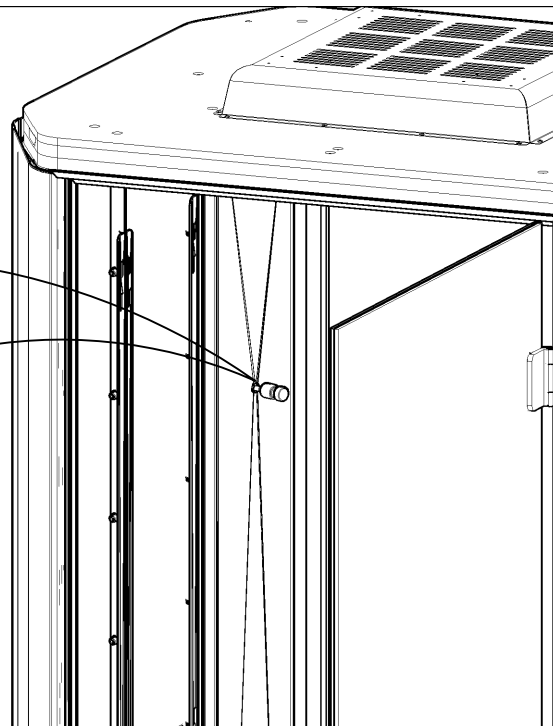
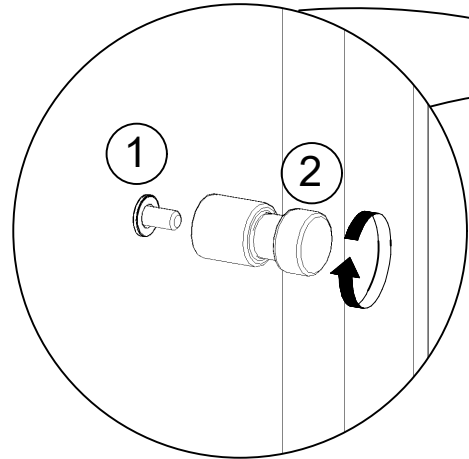
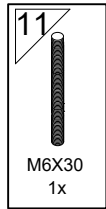
26



27

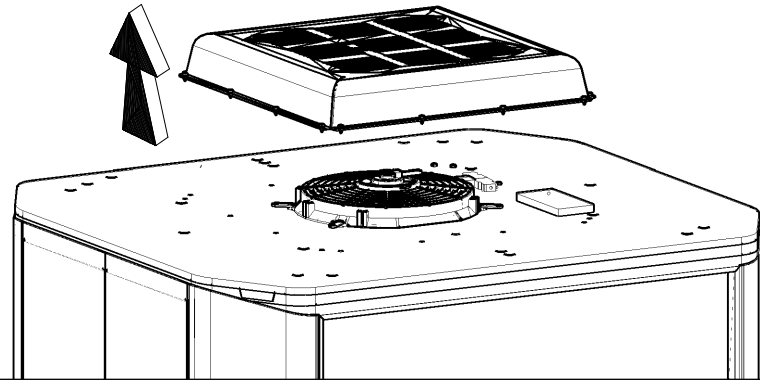


28

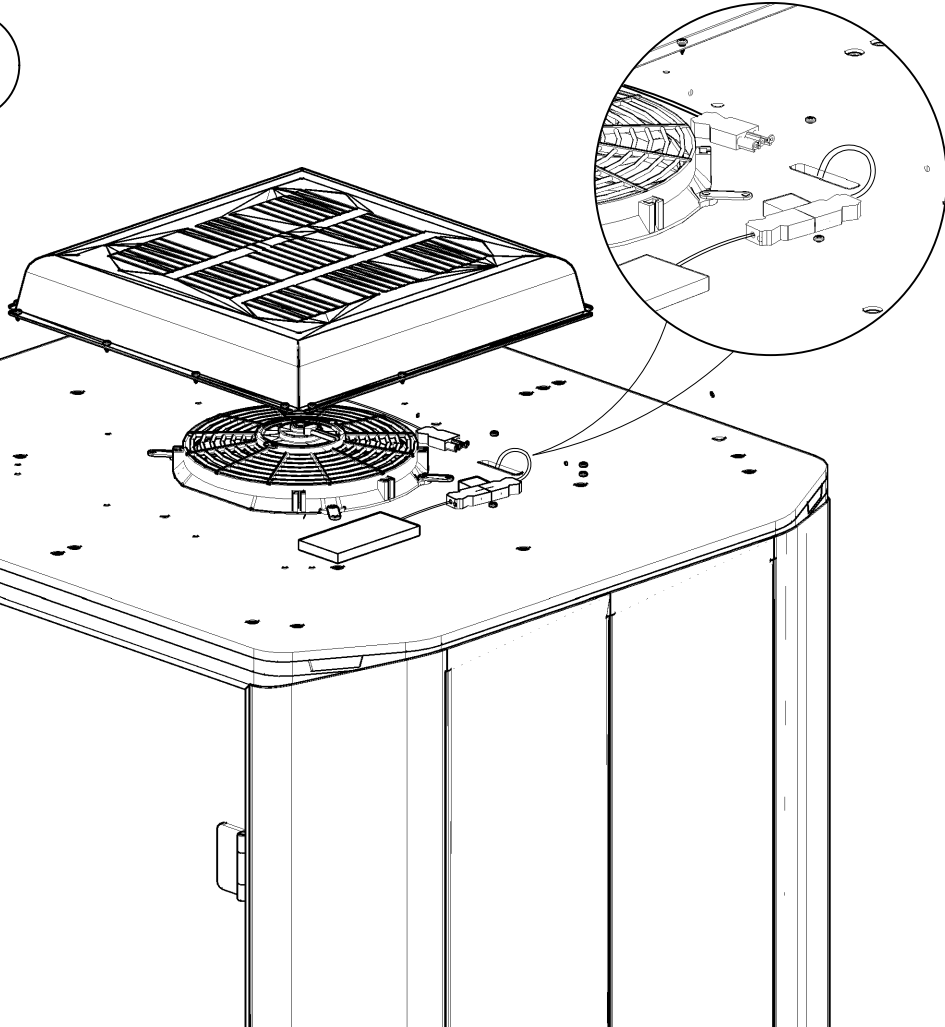




30



A



A

