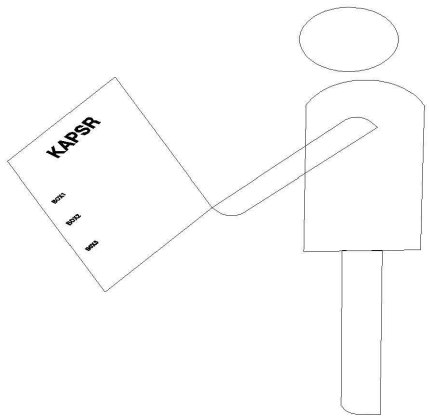
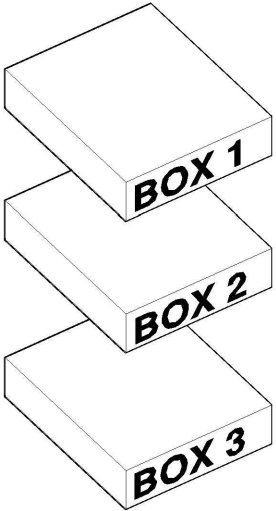
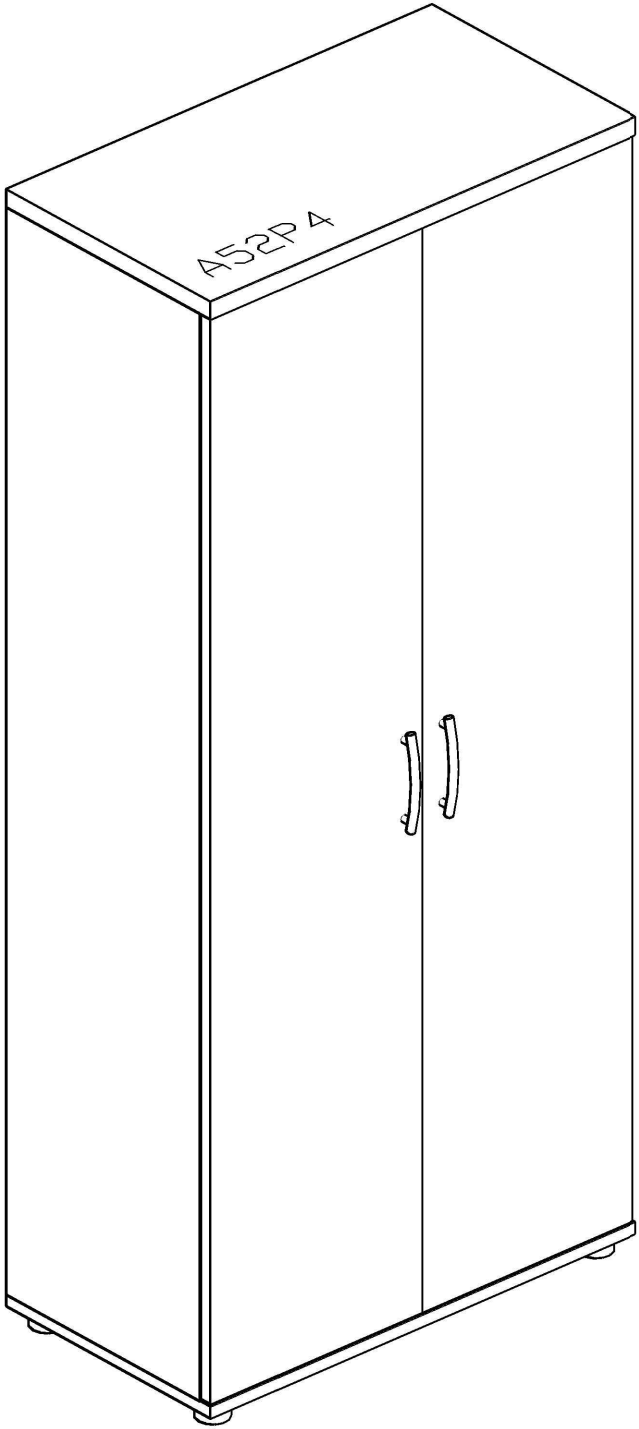
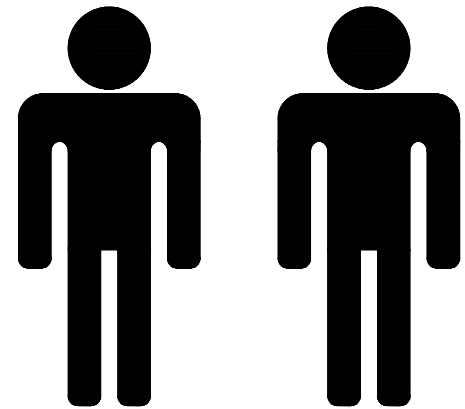
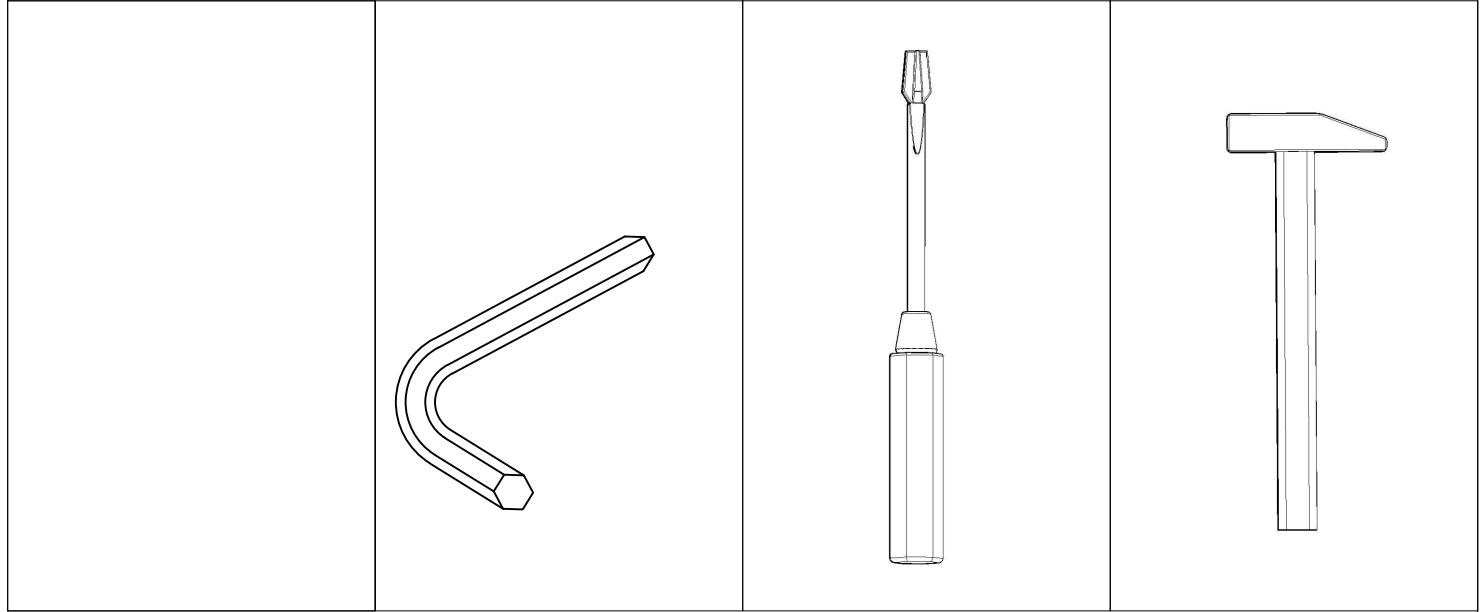
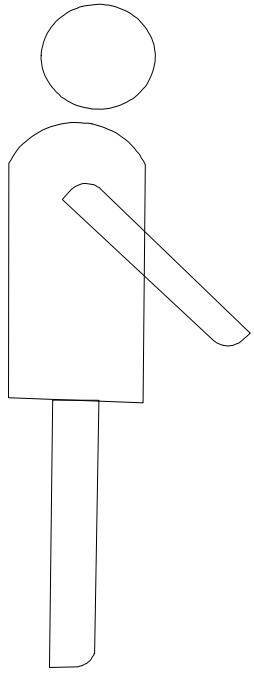
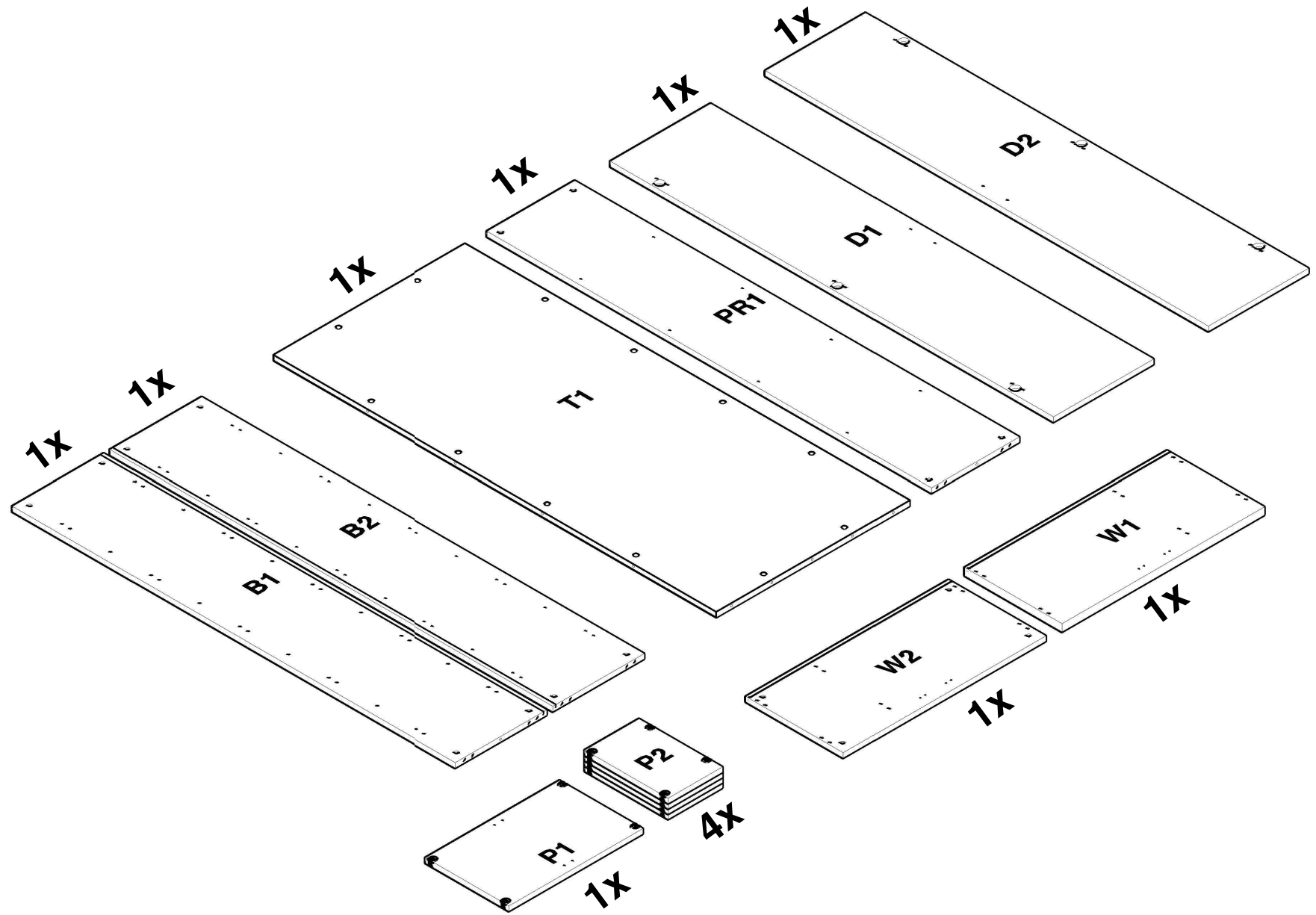


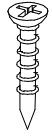
A52P4



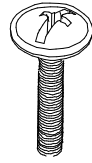


2

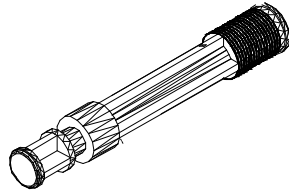




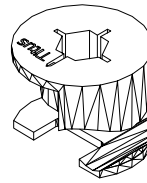
8x



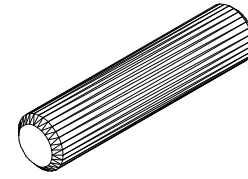
4x



24x



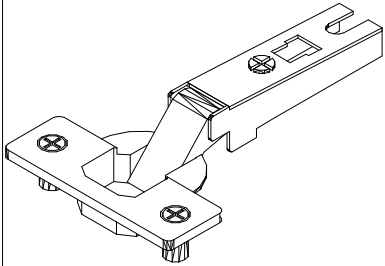
24x



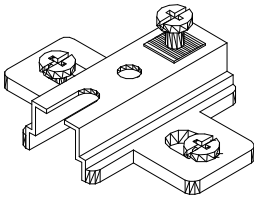
22x



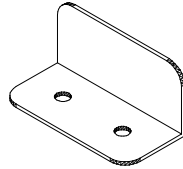
20



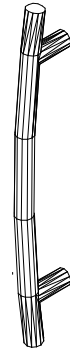
6x



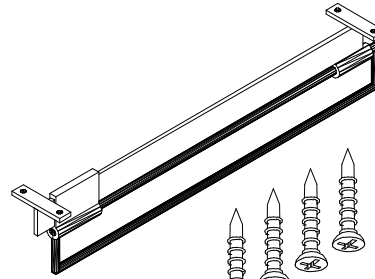
6x



2x

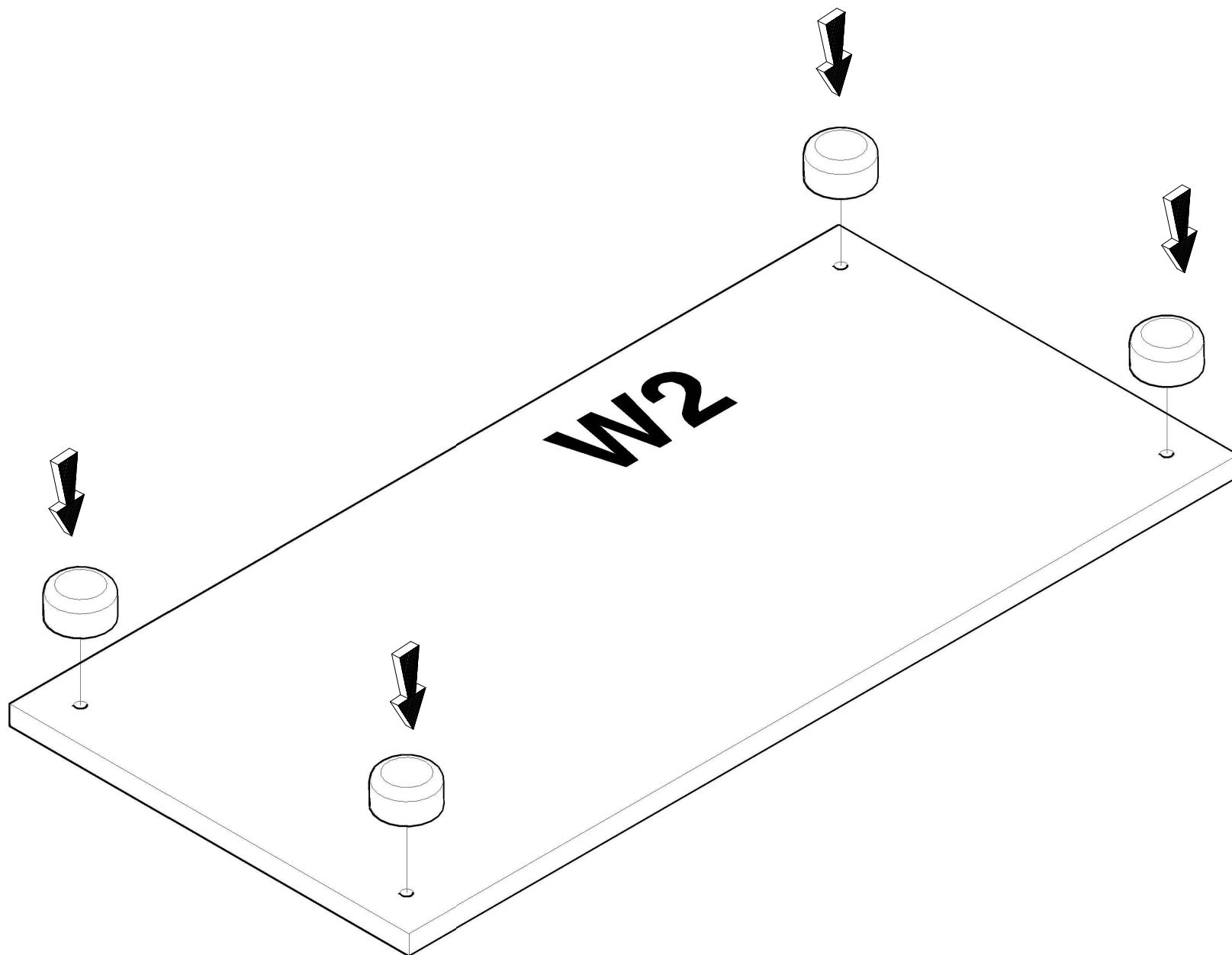


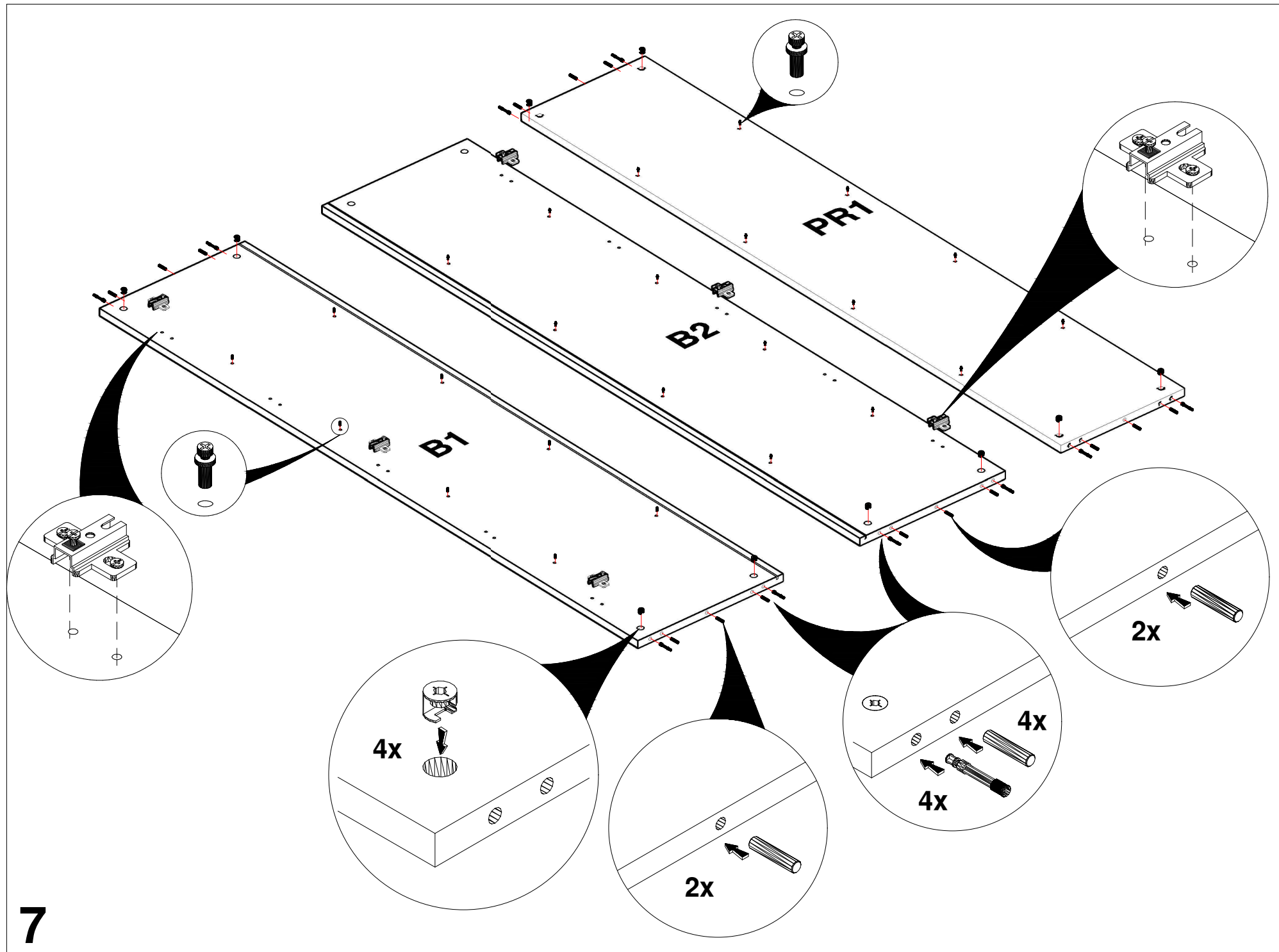
2x

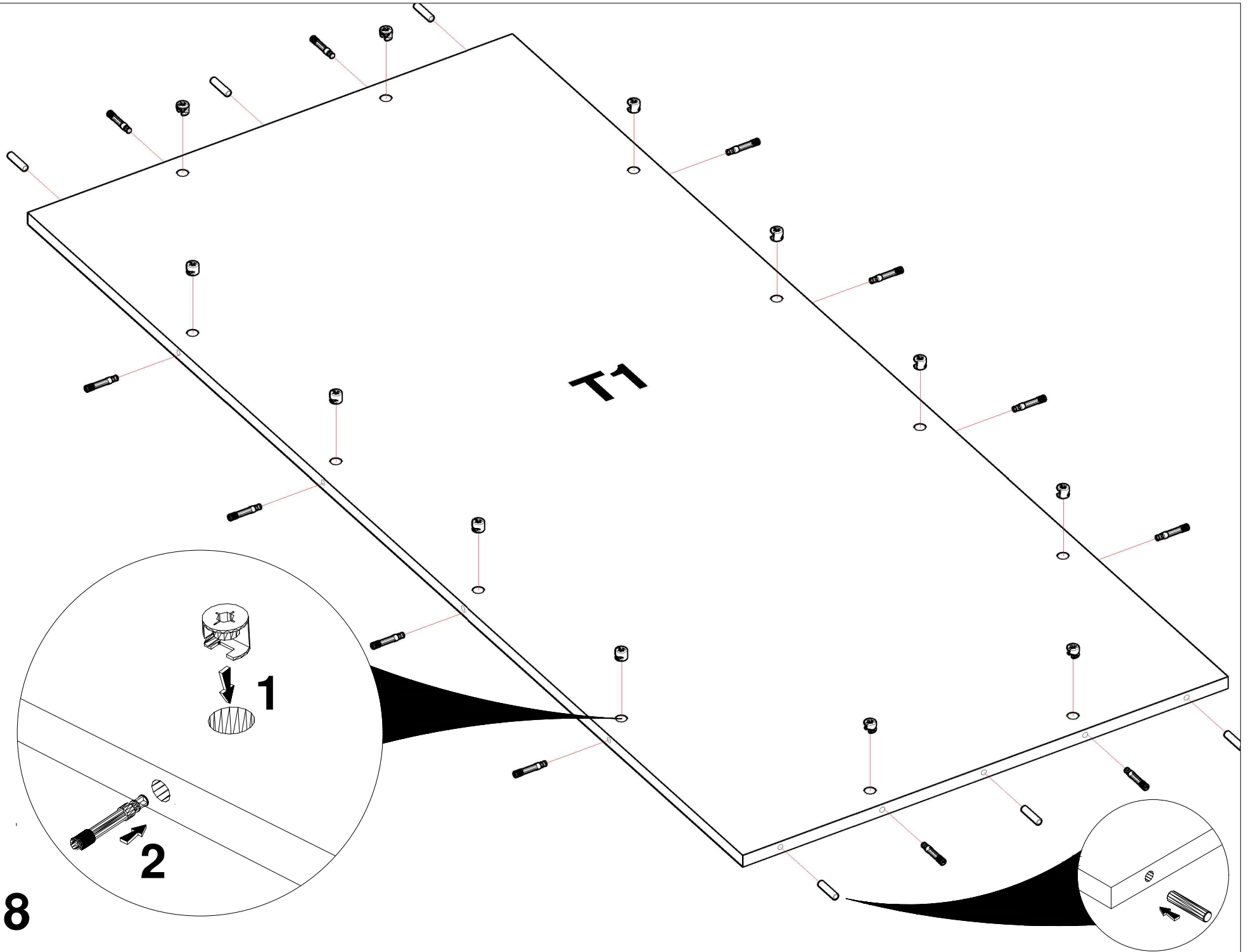


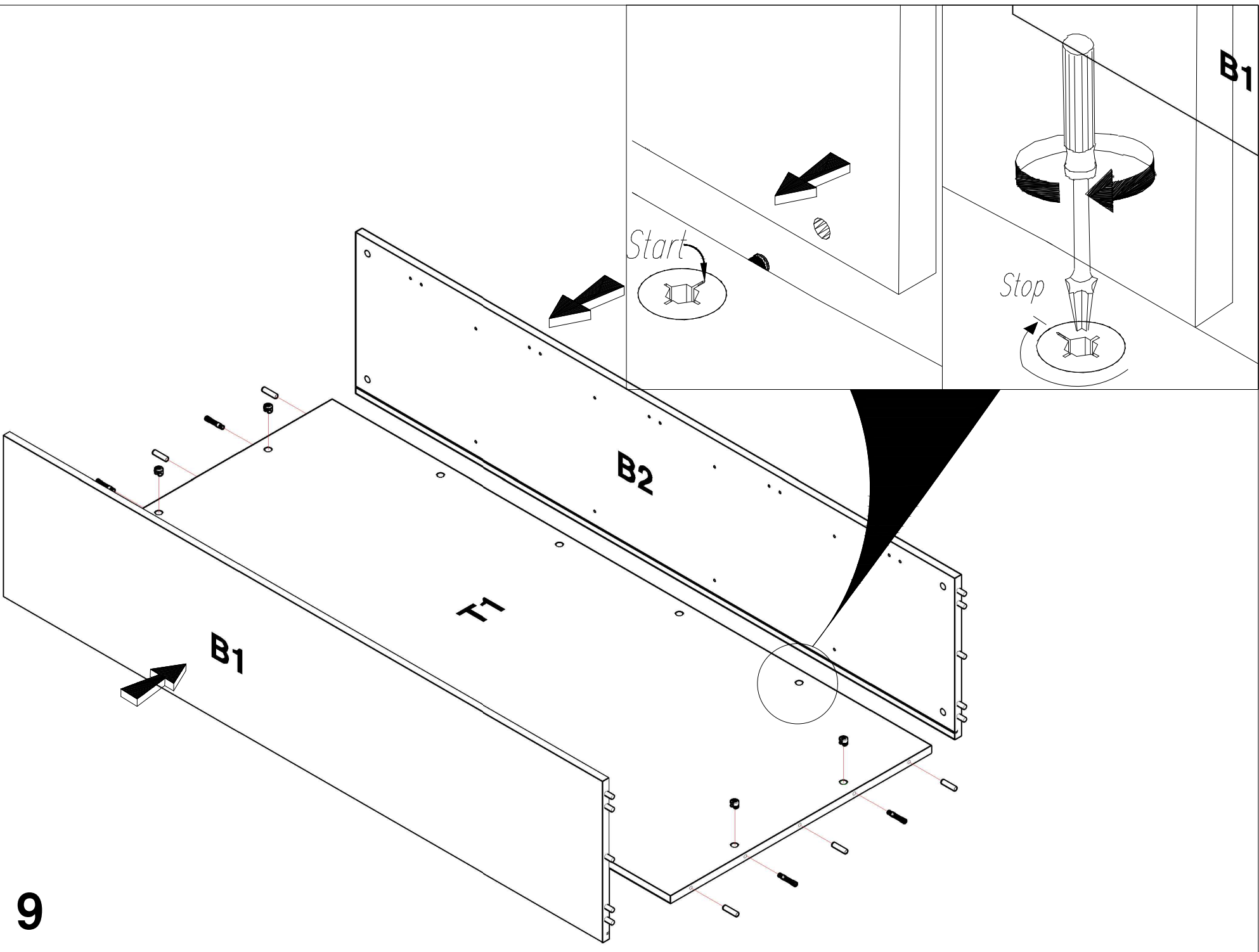
1x

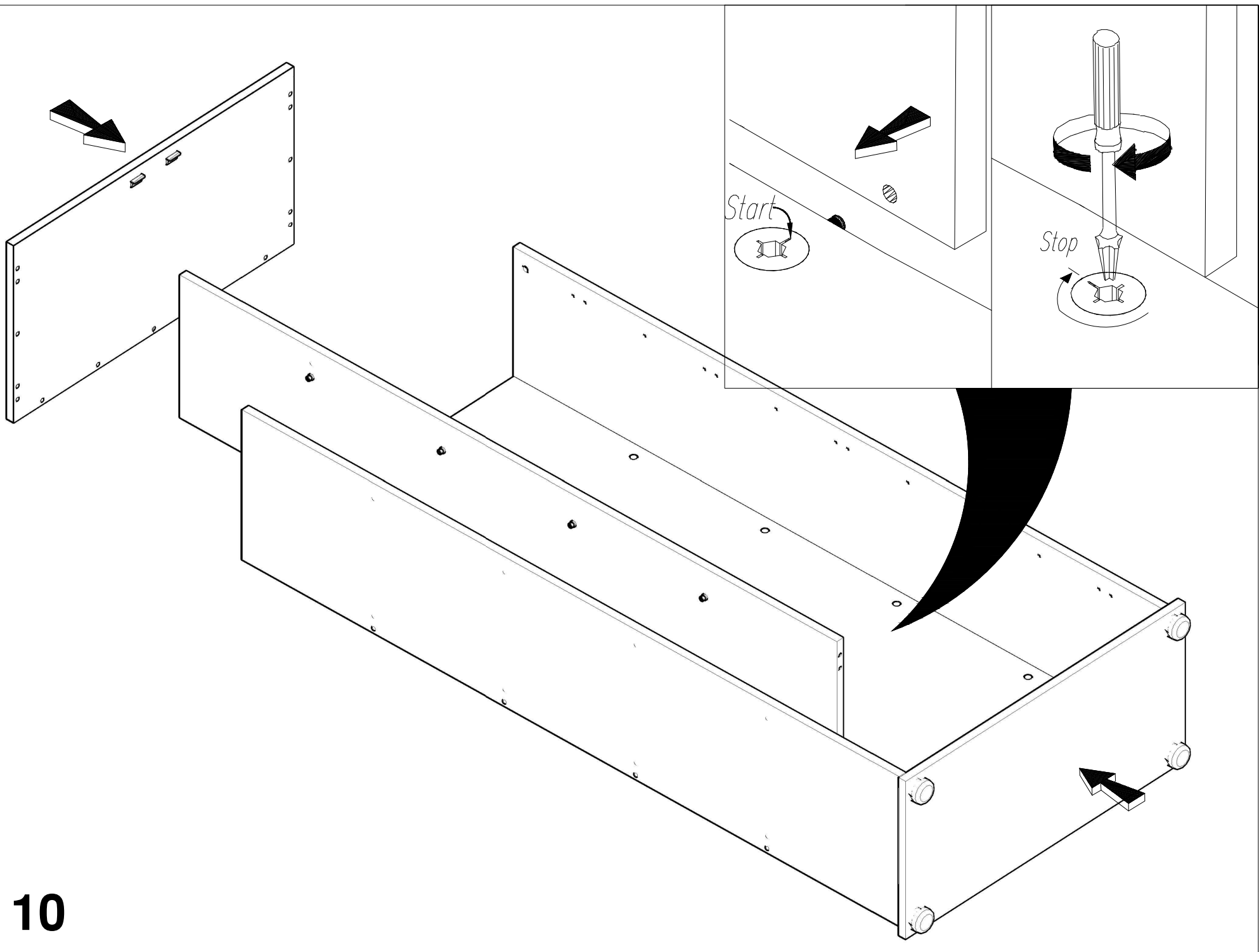




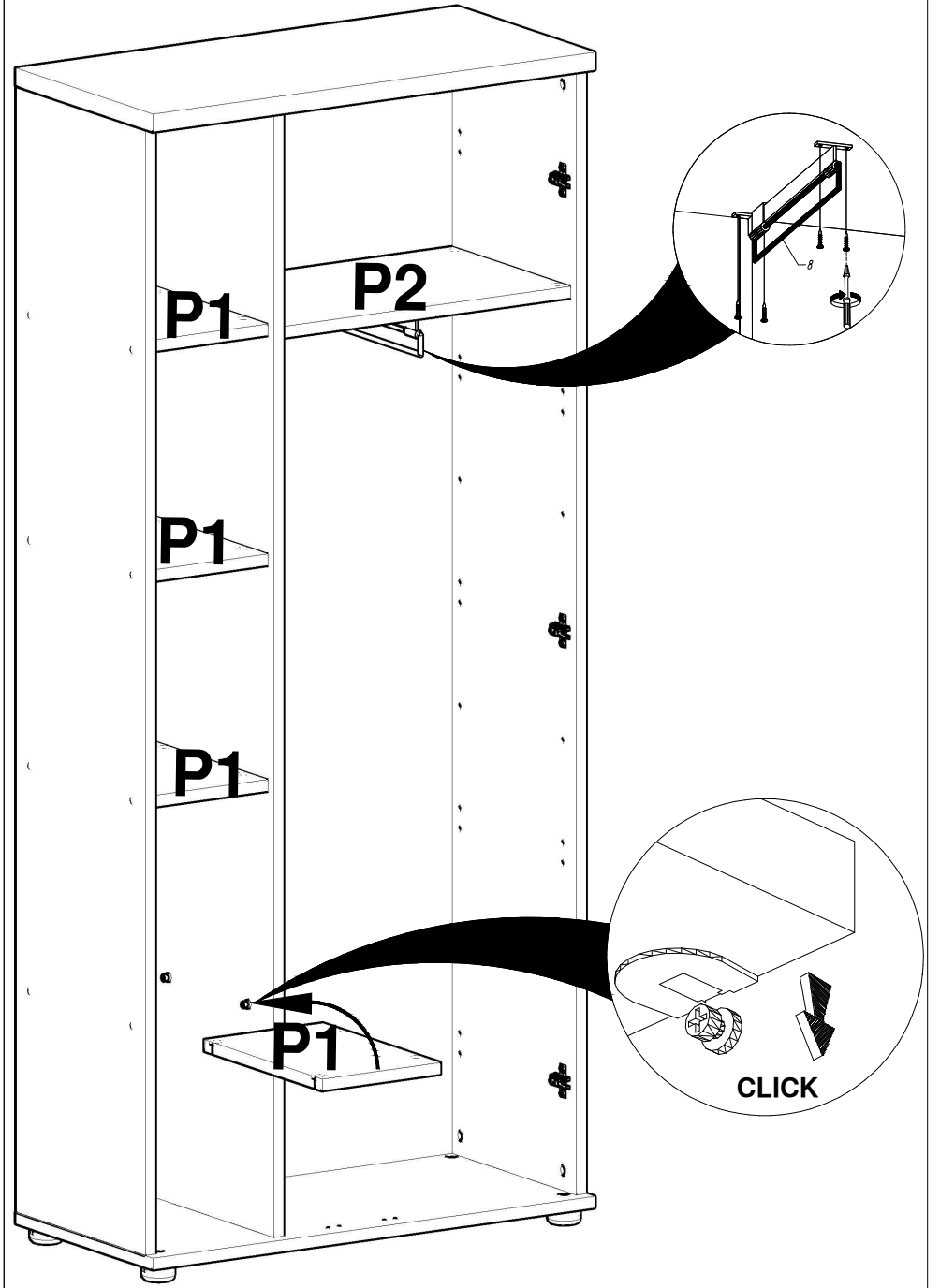
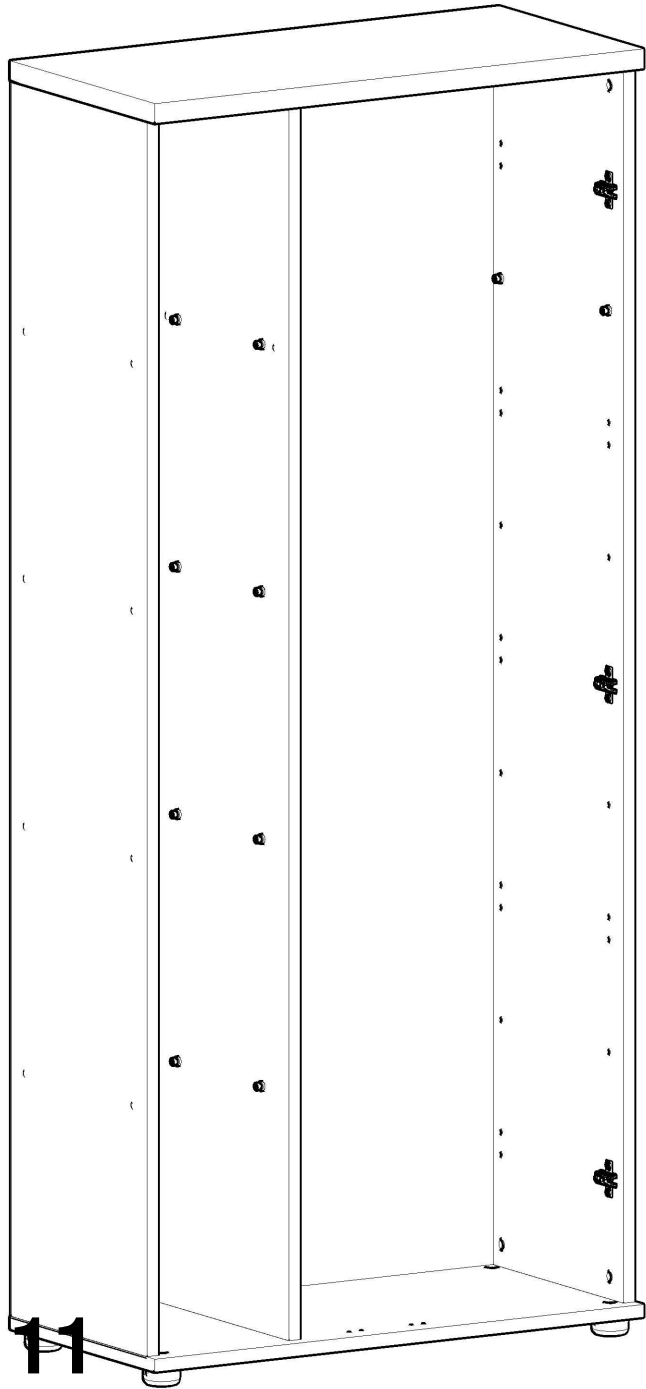


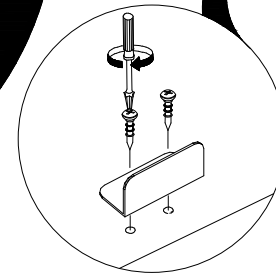
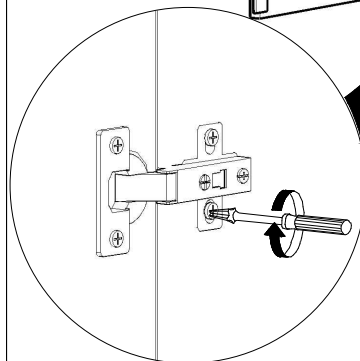
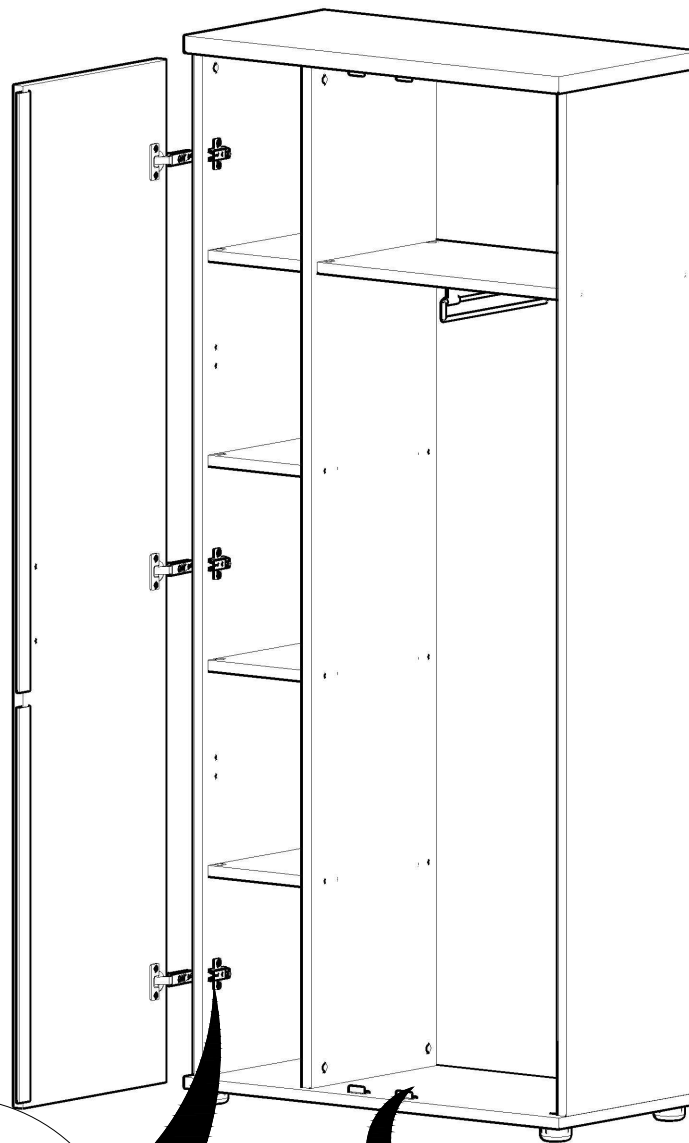
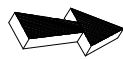
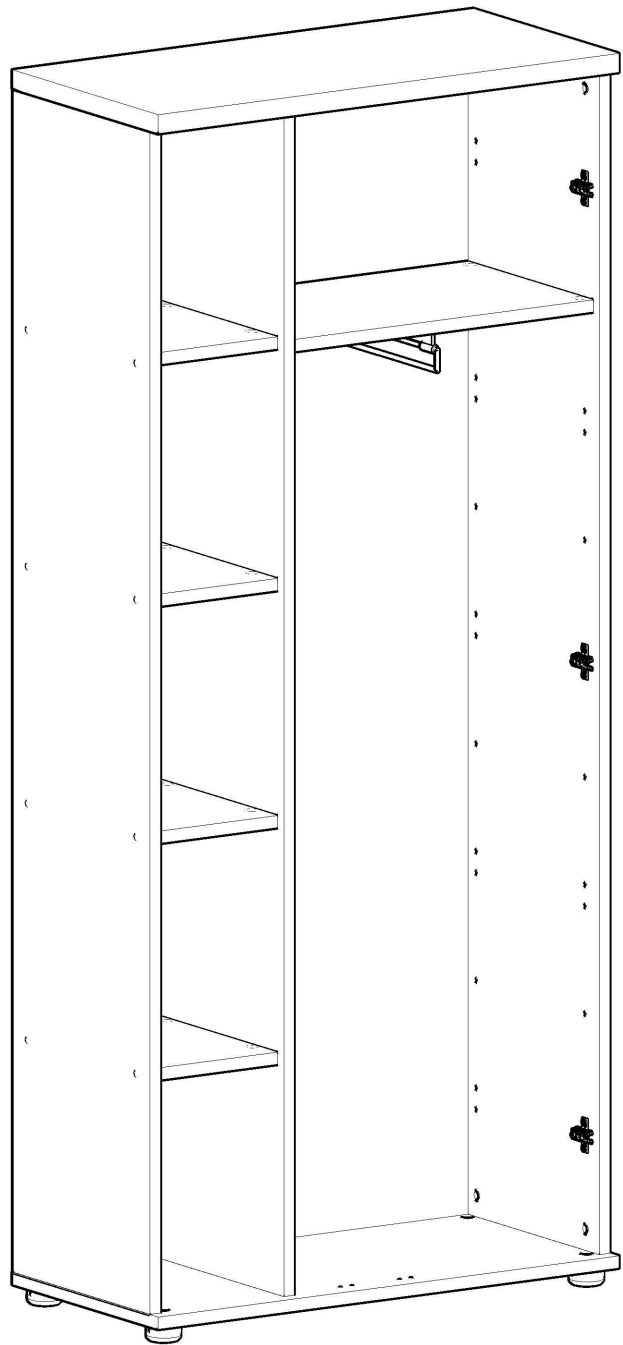




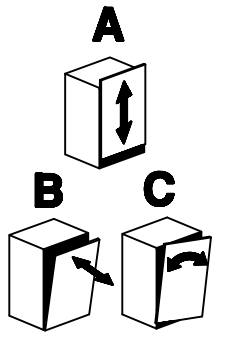
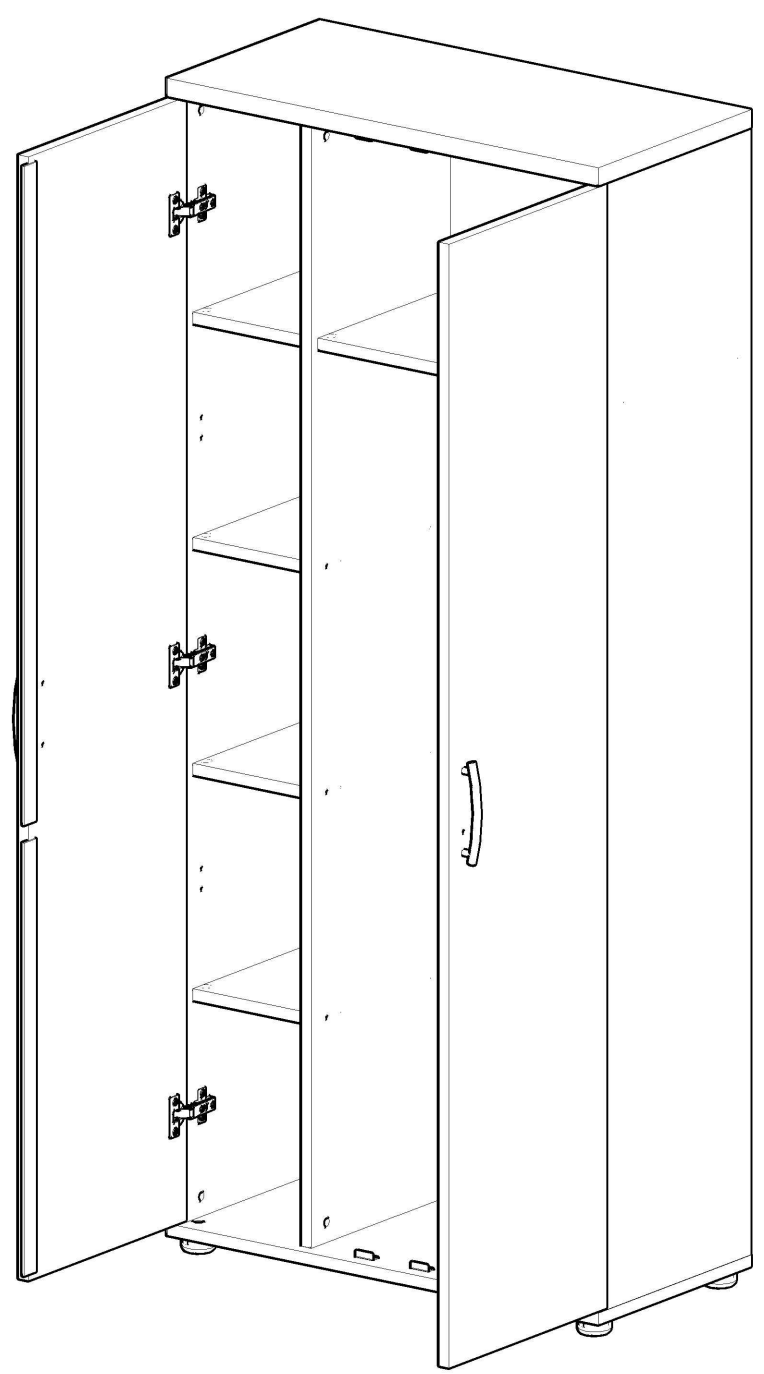
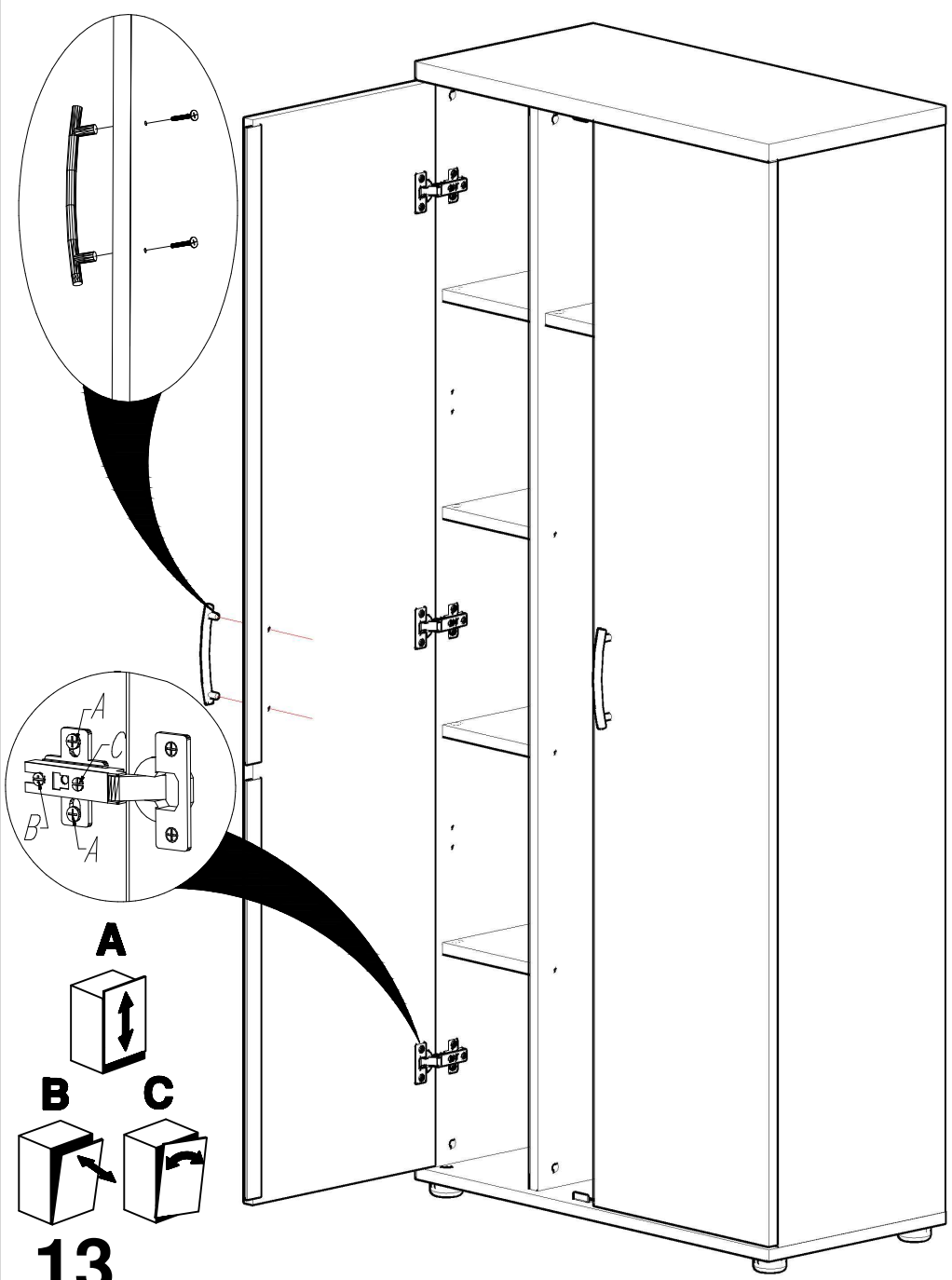


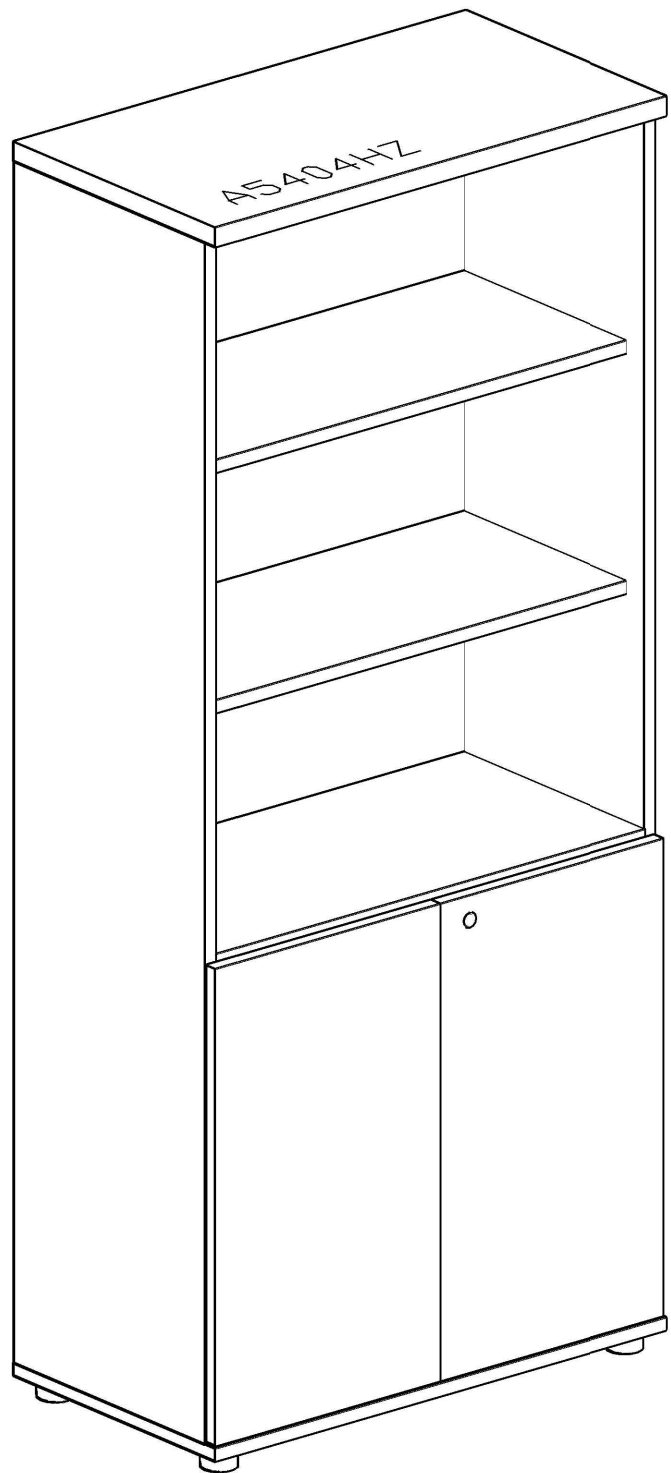
10



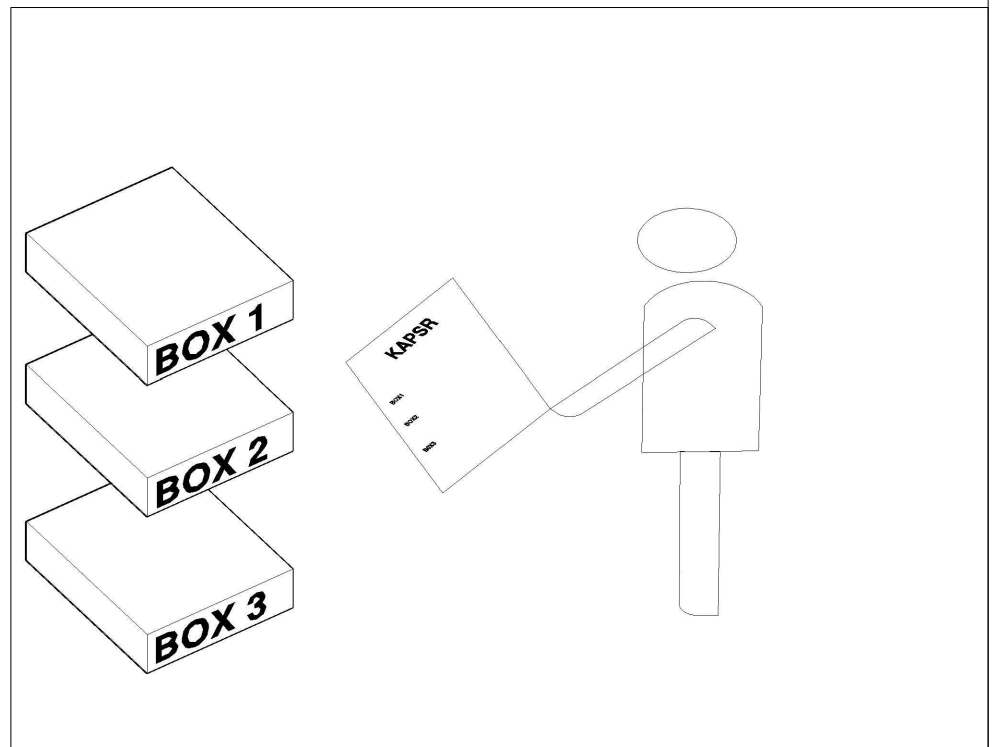


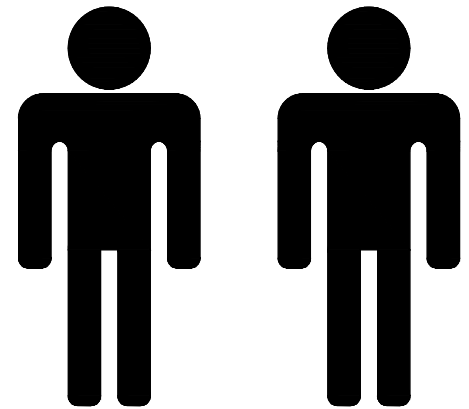
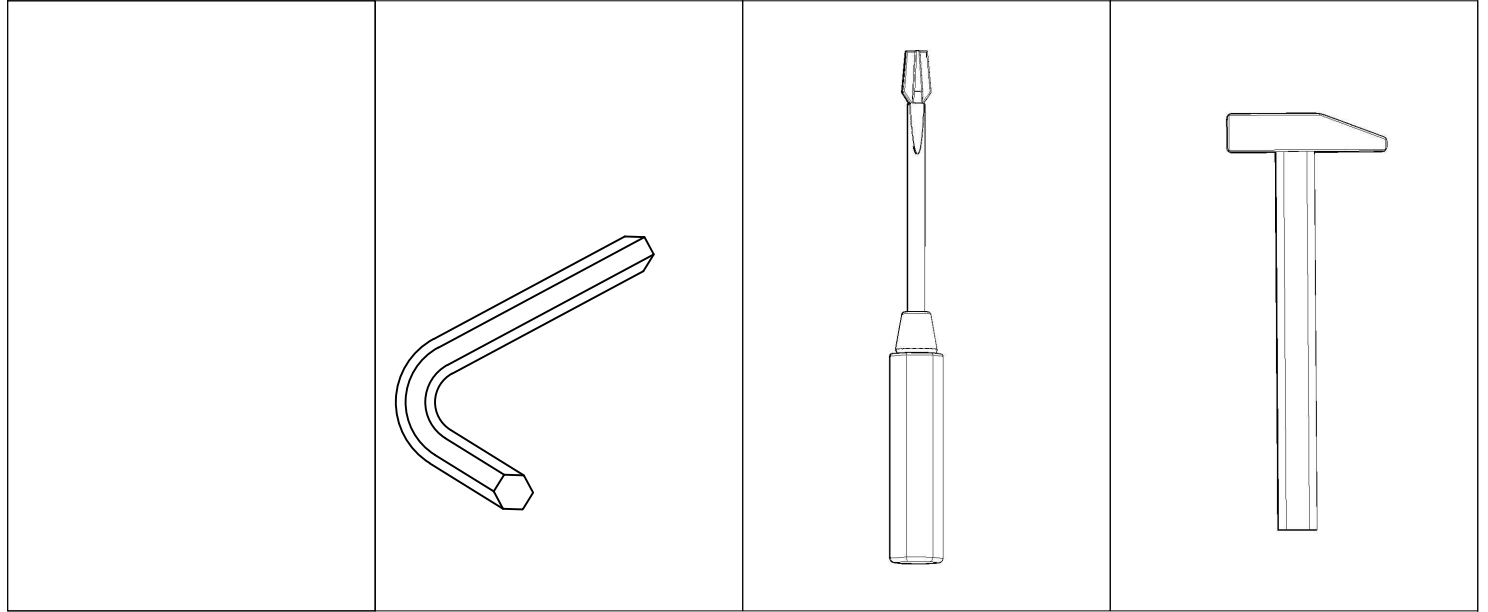
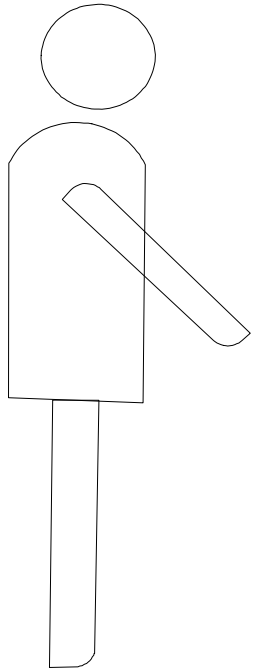
12



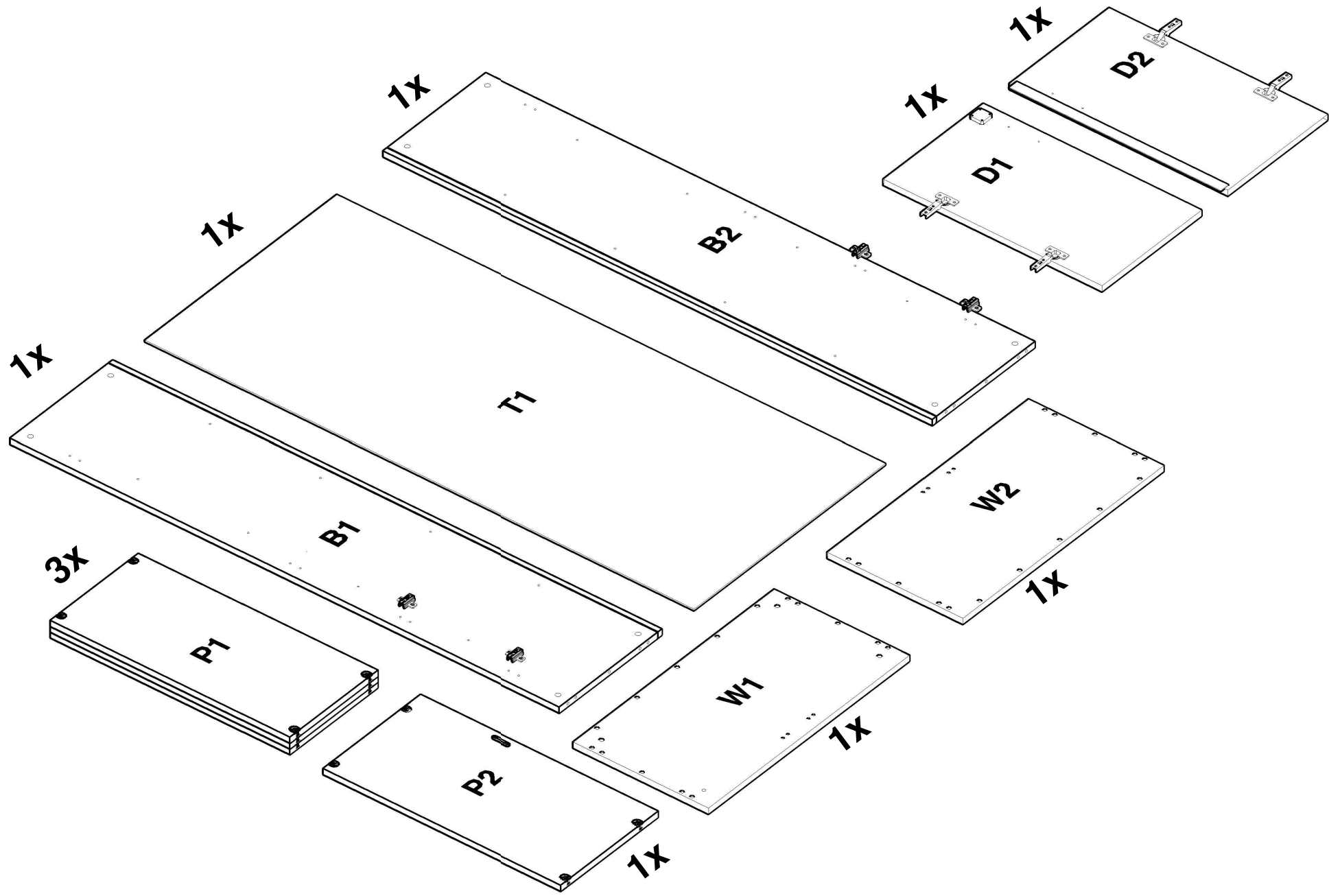


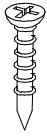
A5404HZ



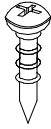


2

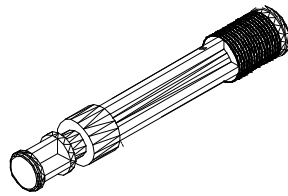




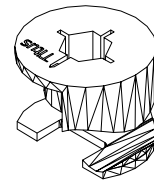
4x



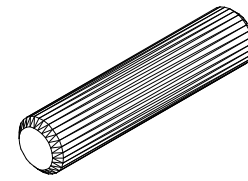
6x



20x



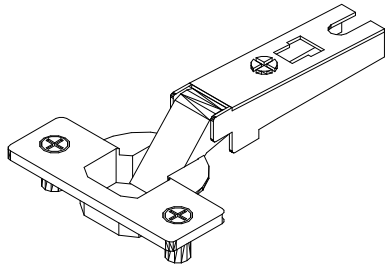
20x



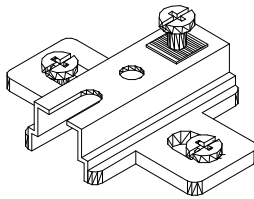
22x



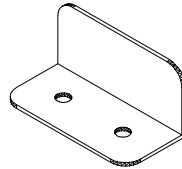
16x



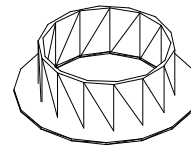
4x



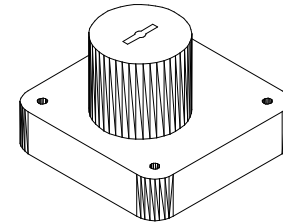
4x



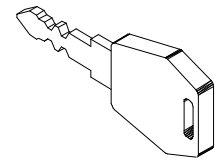
3x



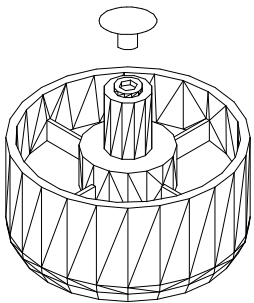
1x



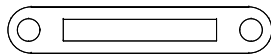
1x



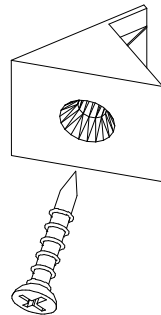
2x



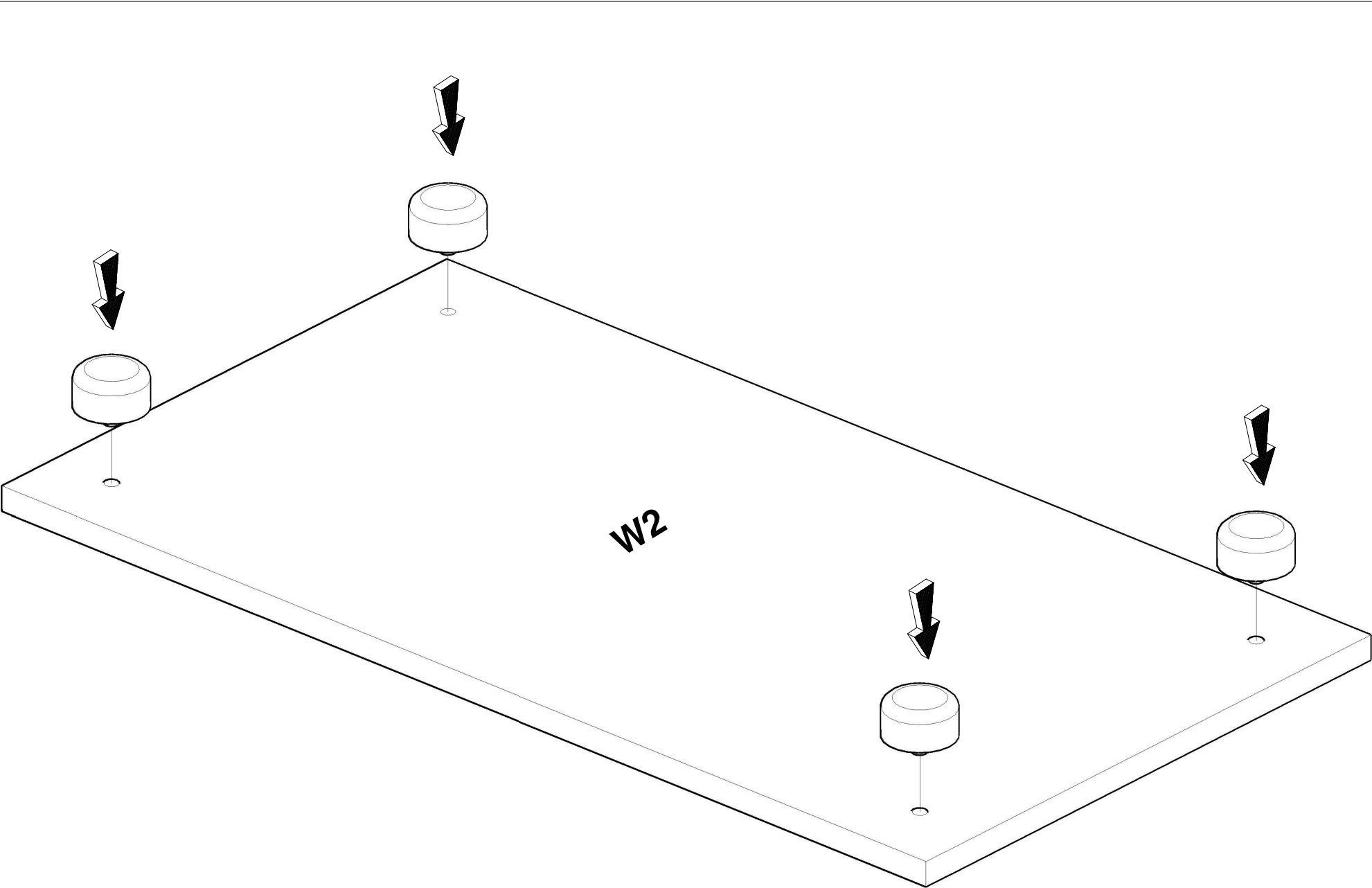
4x

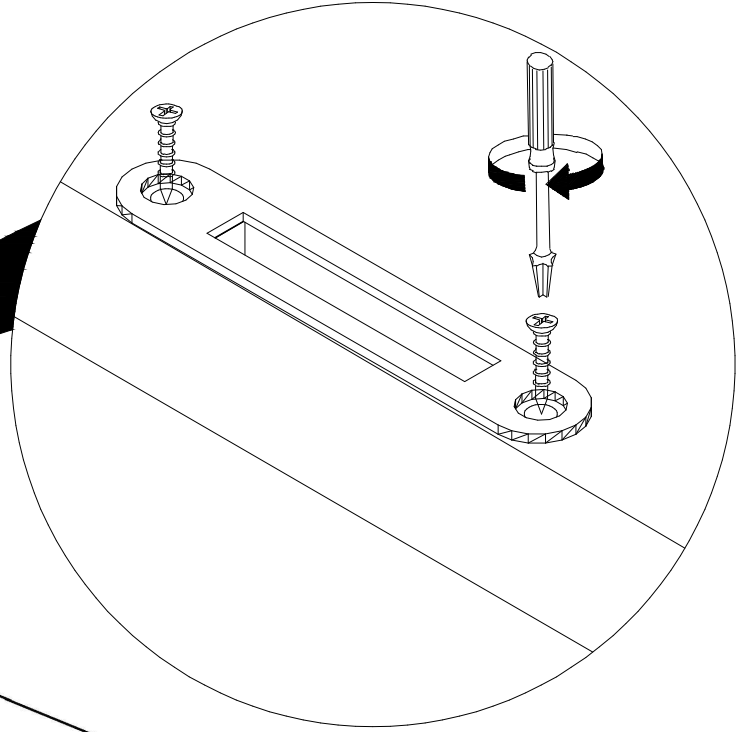
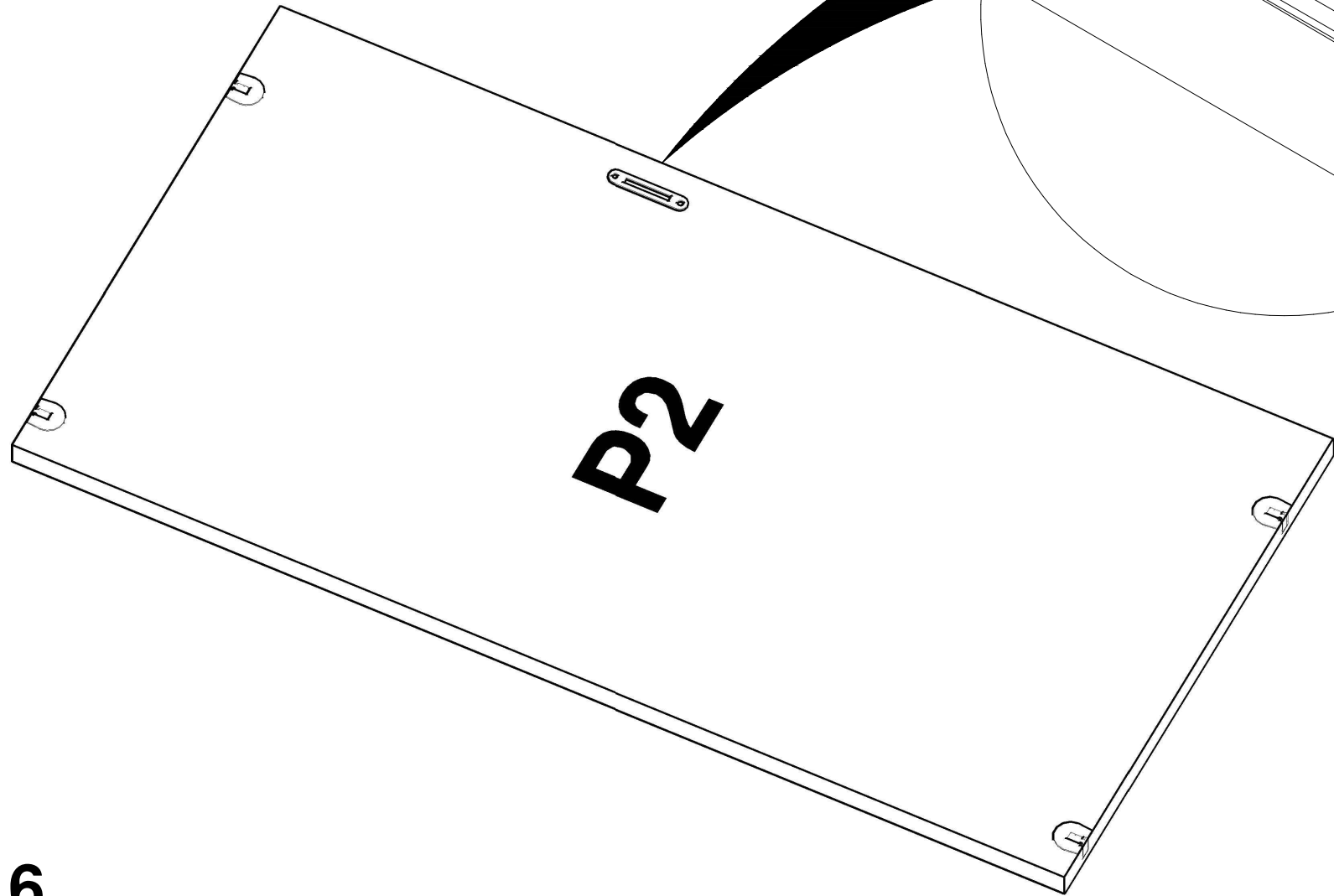


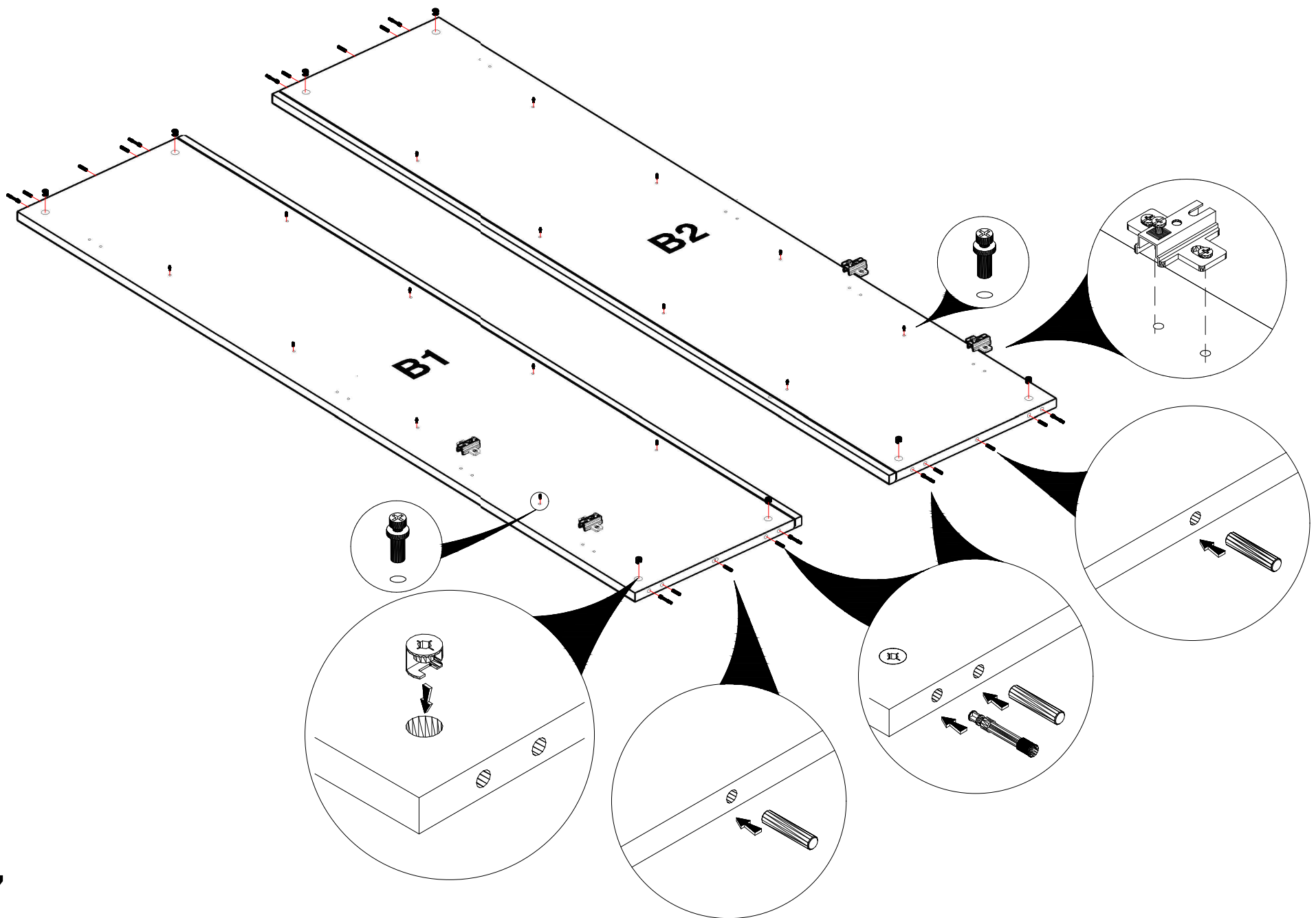
1x

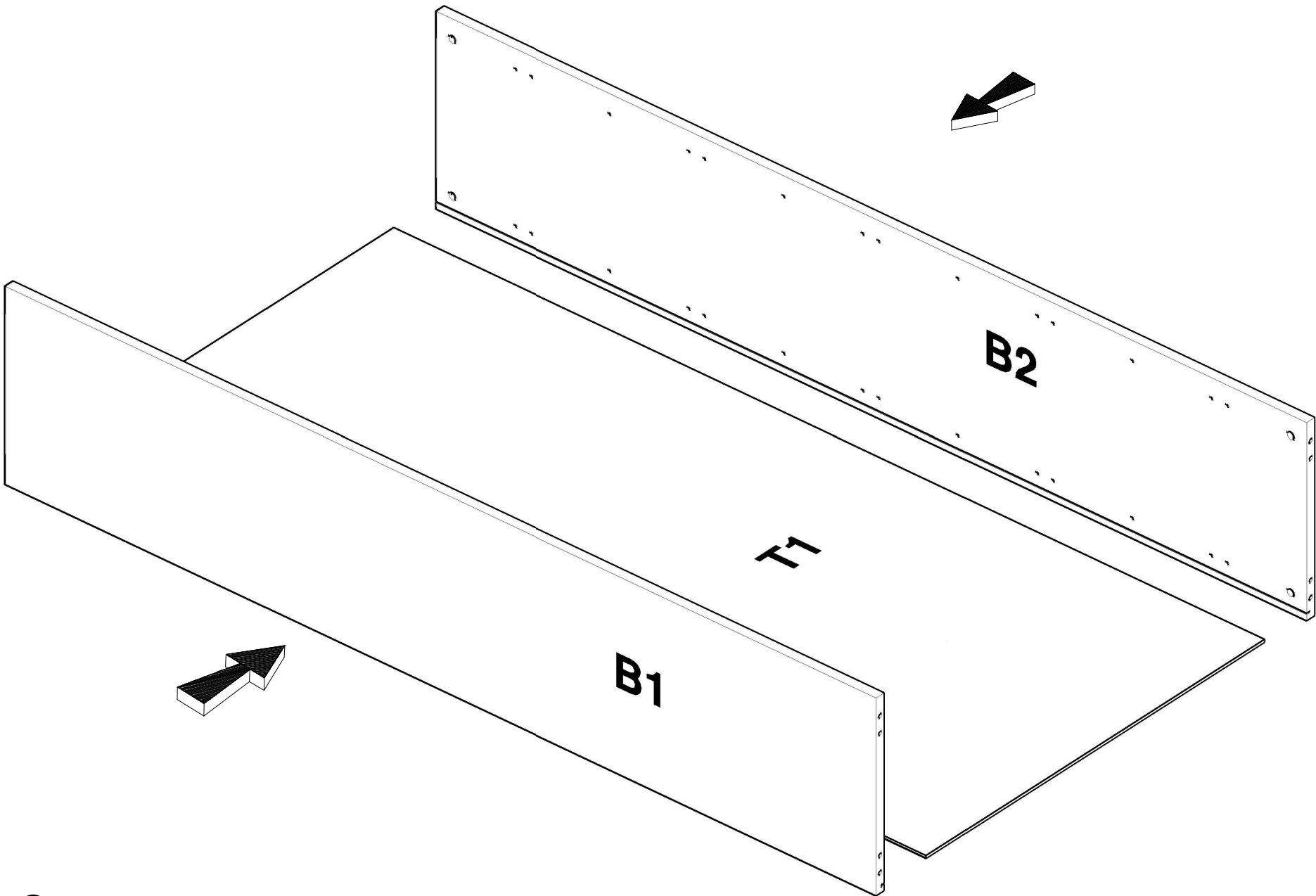


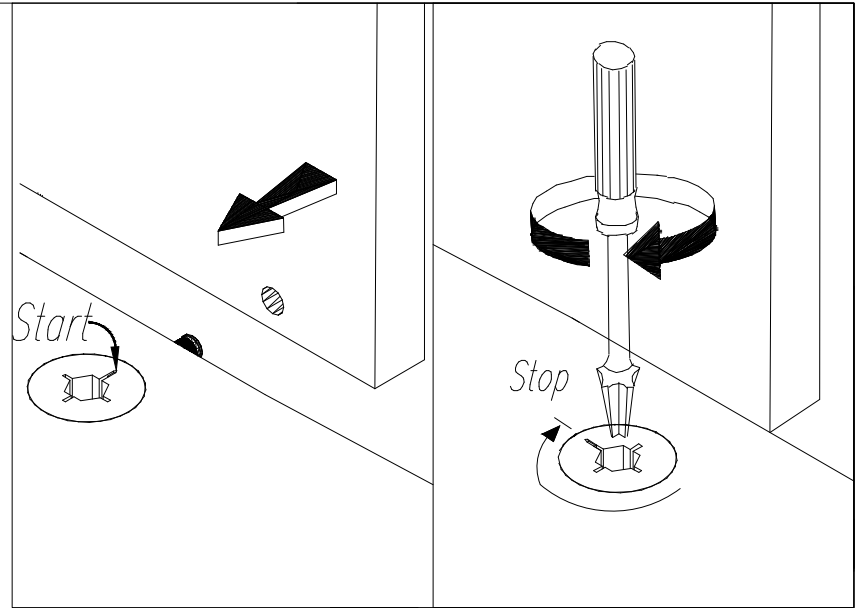
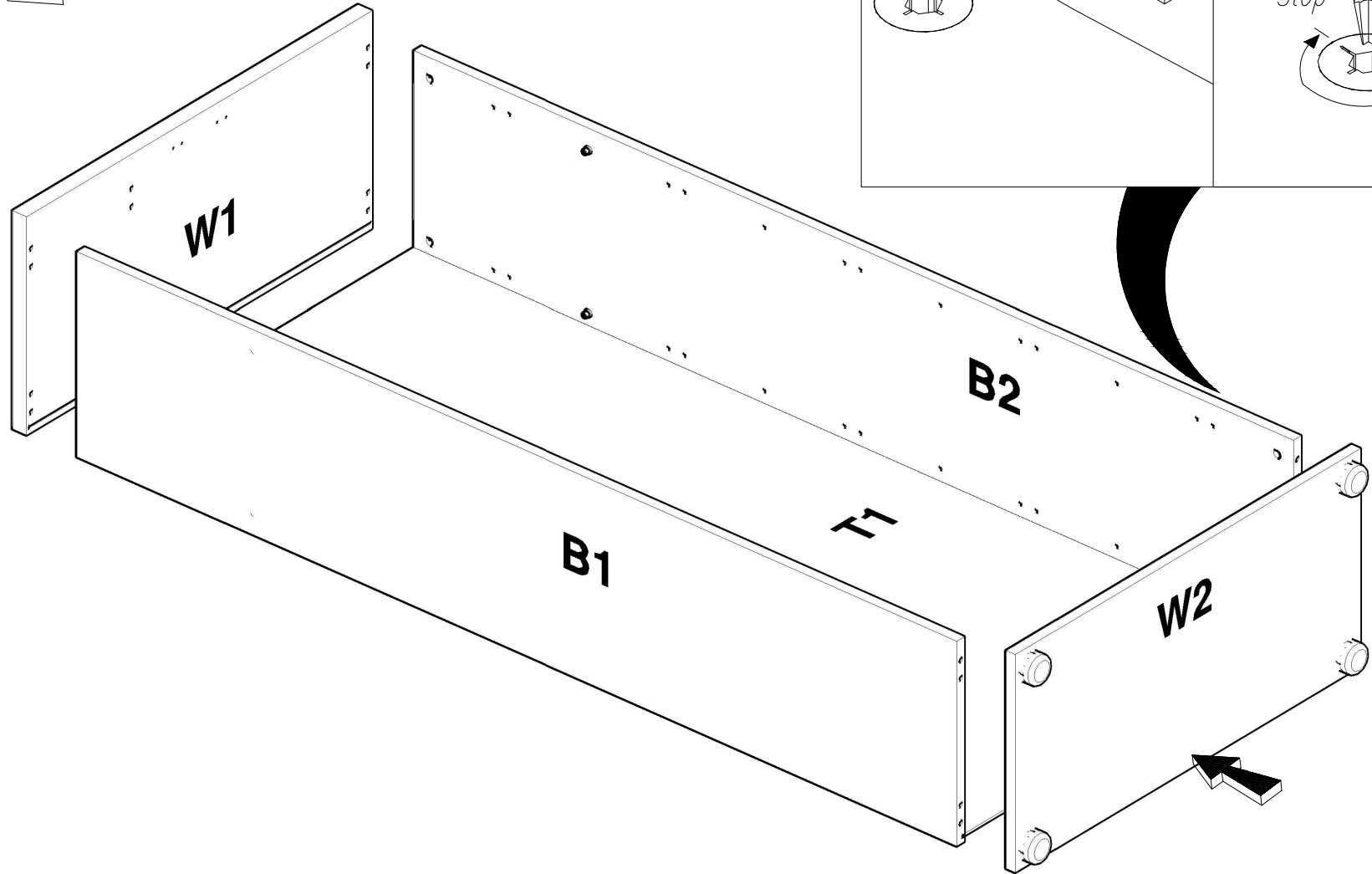
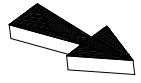
6x



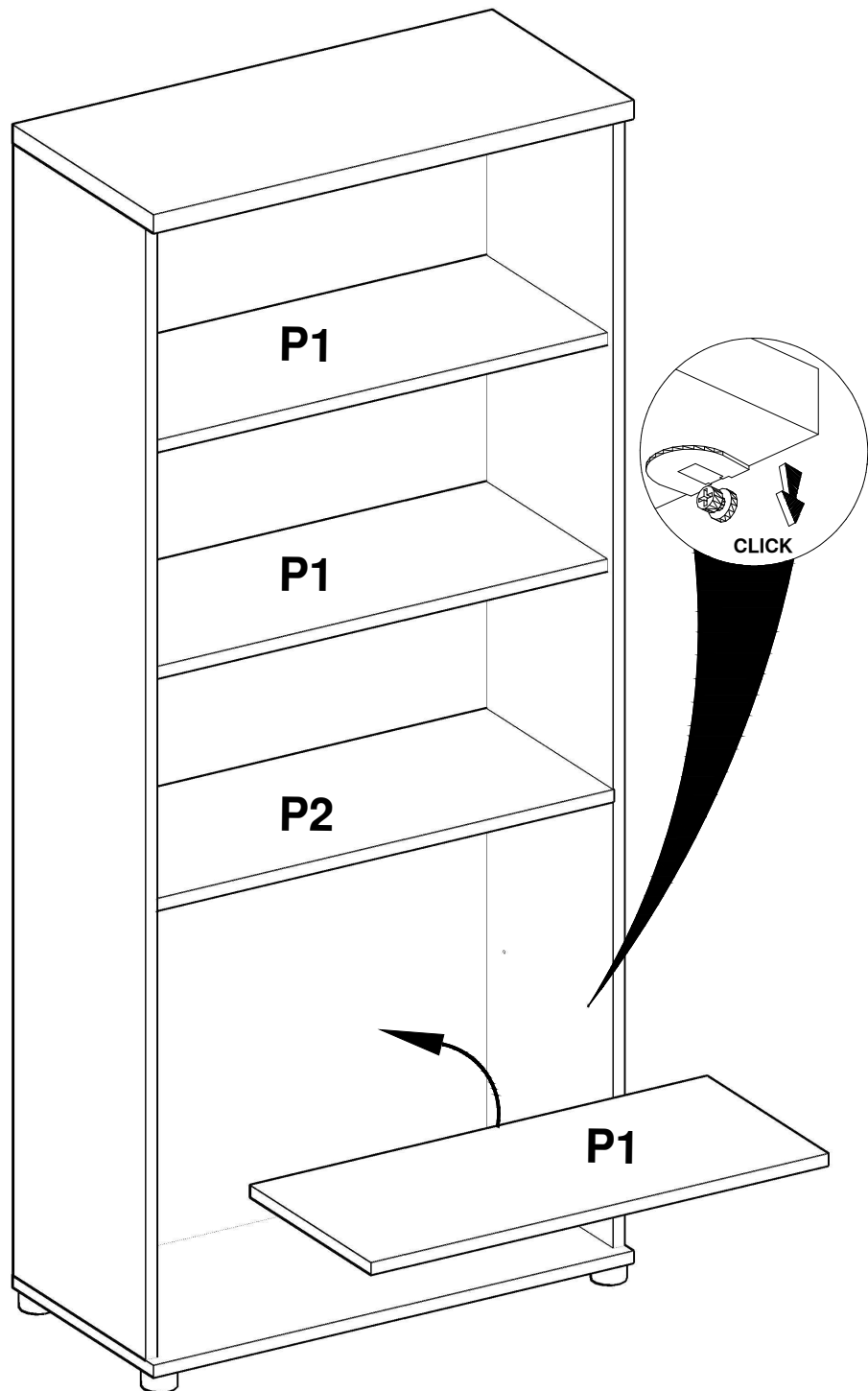
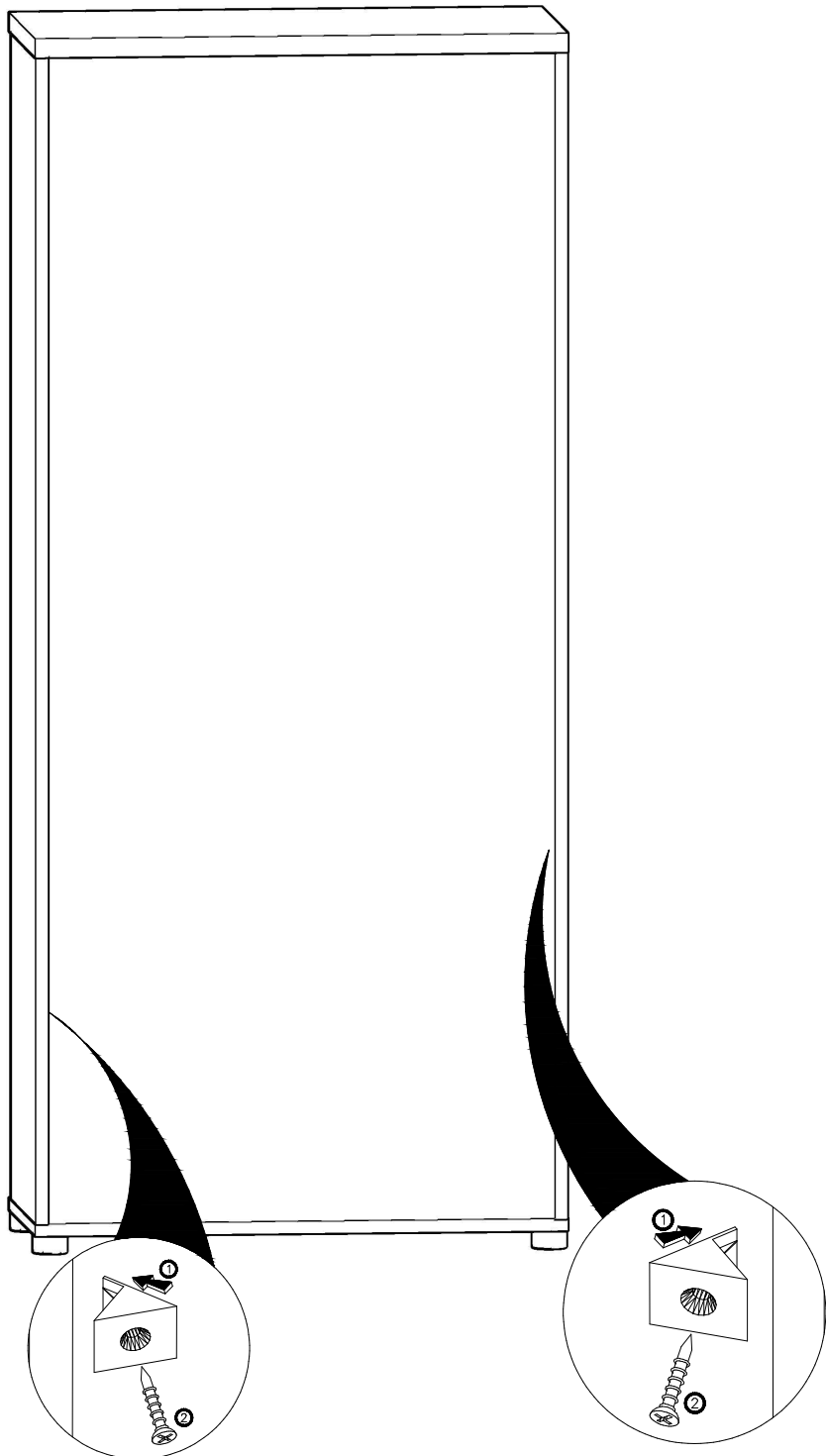


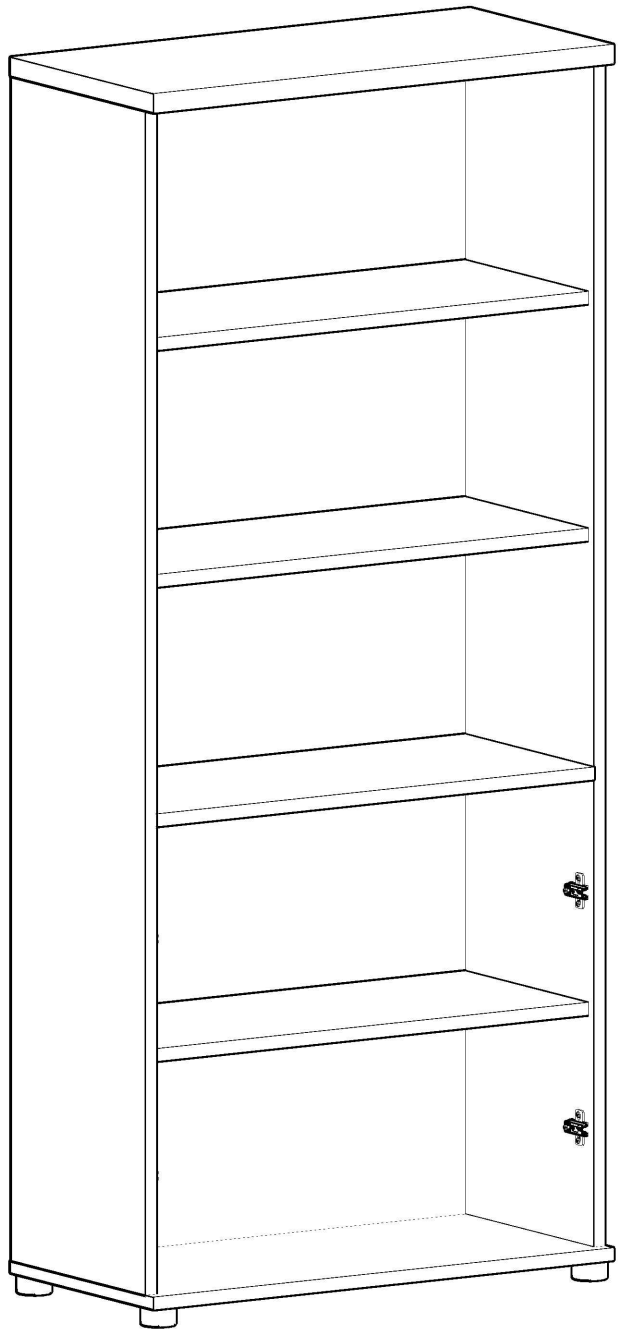




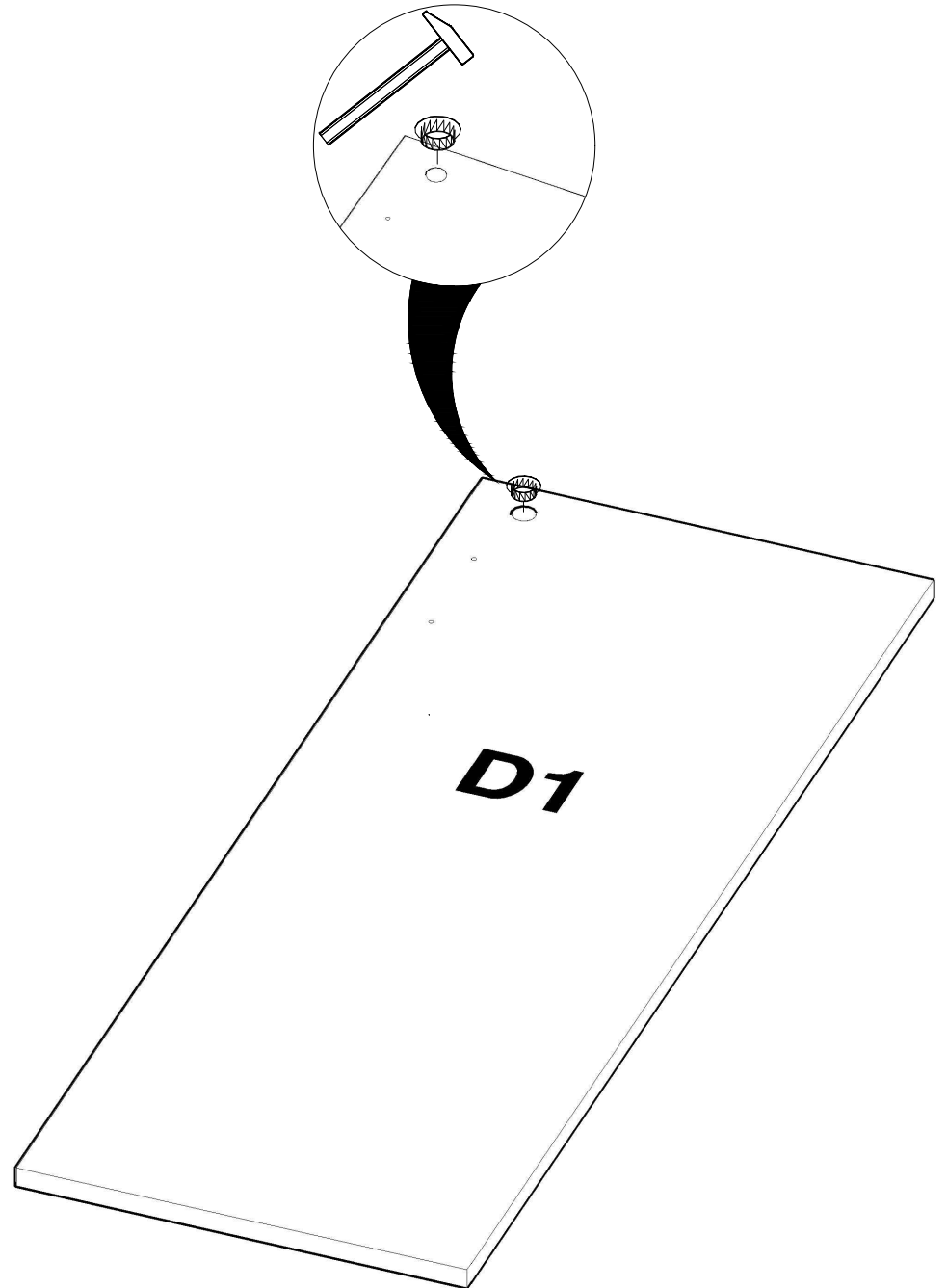


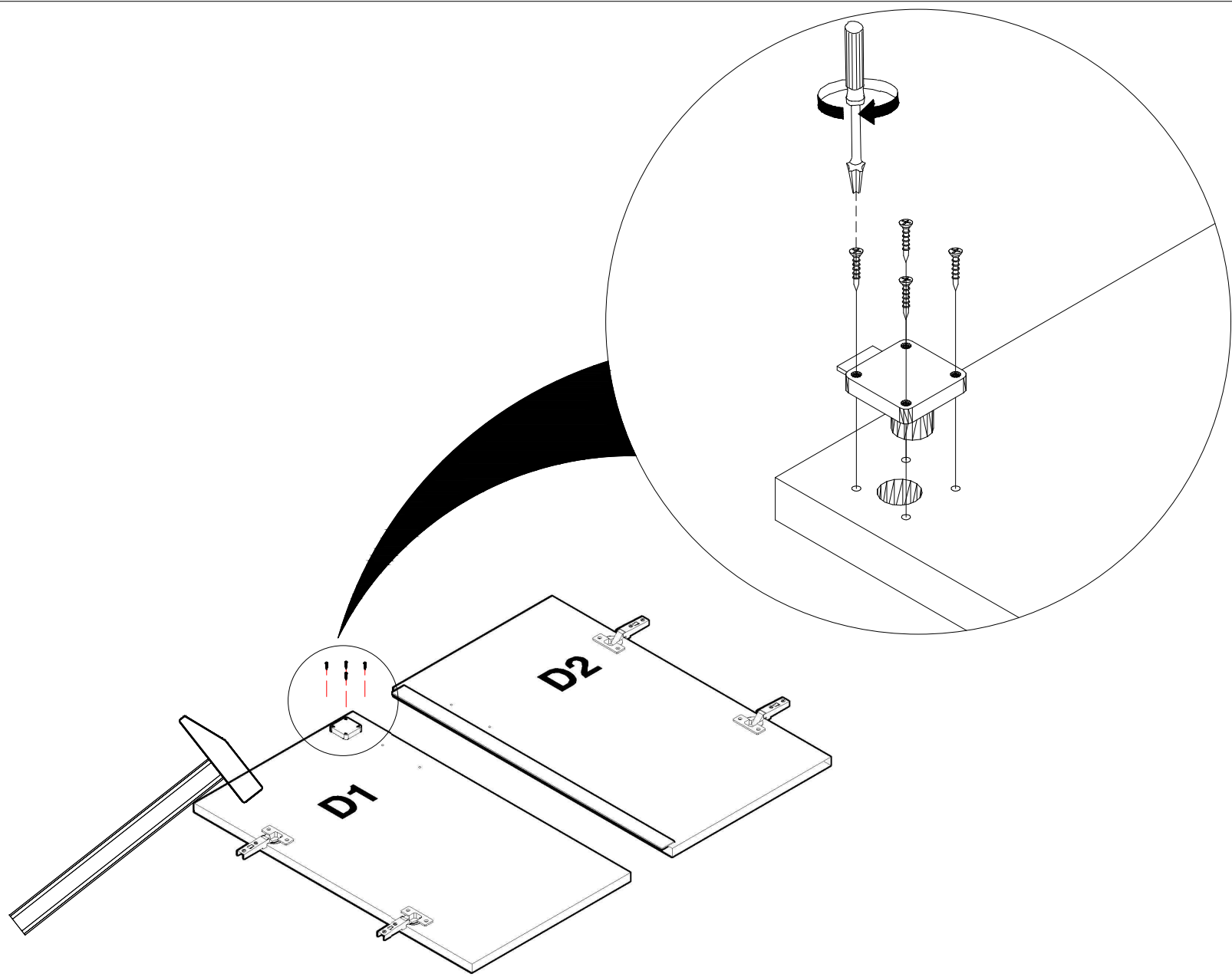
10

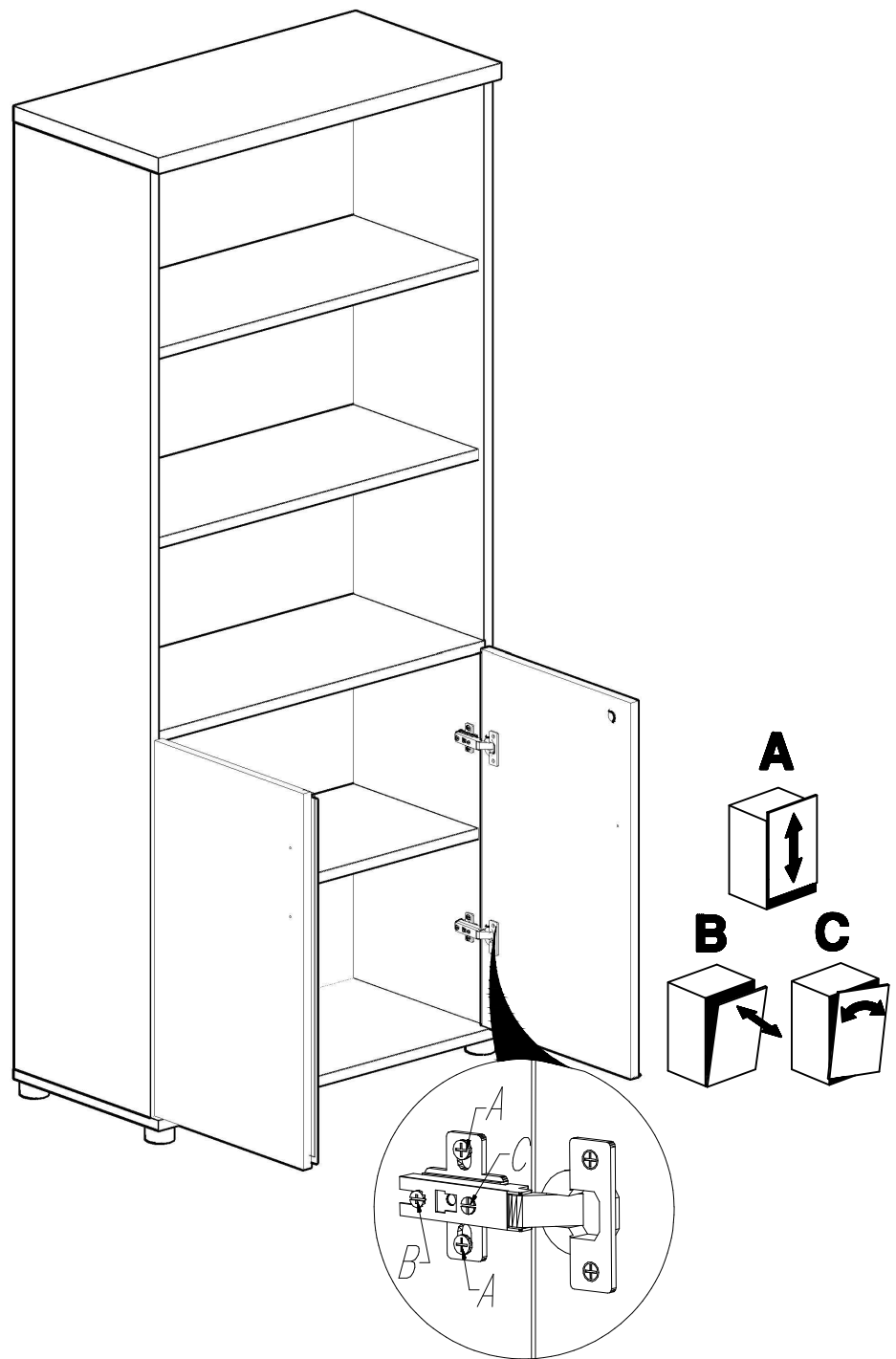
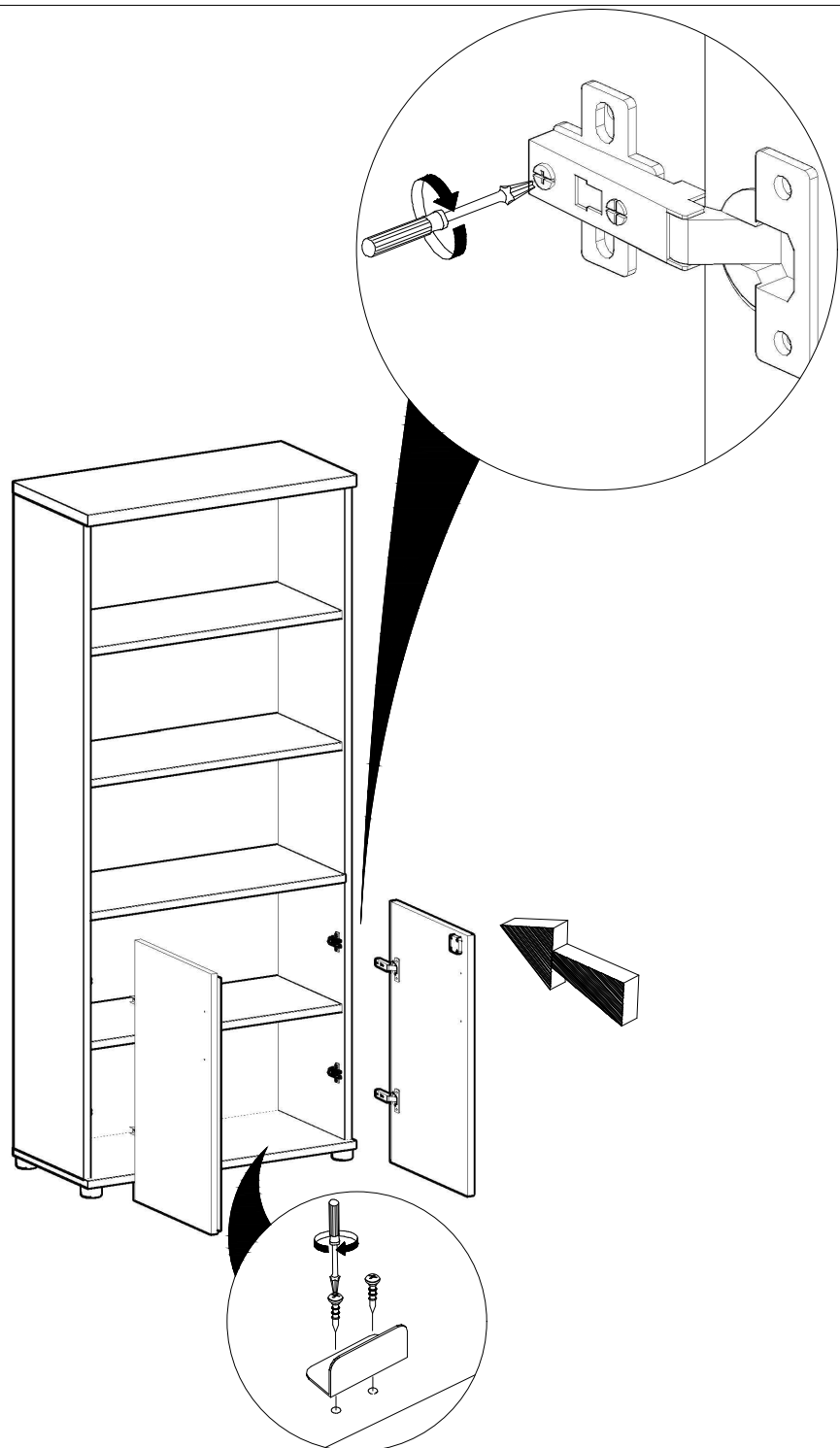


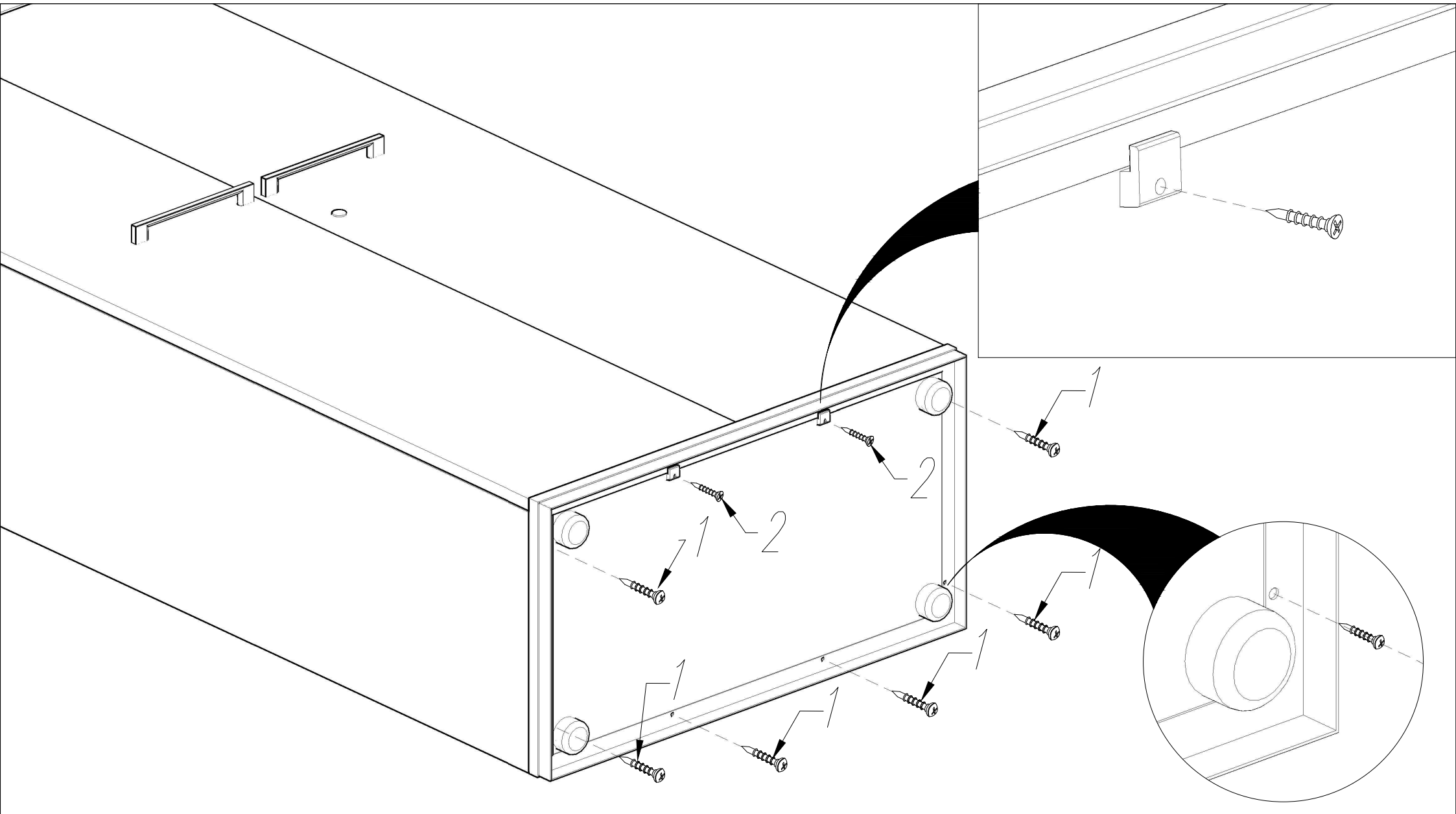
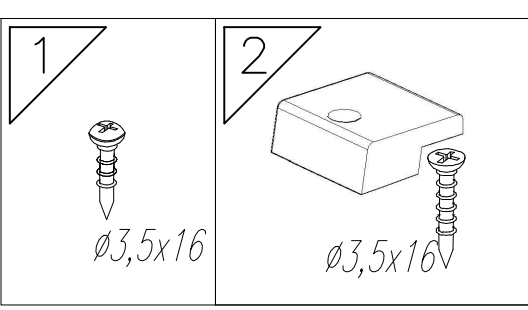


11

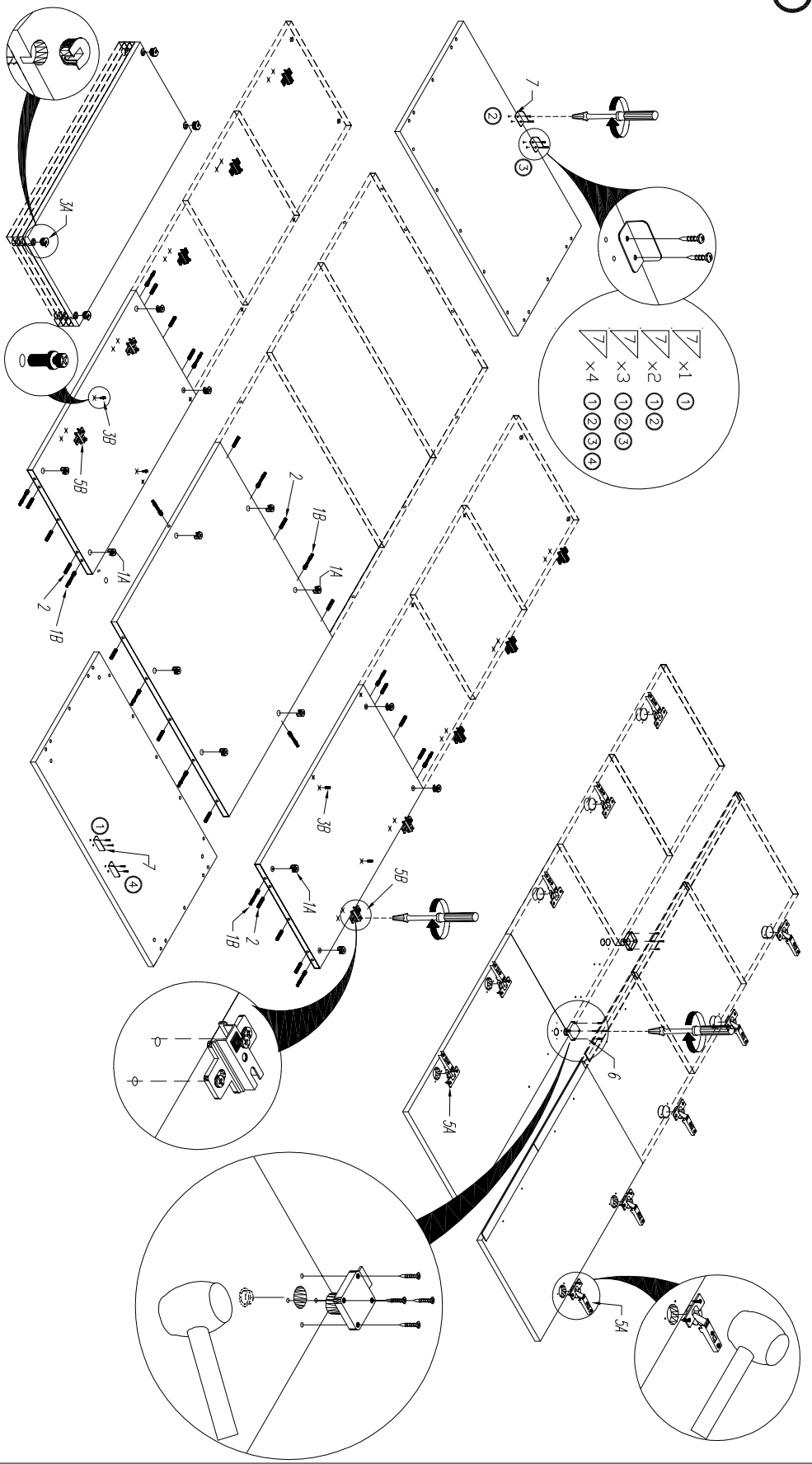






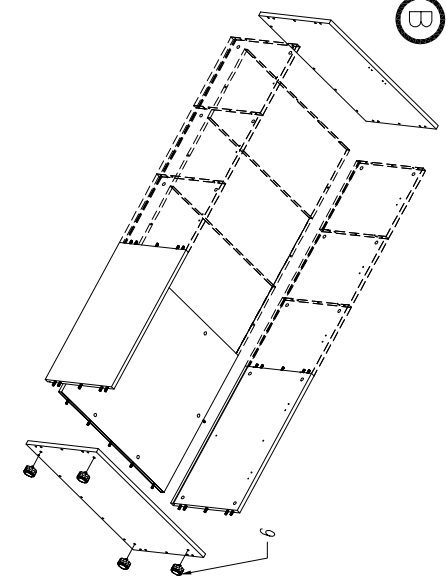


A

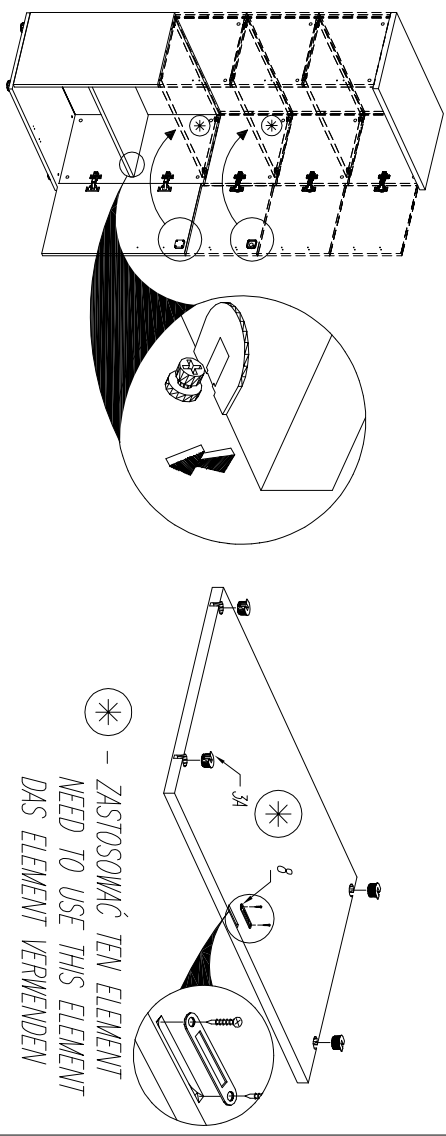


- x1 ①
- x2 ①②
- x3 ①②③
- x4 ①②③④

B

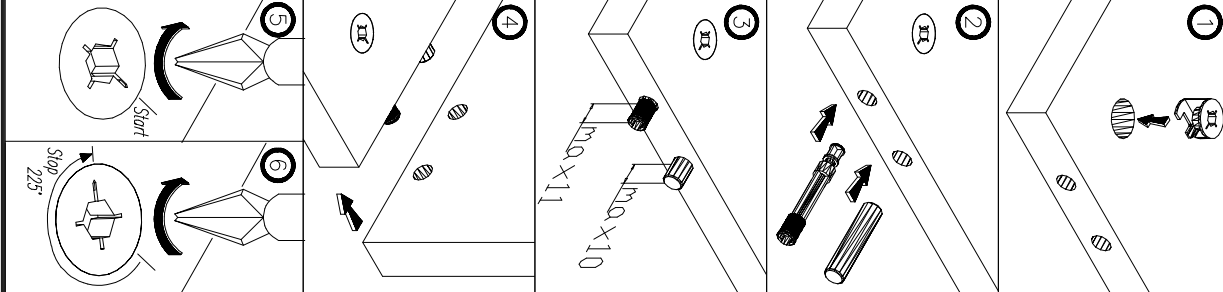


C

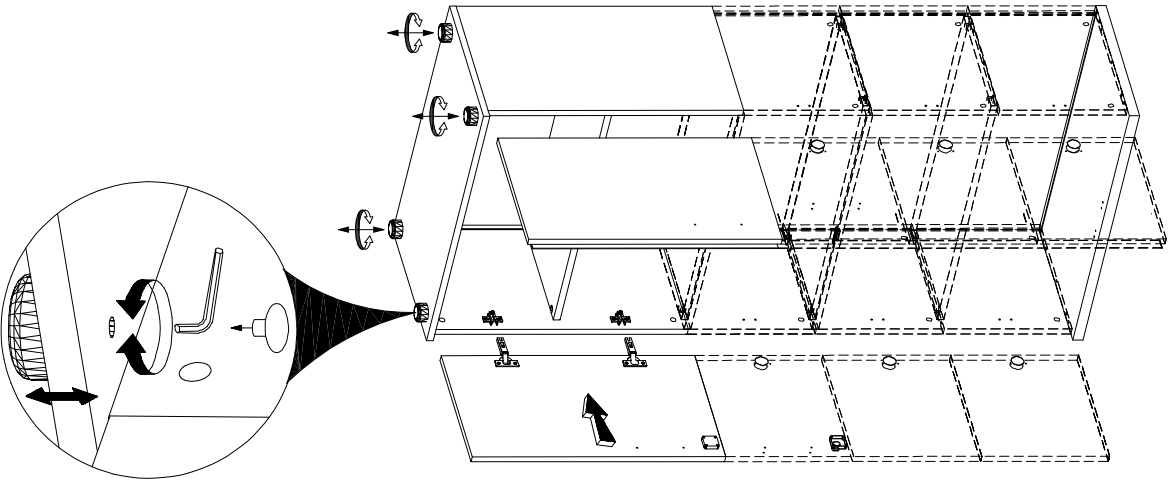


* - ZASTOSOWAĆ TEN ELEMENT
NEED TO USE THIS ELEMENT
DAS ELEMENT VERWENDEN

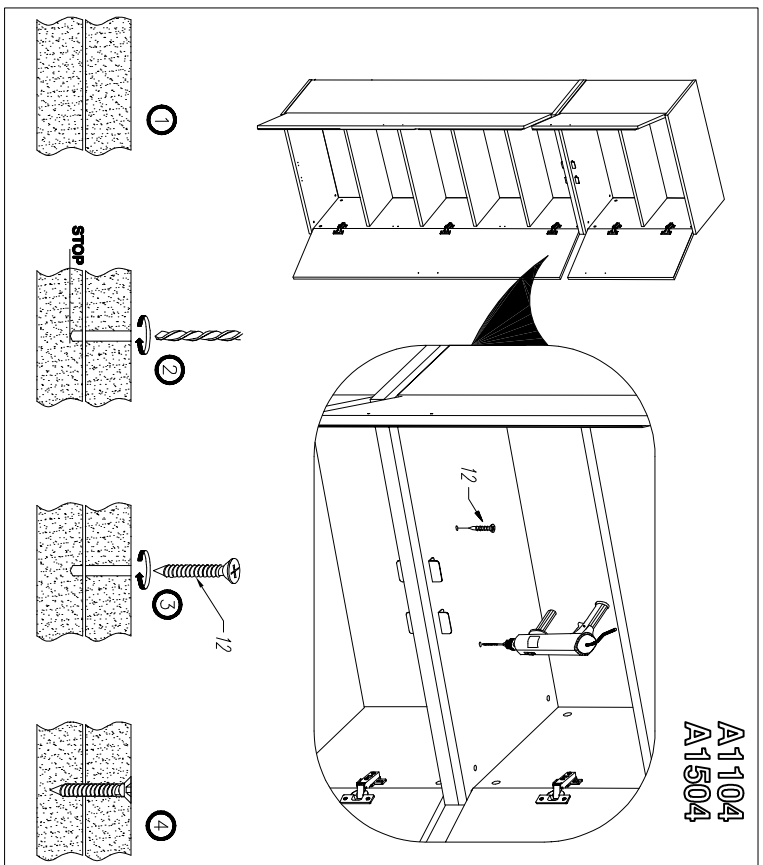
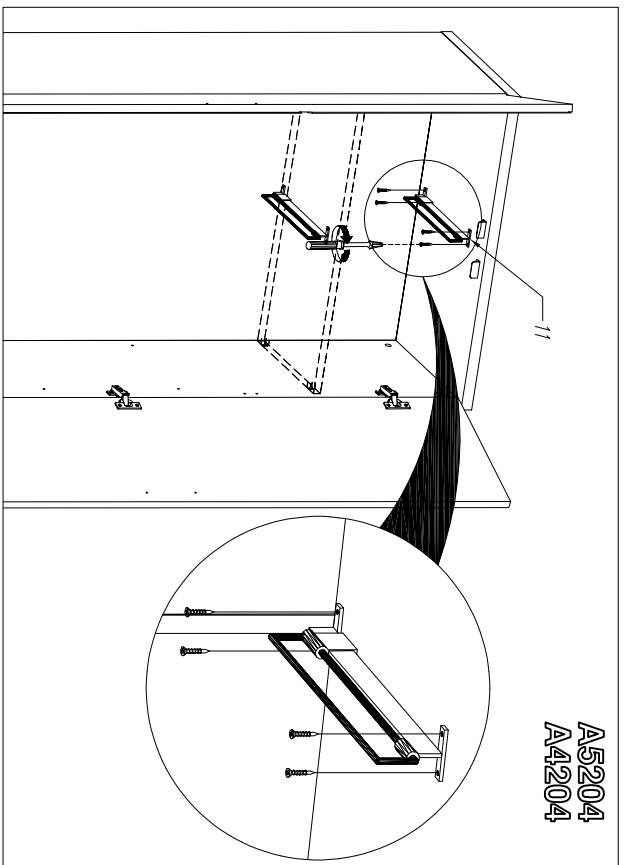
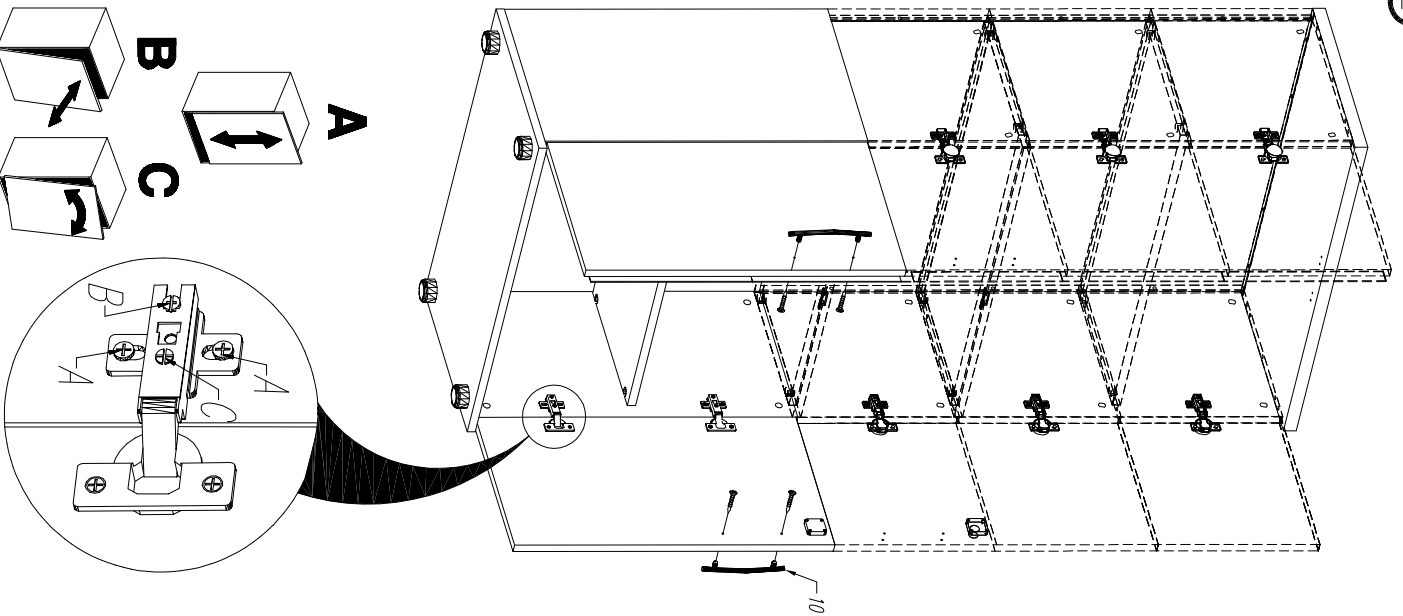
KOLEJNOŚĆ MONTAŻU
MINOSPODOW I KOKKOW.
THE FITTING SEQUENCE OF THE
CAMS AND DOWELS.
DIE MONTAGEABFOLGE VON
ENZENTERN UND DÜBELN.

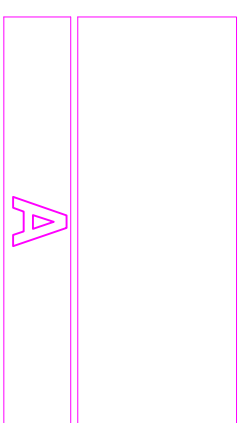
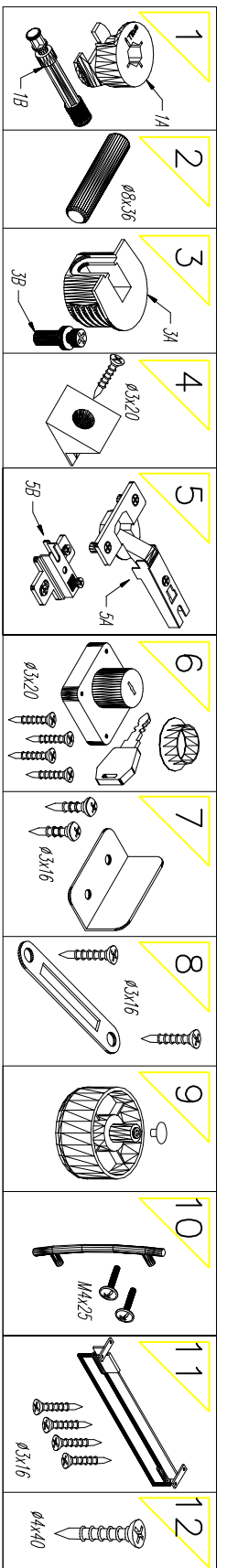


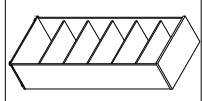

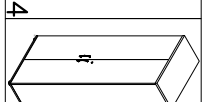

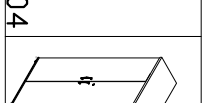
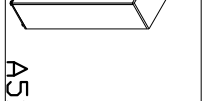
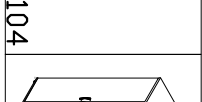
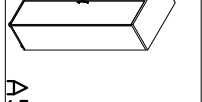

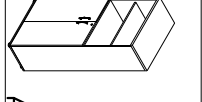

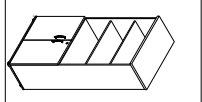

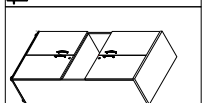

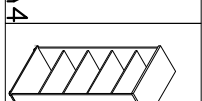

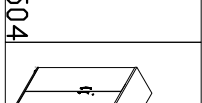
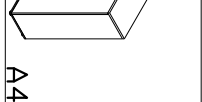

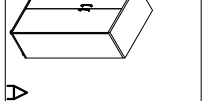

D



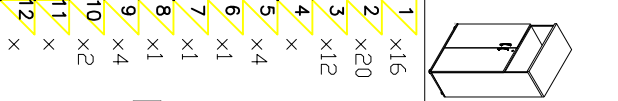

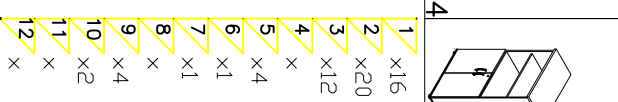


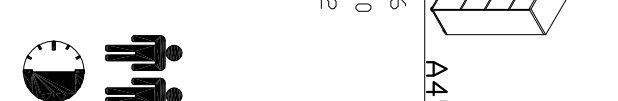

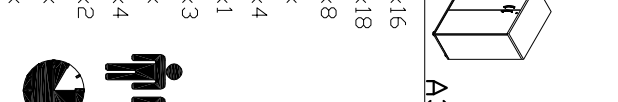
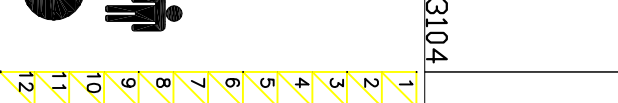
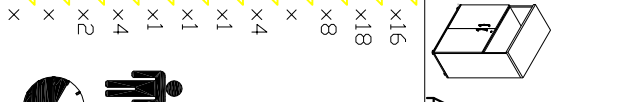
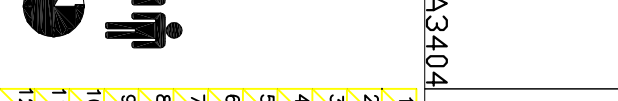
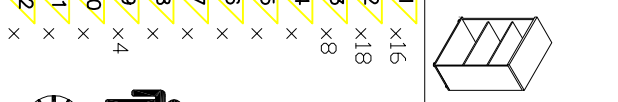

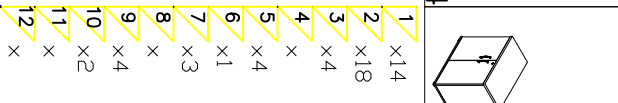

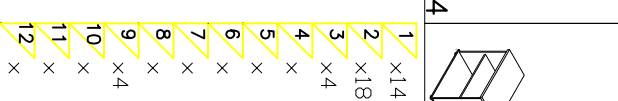


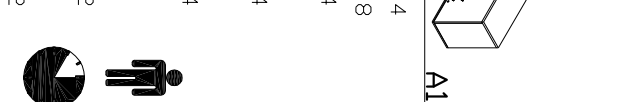
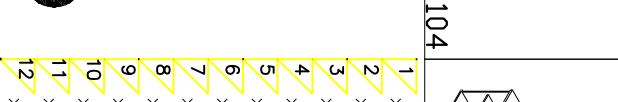
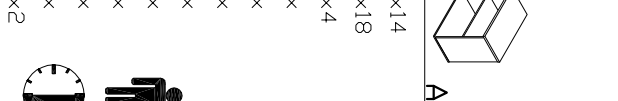

E





																						
A6504	A6104	A5104	A5204	A5304	A5404	A54A4	A5504	A4104	A4204	A4304	A4404	A4504	A3104	A3404	A3504	A2104	A2504	A1104	A1504	A1604	A1704	A1804

1 x22 2 x18 3 x20 4 x 5 x 6 x 7 x 8 x 9 x4 10 x 11 x 12 x	1 x22 2 x18 3 x20 4 x 5 x8 6 x1 7 x2 8 x1 9 x4 10 x2 11 x 12 x	1 x20 2 x18 3 x16 4 x 5 x6 6 x1 7 x2 8 x1 9 x4 10 x2 11 x 12 x	1 x20 2 x18 3 x4 4 x 5 x6 6 x 7 x4 8 x 9 x4 10 x2 11 x1 12 x	1 x20 2 x18 3 x16 4 x 5 x4 6 x1 7 x1 8 x1 9 x4 10 x2 11 x 12 x	1 x20 2 x18 3 x16 4 x 5 x4 6 x1 7 x1 8 x1 9 x4 10 x2 11 x 12 x	1 x20 2 x18 3 x16 4 x 5 x8 6 x2 7 x2 8 x2 9 x4 10 x4 11 x 12 x	1 x20 2 x18 3 x16 4 x 5 x 6 x 7 x 8 x 9 x4 10 x 11 x 12 x	1 x16 2 x20 3 x12 4 x 5 x4 6 x1 7 x1 8 x 9 x4 10 x2 11 x 12 x	1 x16 2 x20 3 x12 4 x 5 x4 6 x1 7 x1 8 x 9 x4 10 x2 11 x 12 x	1 x16 2 x20 3 x12 4 x 5 x4 6 x1 7 x1 8 x 9 x4 10 x2 11 x 12 x	1 x16 2 x20 3 x12 4 x 5 x4 6 x1 7 x1 8 x 9 x4 10 x2 11 x 12 x	1 x16 2 x20 3 x12 4 x 5 x4 6 x1 7 x1 8 x 9 x4 10 x2 11 x 12 x	1 x16 2 x20 3 x12 4 x 5 x4 6 x1 7 x1 8 x 9 x4 10 x2 11 x 12 x	1 x16 2 x20 3 x12 4 x 5 x4 6 x1 7 x1 8 x 9 x4 10 x2 11 x 12 x	1 x14 2 x18 3 x4 4 x 5 x4 6 x1 7 x3 8 x 9 x4 10 x2 11 x 12 x	1 x14 2 x18 3 x4 4 x 5 x 6 x 7 x 8 x 9 x4 10 x 11 x 12 x	1 x14 2 x18 3 x4 4 x 5 x4 6 x1 7 x4 8 x 9 x 10 x2 11 x 12 x	1 x14 2 x18 3 x4 4 x 5 x 6 x 7 x 8 x 9 x4 10 x 11 x 12 x	1 x14 2 x18 3 x4 4 x 5 x 6 x 7 x 8 x 9 x4 10 x 11 x 12 x	1 x14 2 x18 3 x4 4 x 5 x 6 x 7 x 8 x 9 x4 10 x 11 x 12 x	1 x14 2 x18 3 x4 4 x 5 x 6 x 7 x 8 x 9 x4 10 x 11 x 12 x	1 x14 2 x18 3 x4 4 x 5 x 6 x 7 x 8 x 9 x4 10 x 11 x 12 x
--	---	---	---	---	---	---	--	--	--	--	--	--	--	--	---	---	--	---	---	---	---	---

																						
A4304	A4404	A4504	A3104	A3404	A3504	A2104	A2504	A1104	A1504	A1604	A1704	A1804	A1904	A2004	A2104	A2204	A2304	A2404	A2504	A2604	A2704	A2804

