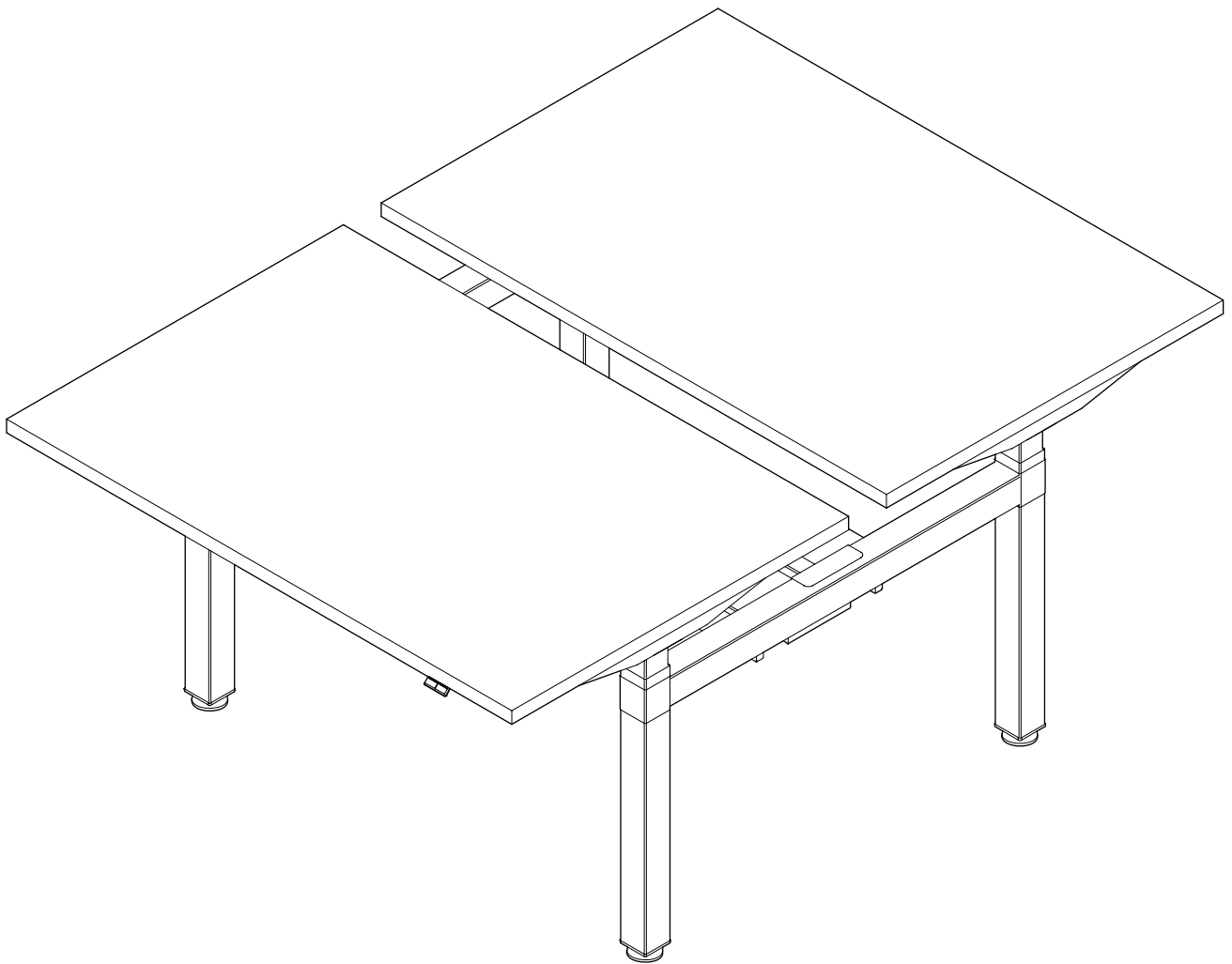


Ogi Drive Bench with Common Cable Rail

bench desk electric height adjustment



.mdd

disclaimers

Polski

UWAGA!

Dokładnie przeczytaj instrukcję i postępuj zgodnie z nią, nie pomijając żadnych kroków. Zachowaj instrukcję na przyszłość. Używaj tylko sprawnych i odpowiednich narzędzi. Skontaktuj się z nami, jeśli masz pytania lub wątpliwości.

English

WARNING!

Read and follow the instructions carefully, do not skip any steps. Keep the manual for future reference. If needed, use proper tools. Seek our advice if you have any doubts or questions.

Deutsch

ACHTUNG!

Lesen Sie die Anleitung sorgfältig durch und befolgen Sie sie, ohne einen Schritt auszulassen. Bewahren Sie die Anleitung zum späteren Nachschlagen auf. Verwenden Sie nur funktionsfähige und geeignete Werkzeuge. Kontaktieren Sie uns, wenn Sie Fragen oder Bedenken haben.

Français

ATTENTION !

Lisez et suivez attentivement les instructions, ne sautez aucune étape. Conservez la notice pour pouvoir vous y référer ultérieurement. Utilisez uniquement les outils appropriés. Demandez-nous conseil si vous avez des doutes ou des questions.

Español

ATENCIÓN!

Lee y sigue las instrucciones con atención; no te saltes ningún paso. Guarda el manual por si lo necesitas en el futuro. Usa las herramientas recomendadas. Contáctanos si tienes alguna duda o pregunta.

Italiano

ATTENZIONE !

Leggere attentamente le istruzioni e seguirle passo dopo passo. Conservare le istruzioni per riferimenti futuri. Utilizzare solo strumenti efficienti e adatti. Contattateci se avete domande o dubbi.

valid for

BOD712

BOD714

BOD716

BOD718

BOD720

BOD812

BOD814

BOD816

BOD818

BOD820

12-238

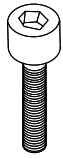
06-059

06-205

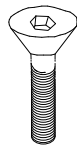
06-076

06-105

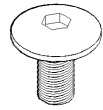
06-282



M6X25I



M8X16S



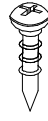
M6X15K



3.5X16S

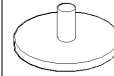


5.0X60S

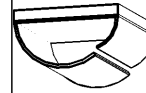


4.5X16W

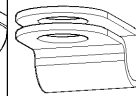
1



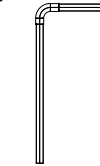
2



3



4



5



.mdd

BOD



BENCH

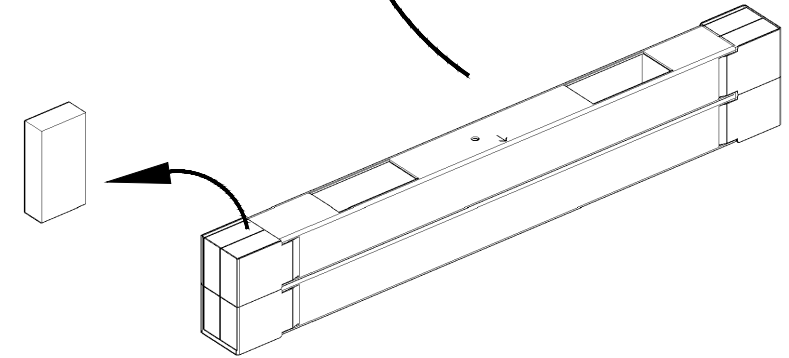
PODŁĄCZENIE DO SIECI ELEKTRYCZNEJ BEZ ZAKOŃCZONEGO MONTAŻU
JEST ZABRONIONE!

WARNING! PLUGGING INTO YOUR ELECTRICAL OUTLET WITHOUT PROPER
AND COMPLETE INSTALLATION IS STRICTLY PROHIBITED.

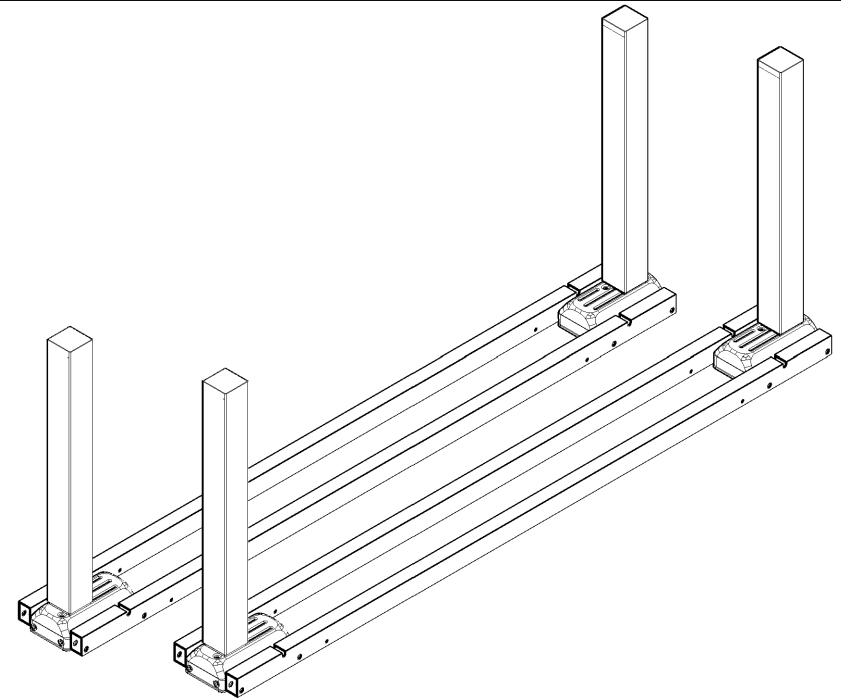
VERBINDUNG MIT DER ELEKTRISCHEN NETZ VOR DEM MONTAGEENDE IST VERBOTEN!

NE PAS BRANCHER AVANT QUE LE PRODUIT SOIT ENTIÈREMENT MONTE !

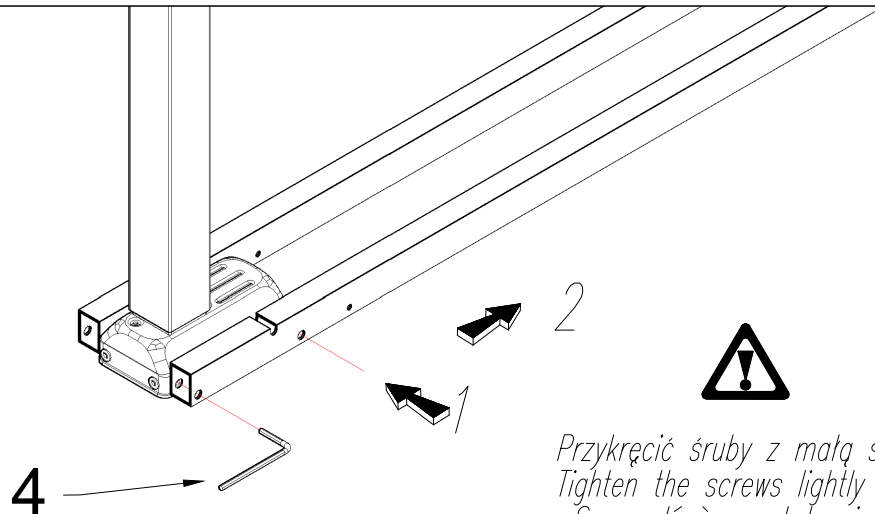
Не включать в розетку пока не будет завершен монтаж.



B

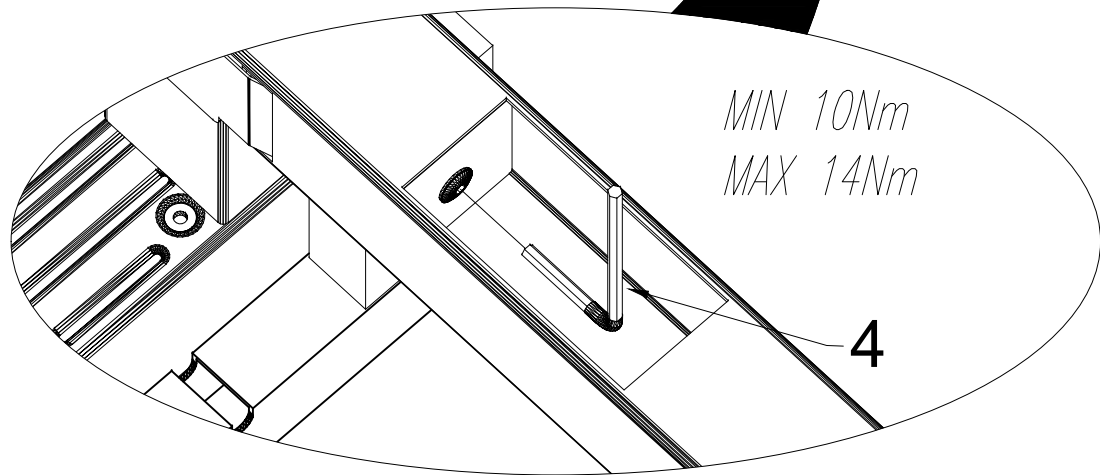
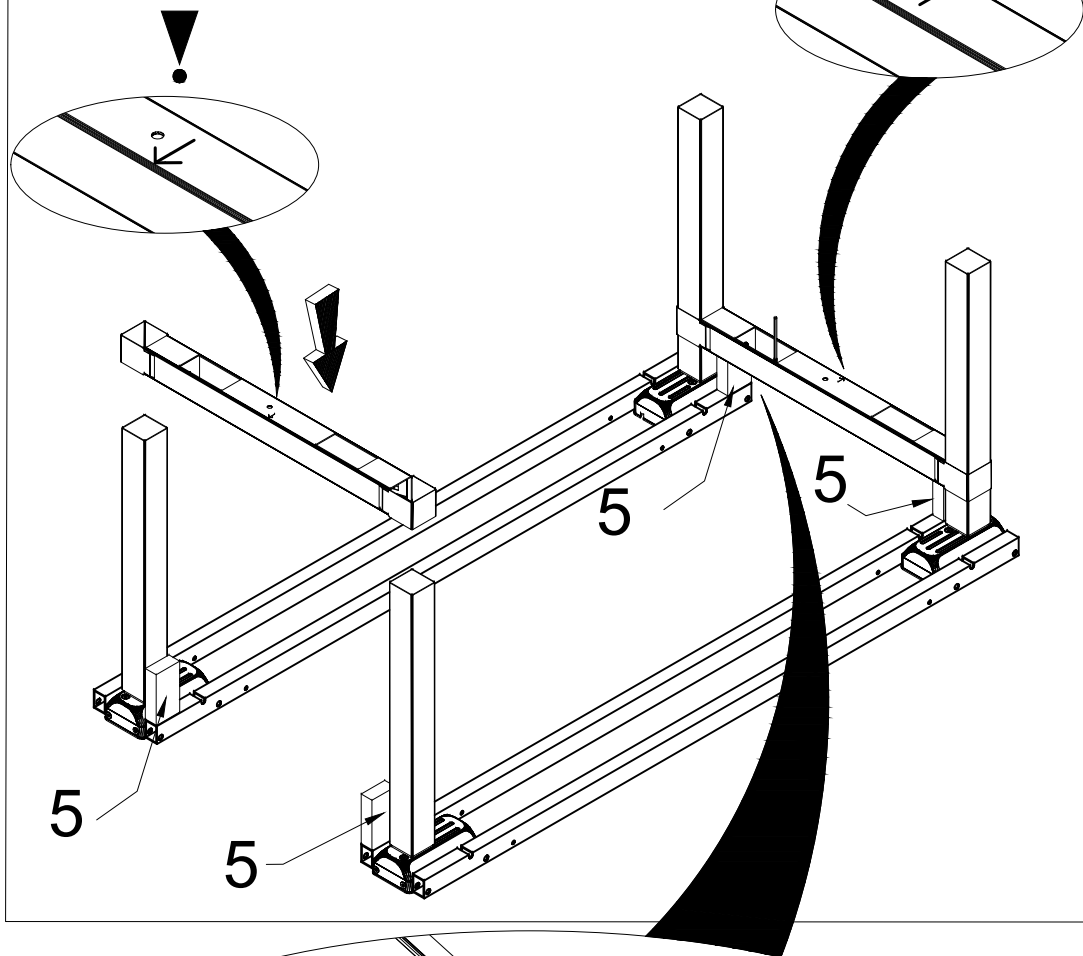


A

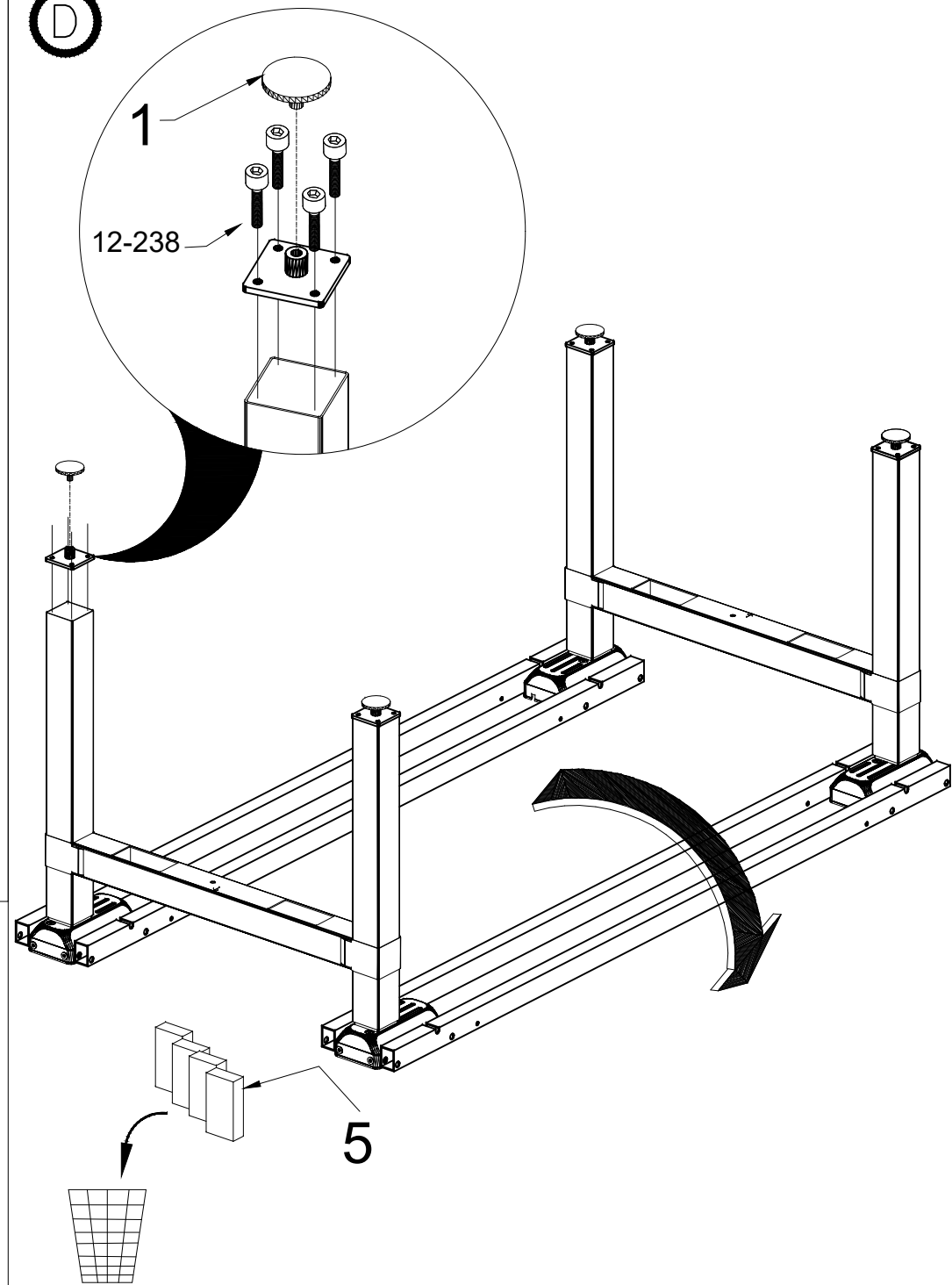


Przykręcić śruby z małą siłą.
Tighten the screws lightly
Serrez légèrement la vis
Ziehen Sie die Schrauben leicht an

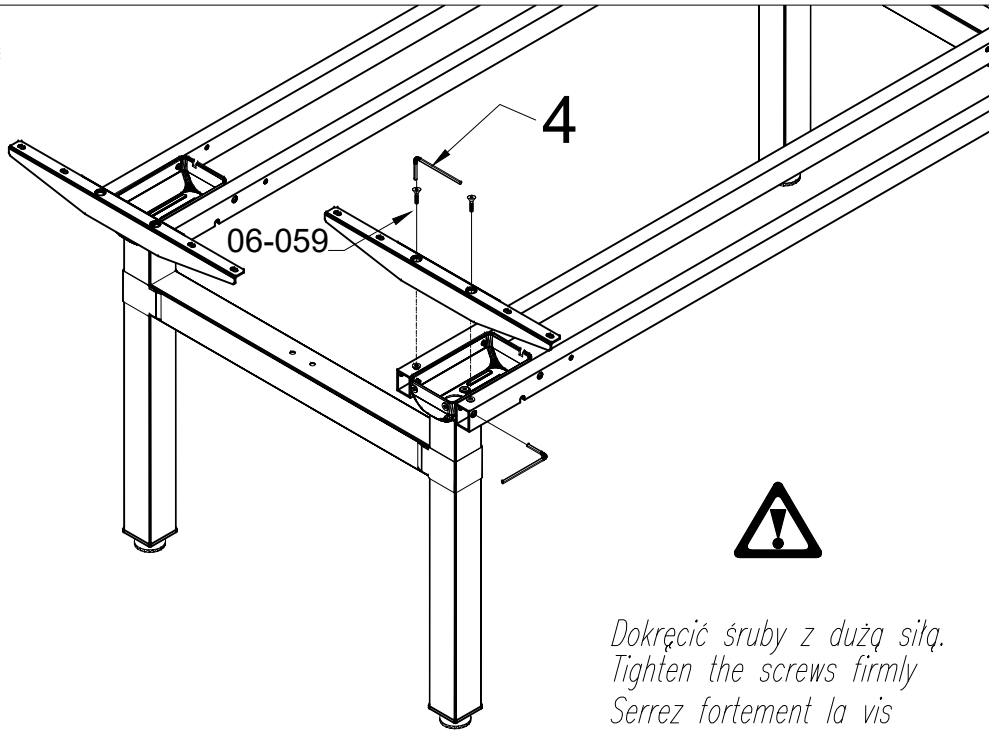
©



©

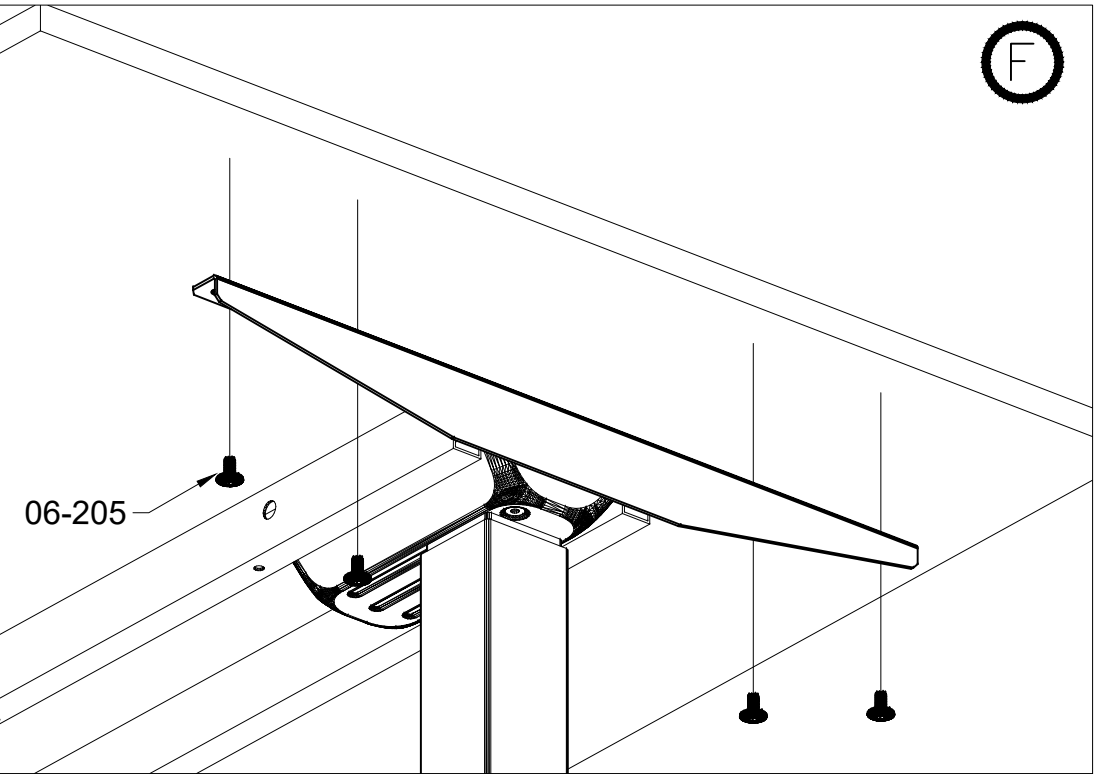


E

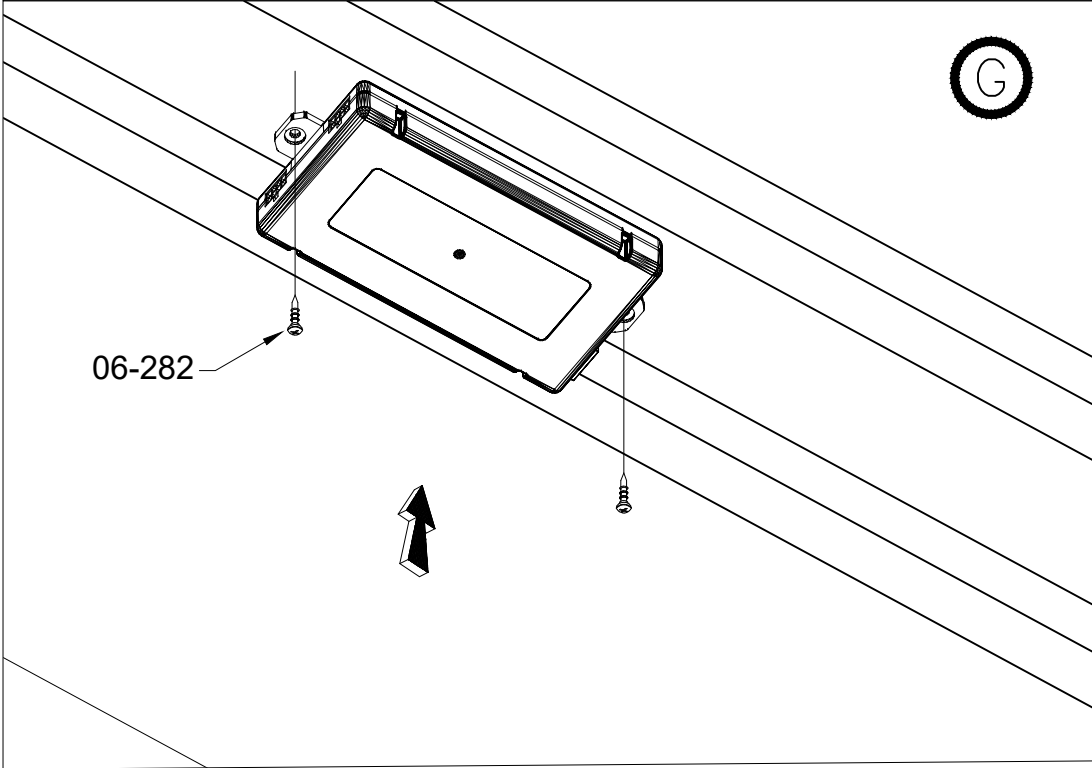


*Dokręć śruby z dużą siłą.
Tighten the screws firmly
Serrez fortement la vis
Ziehen Sie die Schrauben mit großer Kraft an*

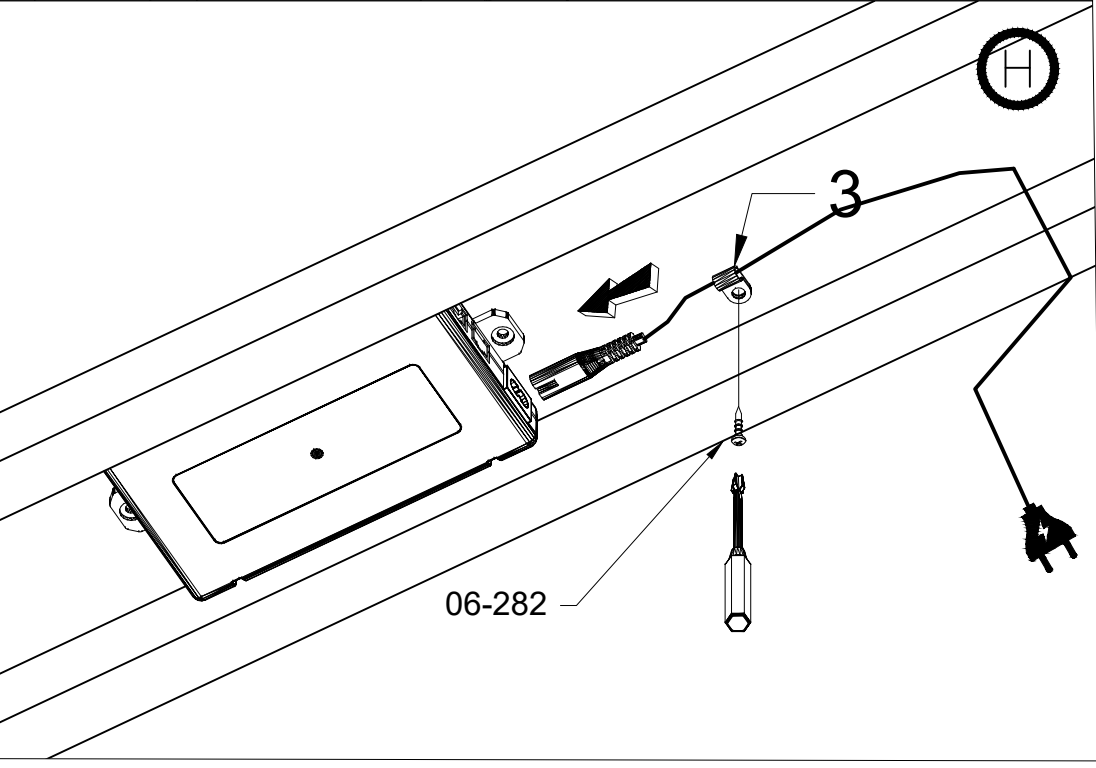
F



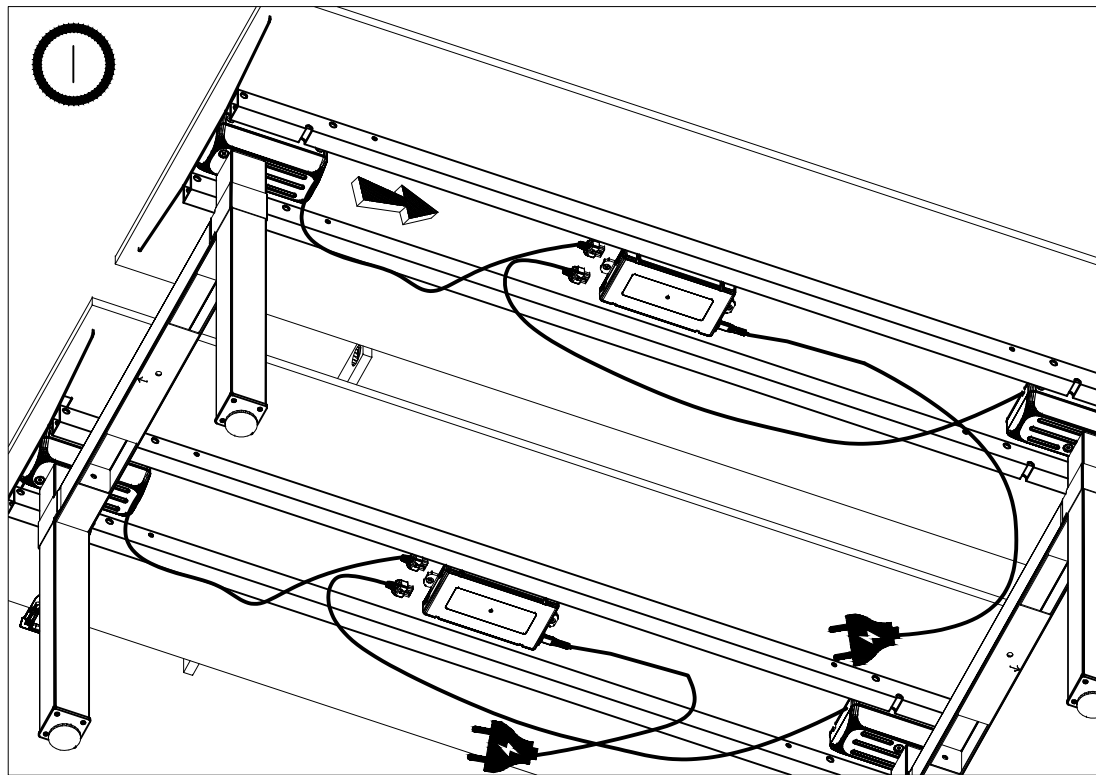
G



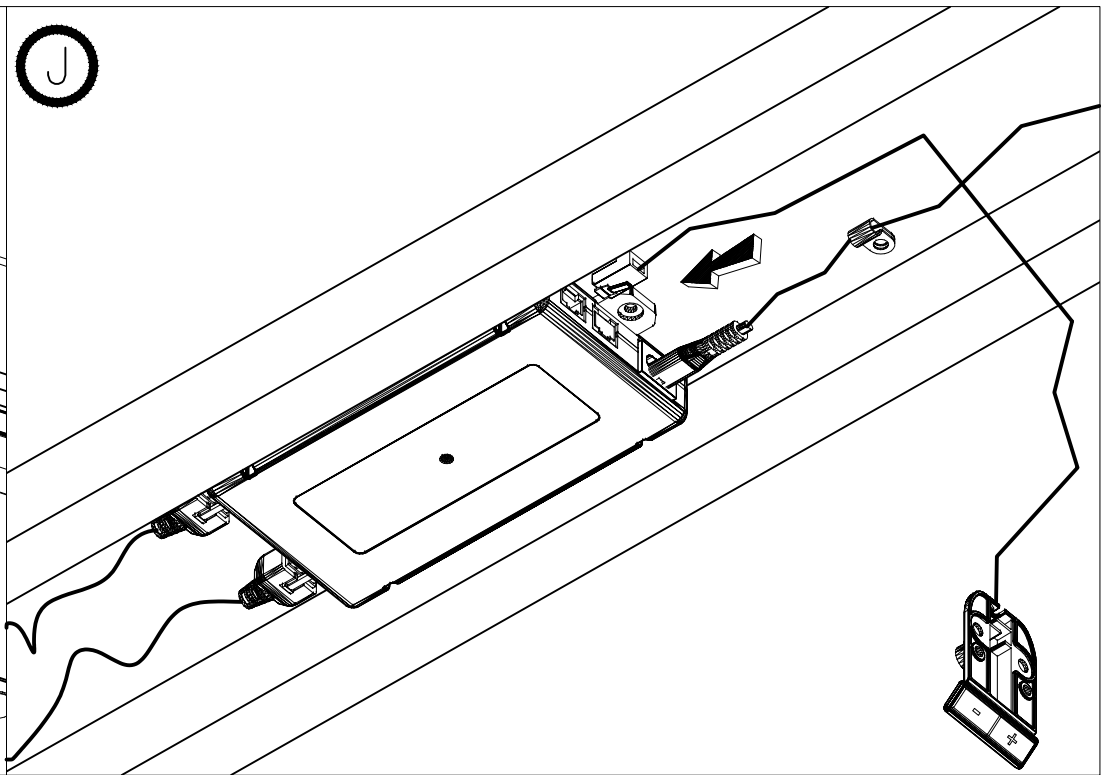
H



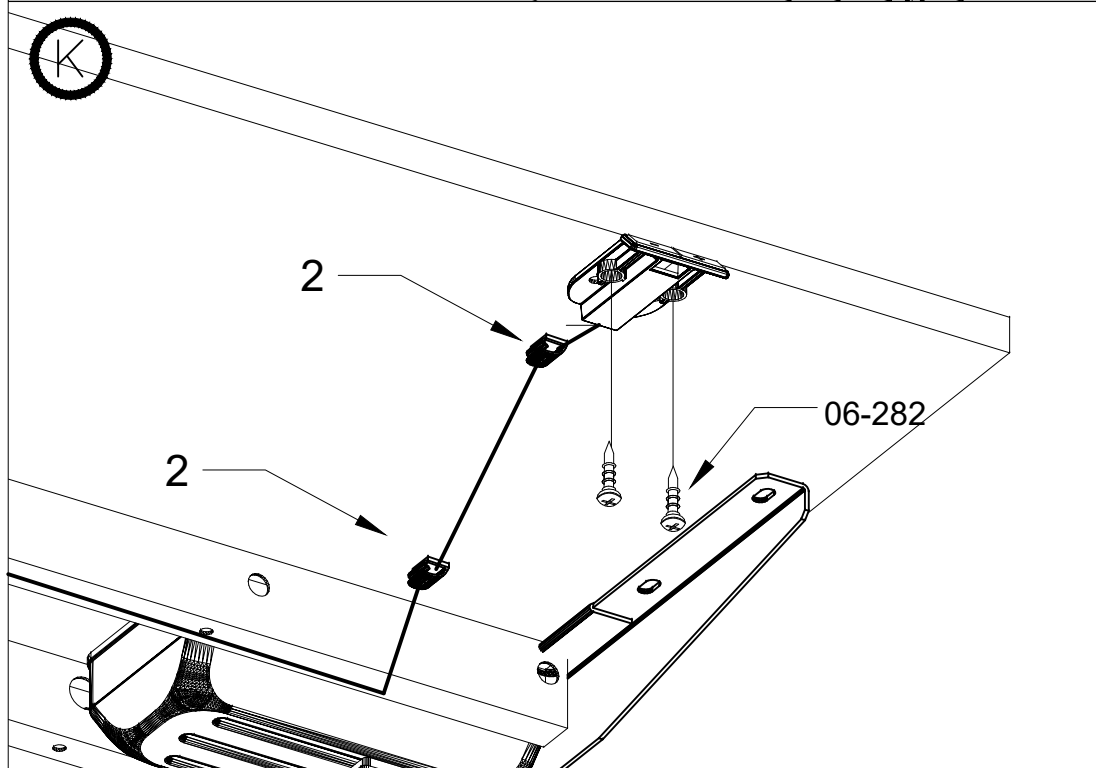
I



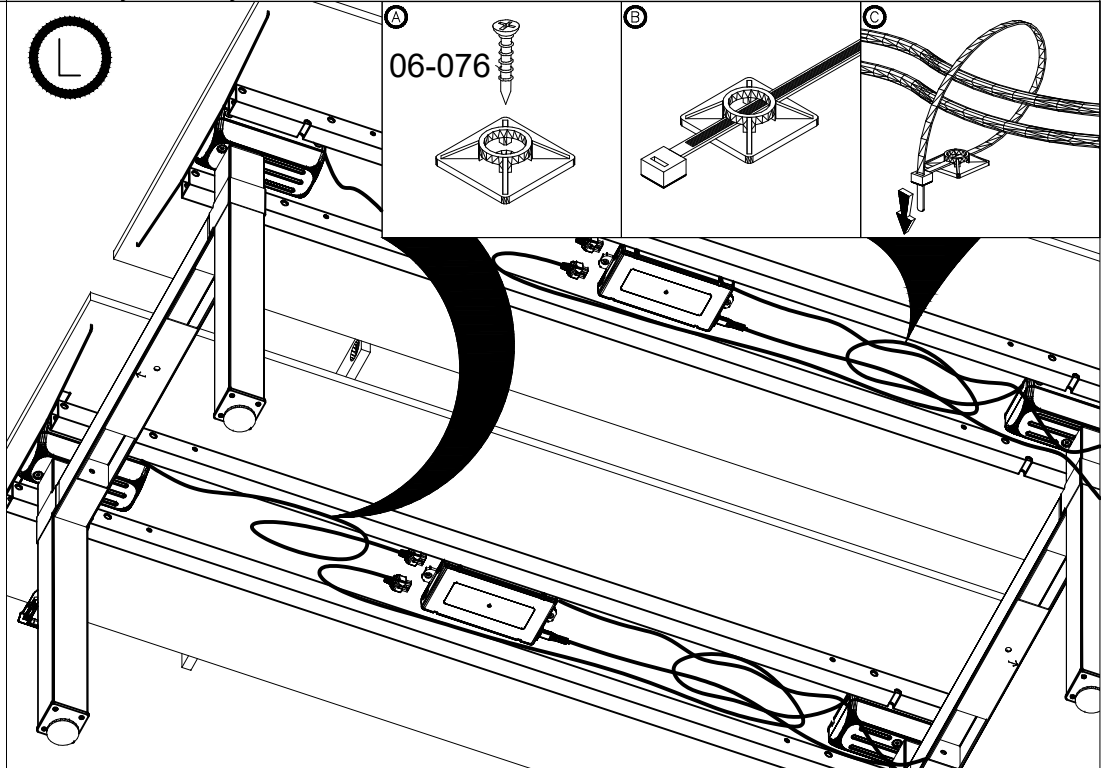
J



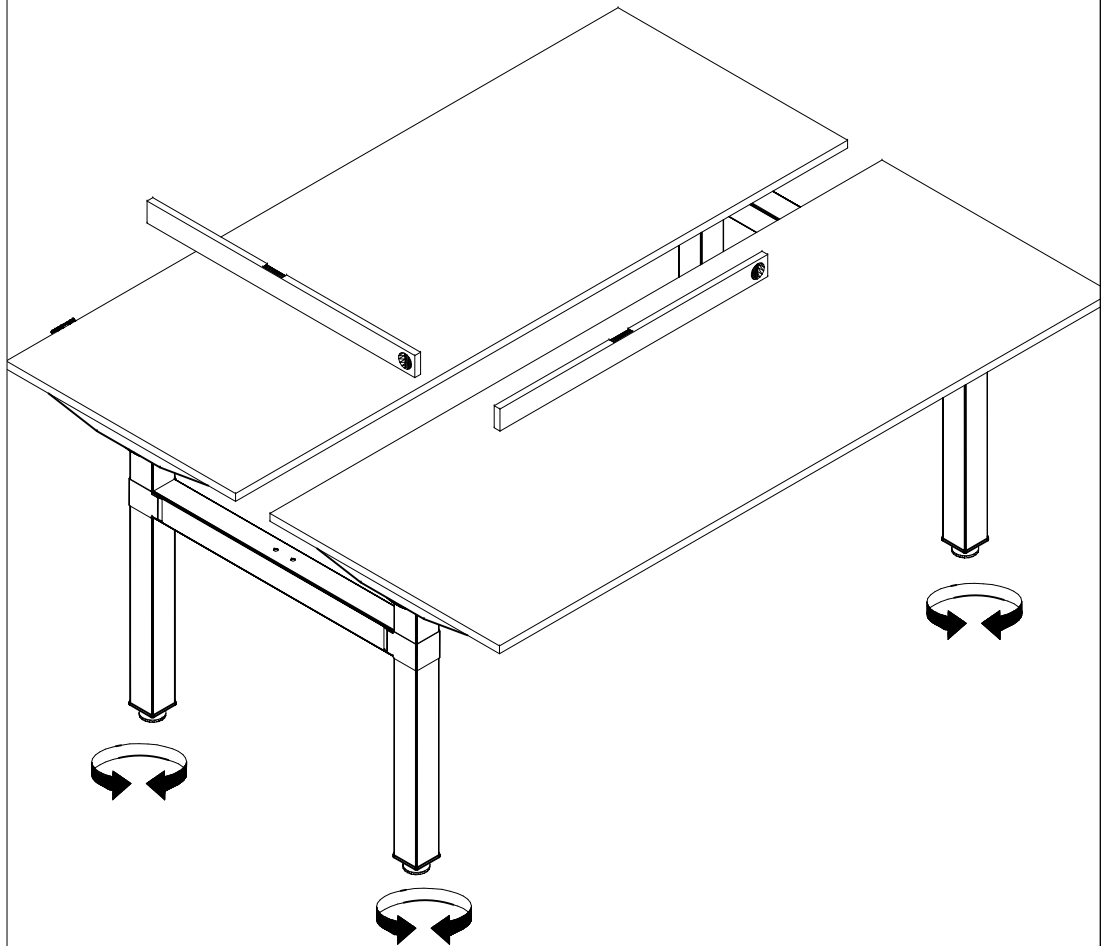
K



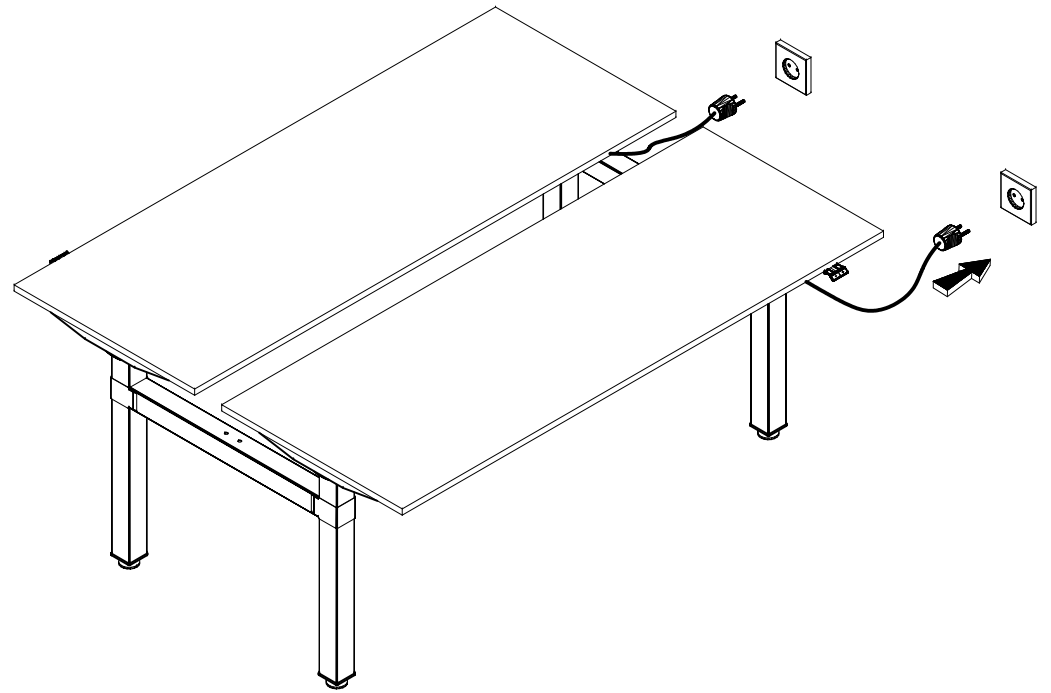
L



M

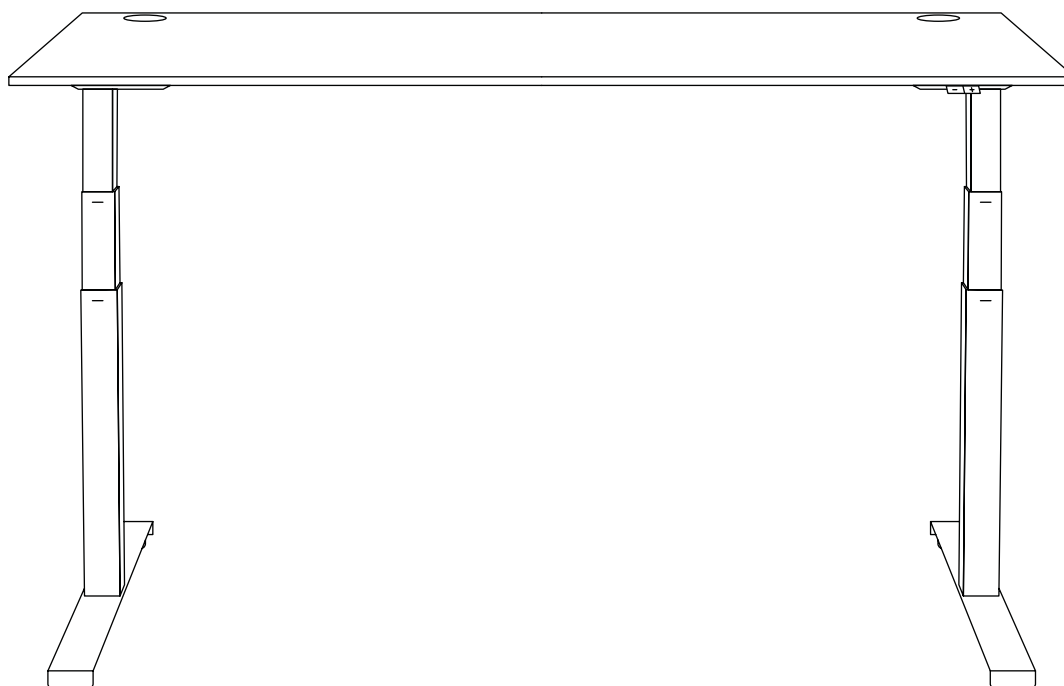


N





Controlling the electrical desk Ogi Drive / Ogi One / Compact Drive



General Information	10
Ogi Drive Desk Controllers	10
Compact Drive Desk Controller	11
Ogi One Desk Controller	11
Desk Calibration	12
Resetting Desk Settings	12
Basic Control Panel	12
PRO Control Panel	13
Round Control Panel	16

Attention!

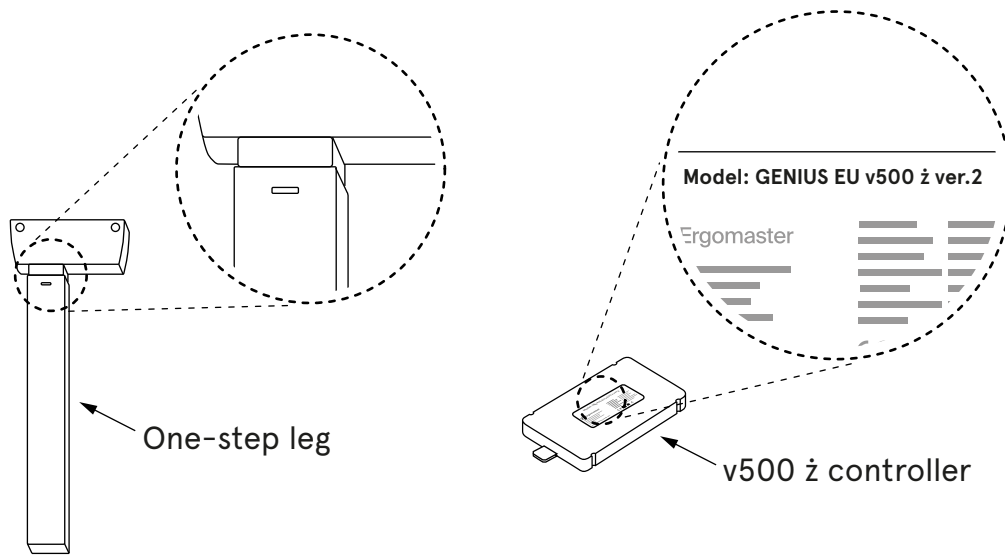
Calibrate your desk before using it for the first time! (see page 4).

General Information

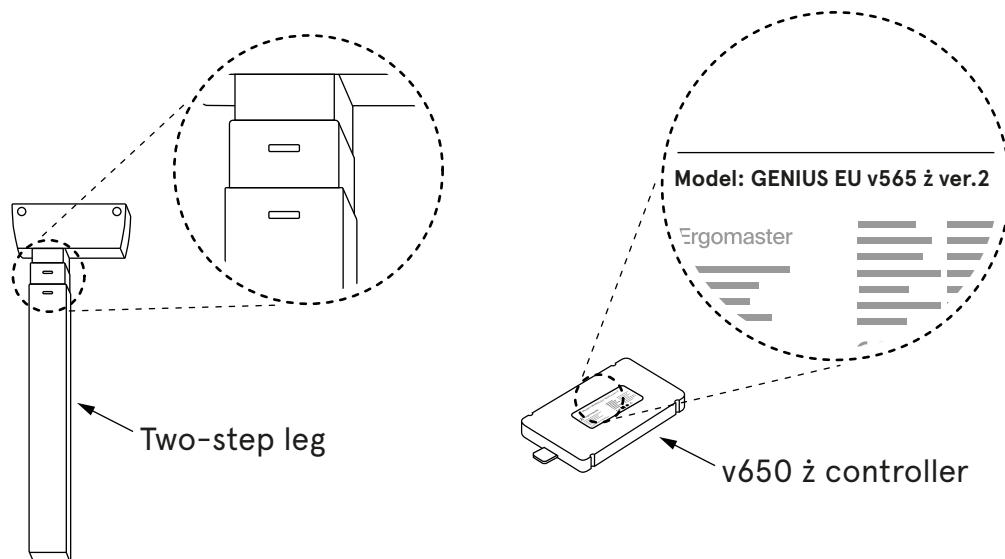
The height adjustment range of the worktop depends on the type of legs (one- or two-step) used in the desk. A different controller is used for each leg type.

Ogi Drive Desk Controllers

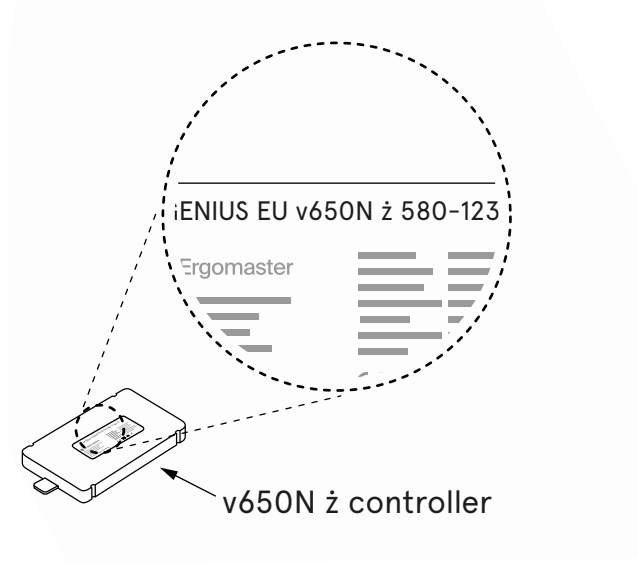
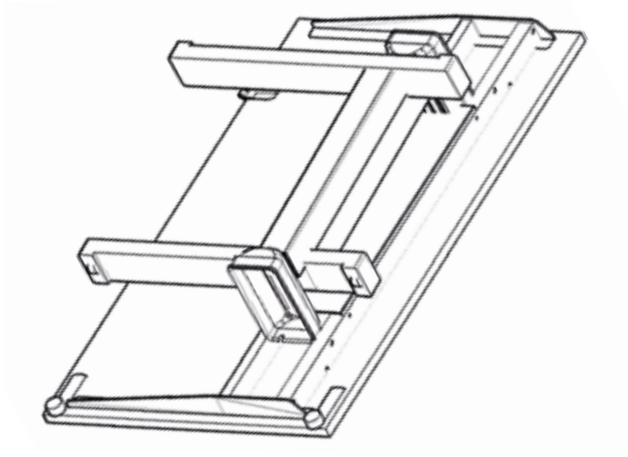
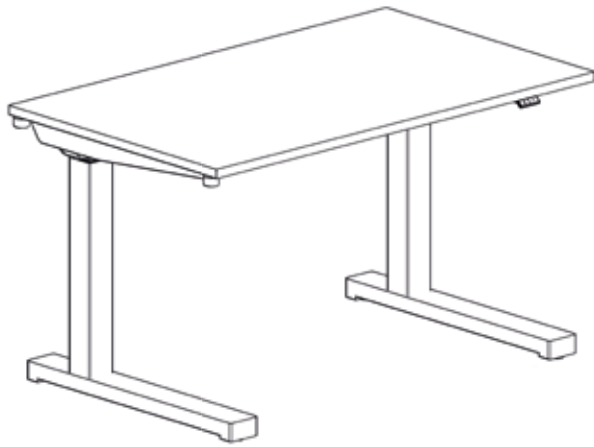
1. Ogi Drive desks with one-step leg



2. Ogi Drive desks with two-step leg



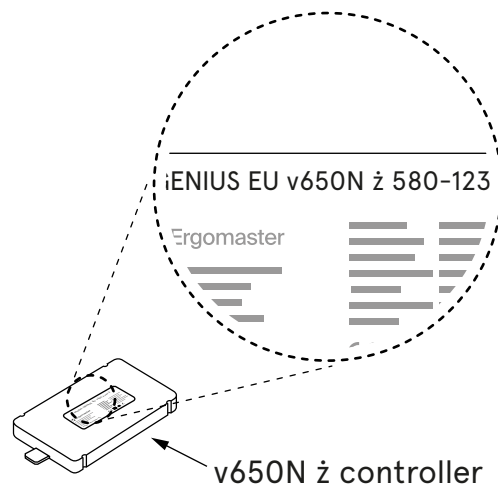
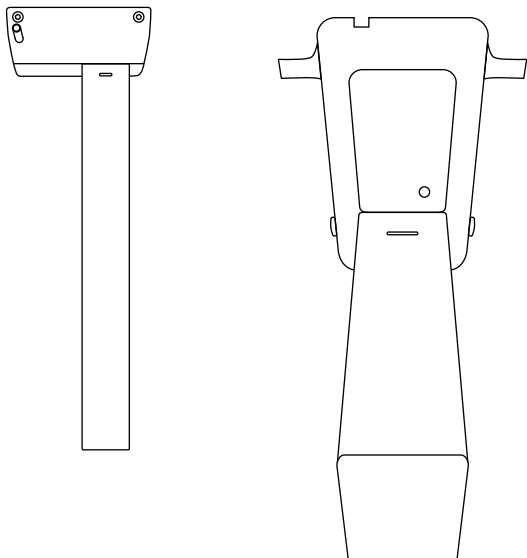
Compact Drive Desk Controller



www.mdd.eu

Ogi One Desk Controller

For Ogi One desks, we use the leg stem with so-called "whiskers". The controller has "N" in its index.



Desk Calibration



1. 1. Calibrate your desk before using it for the first time!
2. 2. Make sure your desk is plugged in and that all cables are well connected.
3. 3. Until the calibration is complete, the panel will not respond to the other buttons being pressed.
4. 4. Calibration should be repeated after each settings reset.

Calibration involves pressing the “-” button and holding it down until the desk descends to its lowest position and emits a characteristic double click (“click-click”).

In the case of the PRO and round panels, a message in English will be displayed, telling the user to press the “MINUS” button.

Only performing this step guarantees proper control of the desk height adjustment.

Resetting Desk Settings

Factory and user settings can be reset in two ways:

Method 1 - pressing buttons on the control panel

In order to restore the factory settings, that is to reset the user settings, please:

1. **Basic Panel** - press the „+“ and „-“ buttons simultaneously and hold them for approx. **4 seconds**.
2. **PRO Panel** - press the „S“ „+“ and „-“ buttons simultaneously and hold them for approx. 4 seconds. “Press “-” to reset” message will appear on the screen.
- 3.

Method 2 - removing the cable from the controller and re-calibration

With the power supply connected, please:

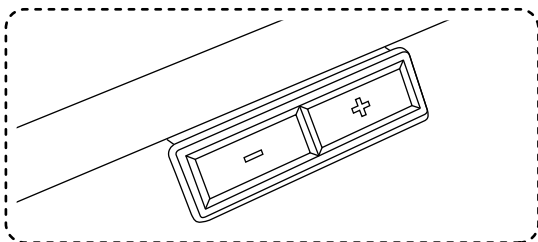
1. pull the plug of any of the columns/legs from the controller for about **5 seconds**,
2. unplug the power cable from the socket for **10 seconds**,
3. plug the cables back into the controller,
4. calibrate the desk (see page 4).



After resetting the desk settings (regardless of the method selected), it is necessary to calibrate the desk (see page 4).

Basic Control Panel

Only allows for height adjustment upwards “+” and downwards “-”. The anti-collision sensitivity is factory-set at the “**Medium**” level.

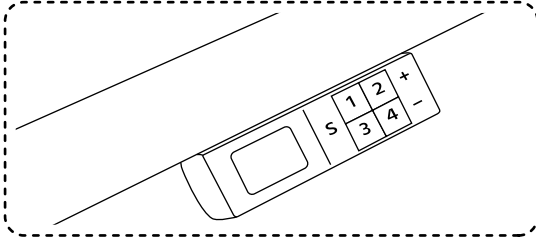


PRO Control Panel

PRO Panel - mounted under the worktop, there's a possibility to adjust the panel's extension.

Allows for:

1. setting the anti-collision sensitivity in three levels: **Low, Medium, High**, or turning it off completely,
2. programming 4 heights of the worktop,
3. setting a minimum and maximum height,
4. setting the ONE TOUCH GO adjustment mode – change of height by pressing the button once or by holding it down.



Setting the anti-collision system

The anti-collision system activates when the desk is hit from above when it vibrates too excessively or if there is an obstacle under the worktop, such as a chair, pedestal, etc.

The anti-collision system can be set at one of three sensitivity levels or turned off. The anti-collision sensitivity has three levels: **LOW, MEDIUM** and **HIGH**.

Anti-collision settings:

1. **LOW** – press „S” and 1 simultaneously. Hold the pressed buttons for approx. **4 seconds**, until the “ANTI-COLLISION SET ON LOW” message appears on the screen;
2. **MEDIUM** – press „S” and 2 simultaneously. Hold the pressed buttons for approx. **4 seconds**, until the “ANTI-COLLISION SET ON MEDIUM” message appears on the screen;
3. **HIGH** – press „S” and 3 simultaneously. Hold the pressed buttons for approx. **4 seconds**, until the “ANTI-COLLISION SET ON HIGH” message appears on the screen;
4. **Turning the anti-collision off** – press „S” and 4 simultaneously. Hold the pressed buttons for approx. **4 seconds**, until the “ANTI-COLLISION OFF” message appears on the screen.



Troubleshooting desk vibration during height-adjustment – see page 10.

Height memory

The PRO and round panels offer the ability to save 4 desk heights.

Saving the height:

1. press „S” and release,
2. press 1, 2, 3 or 4 and release the button.

Przykład:

Set the desk at the selected height, e.g. 74. Press “S”, release the button and press 1.

The “74 saved as 1” message will appear on the screen.

Do the same while saving the rest of the height settings. It is possible to save up to 4 worktop heights.

Setting the minimum and maximum heights with the PRO panel

Minimum height

1. Set the desk to the selected minimum height.
2. Hold the "S" and „-" buttons for **4 seconds**.

Maximum height

1. Set the desk to the selected maximum height.
2. Hold the "S" and „+" buttons for **4 seconds**.

The settings will be saved and while an attempt is made to raise or lower the worktop beyond the "min/max" range, the desk will stop at the previously saved minimum or maximum height.



To remove the saved minimum and maximum height, reset the desk according to the **Resetting Desk Settings** section.

Setting the ONE TOUCH GO adjustment mode

Adjustment by pressing the saved height button once / adjustment to the saved height by pressing and holding the button until the desk is at the saved height.

Turning the ONE TOUCH GO mode on / off

1. Press the **2** and **4** buttons simultaneously. Hold them for a minimum of **4 seconds**.
2. Depending on whether you have turned the function on or off, the "ONE TOUCH GO ON" or "ONE TOUCH GO OFF" message will appear on the screen.

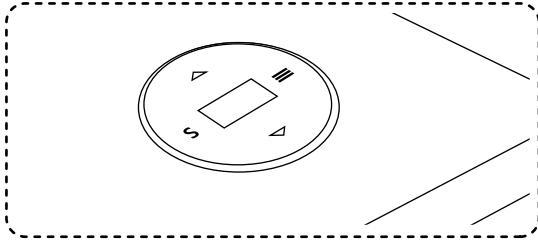
All options of the PRO Control Panel

Buttons							Holding time	Action
S	1	2	3	4	+	-		
					*			upward movement
						*		downward movement
HEIGHT MEMORY								
*	*						Press "S" first, then a number	current height saved as 1
*		*						current height saved as 2
*			*					current height saved as 3
*				*				current height saved as 4
SETTING THE SAVED HEIGHT								
	*							worktop moves to saved height 1
		*						worktop moves to saved height 2
			*					worktop moves to saved height 3
				*				worktop moves to saved height 4
MANUAL REINITIALISATION / CALIBRATION / FACTORY SETTINGS								
*					*	*	min 4 sek.	then press [-] to RESET
SETTING THE ANTI-COLLISION SENSITIVITY								
*	*						min 4 seconds	low sensitivity
*		*					min 4 seconds	medium sensitivity
*			*				min 4 seconds	high sensitivity
*				*			min 4 seconds	anti-collision off
CHANGING MEASUREMENT UNITS								
*	*					*	min 4 seconds	inch / centimetre conversion
JASNOŚĆ WYŚWIETLACZA								
	*				*	*	min 4 seconds	brightness 1
		*			*	*	min 4 seconds	brightness 2
			*		*	*	min 4 seconds	brightness 3
				*	*	*	min 4 seconds	brightness 4
SETTING THE HEIGHT RANGE								
*					*		min 4 seconds	minimum height
*						*	min 4 seconds	maximum height
ONE TOUCH GO								
		*		*			min 4 seconds	turn ONE TOUCH GO on / off
	*	*					min 4 seconds	information about MP4
			*	*			min 4 seconds	information about the charger
ERRORS								
MOTOR TEMPERATURE TOO HIGH							COOLING TIME	
DESK TOO HEAVILY LOADED							DESK OVERLOAD	
COLLISION DURING UPWARD MOVEMENT							UPPER ANTICOLLISION	
COLLISION DURING DOWNWARD MOVEMENT							LOWER ANTICOLLISION	

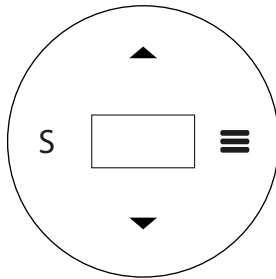
Round Control Panel

Round panel, built-in the worktop, has the following functions:

1. setting the anti-collision sensitivity in three levels: Low, Medium, High,
2. programming 4 heights of the worktop,
3. setting a minimum and maximum height.

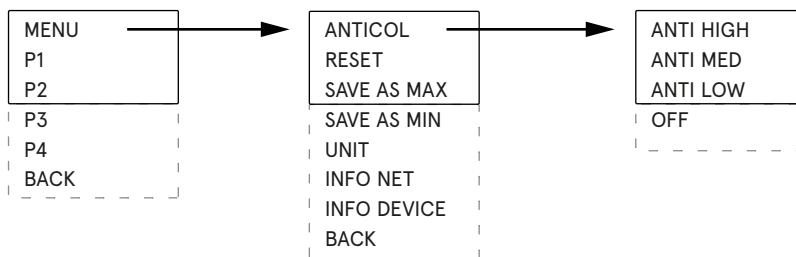


Panel operation



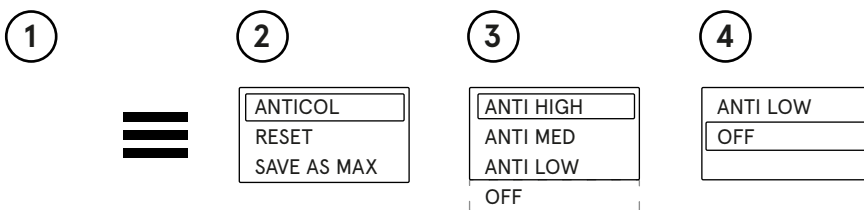
- ≡ Enter menu
- S Confirm selection
- ◀▶ Moving through the MENU

All positions in the MENU:



Setting the anti-collision sensitivity

1. Press "=" to enter the menu.
2. Use the arrows to select the **ANTICOL** option and enter it by pressing "S".
3. Use the arrows to select the system sensitivity and confirm it by pressing "S".
4. In order to turn off the anti-collision in the **ANTICOL** menu go to the very bottom and select **OFF**.

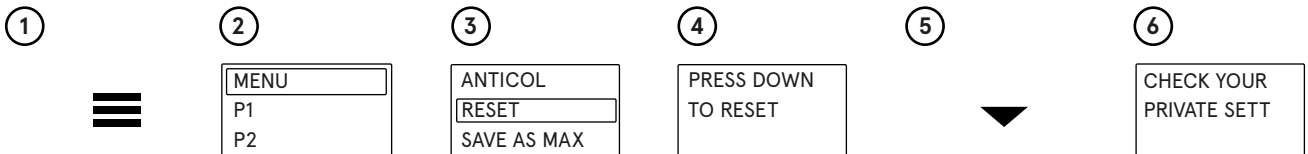


Reset settings

Round panel allows the settings to be reset to factory settings.

In order to do this:

1. Enter the menu „≡”,
2. select the “MENU” option with the “S” button,
3. select the “RESET” option with the “S” button,
4. a “PRESS DOWN TO RESET” message will appear,
5. press the “▼” and wait for the desk to go all the way down,
6. a “CHECK YOUR PRIVATE SETT” message will appear. It means that the reset process was successful.

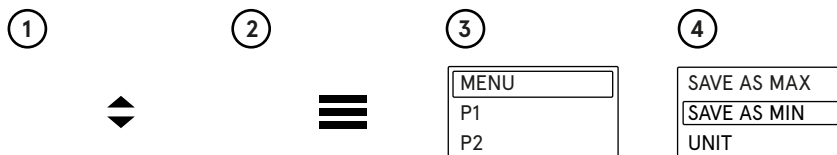


Setting the minimum and maximum heights

Round panel allows for setting the minimum and maximum heights, to which the worktop will move after pressing the “◆” buttons.

Setting the preferred minimum height

1. Use the “◆” buttons to set the worktop at your preferred height.
2. Press “≡” to enter the MENU.
3. Select the “MENU” option with the “S” button.
4. Use the arrows to select the “SAVE AS MIN” and press “S”.



With this, the minimum height to which the worktop will be lowered has been saved. To set the maximum height of the worktop, follow all the above steps, only in step 4 select the “SAVE AS MAX” option.

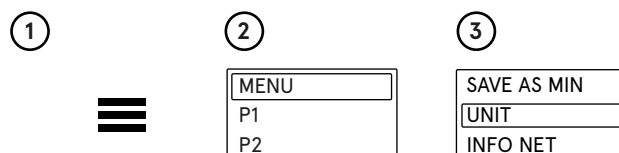
i If you wish to resign from the min and max height settings, reset the desk according to the Resetting Desk Settings section.

cm / inch unit conversion

The height can be displayed in centimetres or inches.
In order to change the measurement unit, please:

1. Enter the menu „≡”
2. Select the “MENU” option with the “S” button,
3. Select the “UNIT” option with the “S” button.

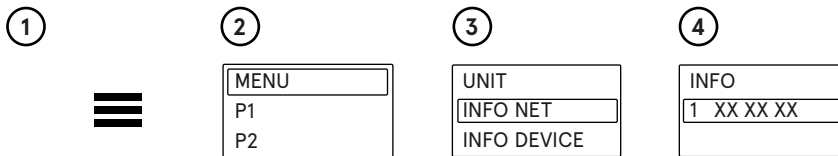
This will change the unit from centimetres to inches or from inches to centimetres.



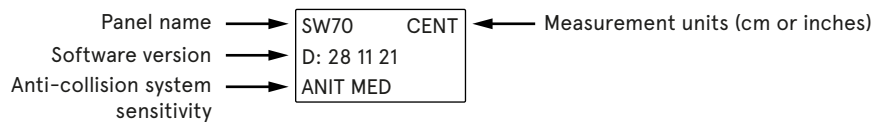
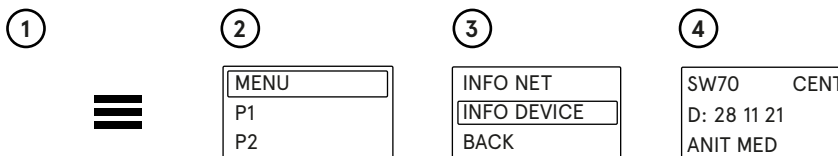
Information on the software version

To find out the software version, please:

1. Enter the menu "☰",
2. Select the "MENU" option with the "S" button,
3. Select the "INFO NET" option with the "S" button,
4. Information on the software version will appear.



Information on basic desk settings



Troubleshooting of the anti-collision system



In case when the desk is overloaded on one side, e.g. there is a monitor, a printer and everything is on the right or left side and not in the middle, the desk may vibrate when lowering. If the anti-collision system is set to the HIGH sensitivity, then such vibrations will cause the desk to stop.

