

Hana technical specification



.mdd

MDD has a leading position among manufacturers of office furniture with many awards that prove quality and continuously increase demand for its products.

The realities of today's market require constant quality improvement at all levels of modern organization. This applies in particular to customer service, marketing, quality of products and also to quality of processes within the company.

Partnership relations among employees and with business partners form a base of economic growth and success of the company.

Constant investments in innovative machinery park, optimization of management systems and an expansion of production halls allow to minimize the lead times for the product of the highest quality.

More than twenty years of experience in office furniture industry come with reference from a long list of companies and institutions to show their appreciation for an efficient and comprehensive service.

MDD is highly aware of the environment.

Being located in the forest region with lake by its side, MDD takes the nature seriously and invests constantly in a modern and energy-efficient solutions to preserve the local life. Company puts emphasis on waste segregation and recycling. MDD has been awarded for the exceptional care and involvement in waste disposal. All materials used are environmentally friendly and enjoy a high 95 % rate of being recycled.



General informations:

Warranty:

MDD products - **5 years.**

Electrical components and fabric - **2 years.**

Boards density:

12 mm - 690 - 750 kg/m³

18 mm - 650 - 690 kg/m³

28 mm - 610 - 630 kg/m³

36 mm - 610 - 630 kg/m³

Certificate - MFC:



Certificate - fabric:



Assembly:

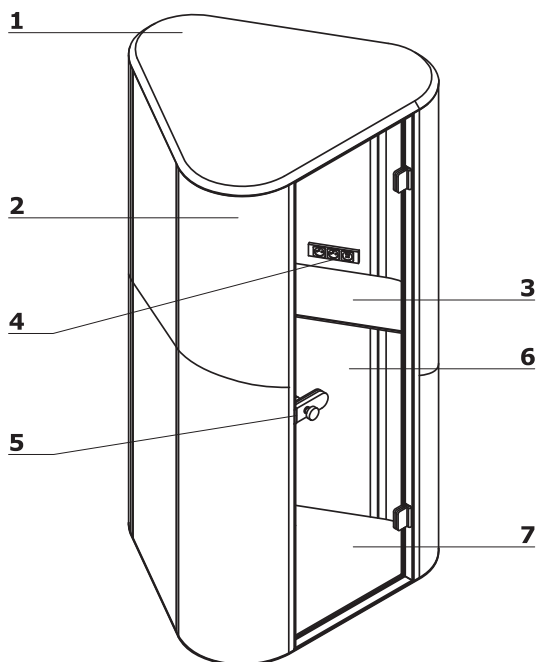
product delivered in separate elements

Packing:

wooden crates

<p>Hana</p>	<p>Date of preparation 20.12.2019</p>	<p>The data contained in this document is valid in the day of its preparation. Change of the product, as long as it does not affect the basic features of it, does not require consistent updates of the document.</p>	<p>page 2/7 general informations</p>
--------------------	---	--	---

Office booth - Hana



1. Top panel:

* outside - MDF 28 mm, upholstered, colour: LDS27 - black

* inside - chipboard 12 mm upholstered, colour: LDS27 - black, two-point lighting; exhaust fan activated by a motion detector; ventilation grate in the floor

2. Body - 58 mm, upholstered walls with acoustic filling

3. Shelf - MDF board 28 mm, lacquered, measurements: 1070x388x28x28 mm, colour: black

4. Mediabox - 2x230V + 1xUSB + 1xUSB type C

5. Rotary knob - powder coated steel, colour: black

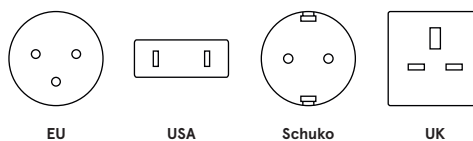
6. Door - toughened glass 8 mm, clear

7. Bottom rim:

* outside - MDF 28 mm, upholstered, colour: LDS27 - black

* inside - chipboard 18 mm, carpet, colour: graphite

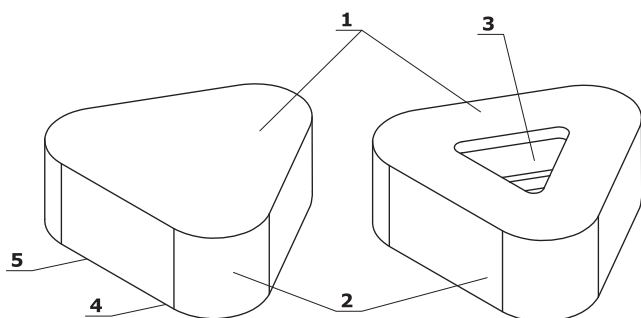
Electric systems available:



Additional information:

- certificated Sonic technology used in acoustic panels
- automatic light switch simultaneously activating the ventilation system
- 2 fans: 1 intake and 1 exhaust; volume 14dB, efficiency 90m3/h

Stool



1. Seat - upholstered, filled with 60 mm thick foam

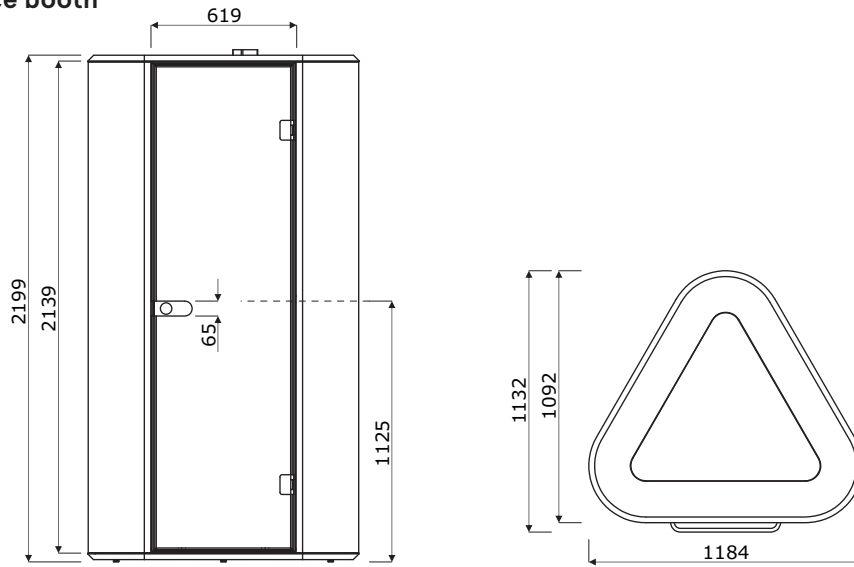
2. Body - chipboard frame

3. Plant pot - plastic, depth 470 mm

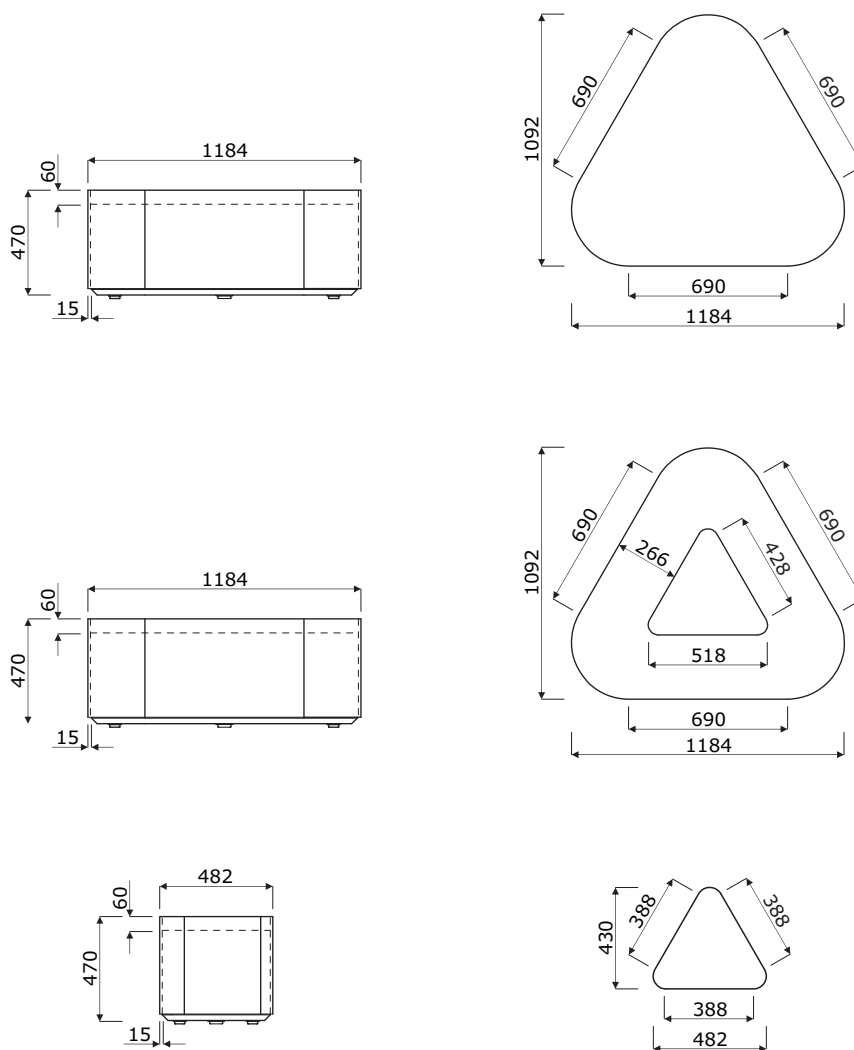
4. Feet - plastic, 3 units

5. Base - MDF 28 mm, lacquered, colour: black

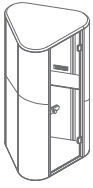
Dimensions - office booth



Dimensions - stool

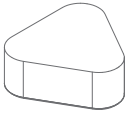


Office booth *

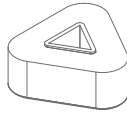


HN01
1184 / 1092 / 2217
340 kg

Stool *



HN02
1184 / 1092 / 470
50 kg



HN03
1184 / 1092 / 470
47 kg



HN04
502 / 450 / 470
20 kg

* dimensions expressed in millimeters: width x depth x height

Hana	Date of preparation 20.12.2019	The data contained in this document is valid in the day of its preparation. Change of the product, as long as it does not affect the basic features of it, does not require consistent updates of the document.	page 5/7
			products

Fabric Medley - second group



Technical data:

Material polyester 100%

Fabric weight 510 g/lm (16.45 oz/lin.yd.)

Abrasion resistance rubs BS EN ISO 12947-2, 75,000 cykli Martindale

Pilling resistance scale 1-5, max. 5, EN ISO 12945-2 (4)

Colour fastness to light scale 1-8, max. 8, EN ISO 105-B02 (5-7)

Colour fastness to rubbing scale 1-5, max. 5, EN ISO 105x12 (wet/dry (4-5/4-5))

Acoustic test sound absorption ISO 354

Flammability BS EN 1021-1 (cigarette)
BS 476 Part 7, Class 2
Class Uno UNI 9174 - UNI 8457
CA TB 117-2013
ASTM E 84 Class I

Fabric River - second group



Technical data:

Material polyester 100%

Fabric weight 300g/m2 (+/- 5%)

Abrasion resistance rubs 100,000 Martindale cycles (EN ISO 12947-1,2)

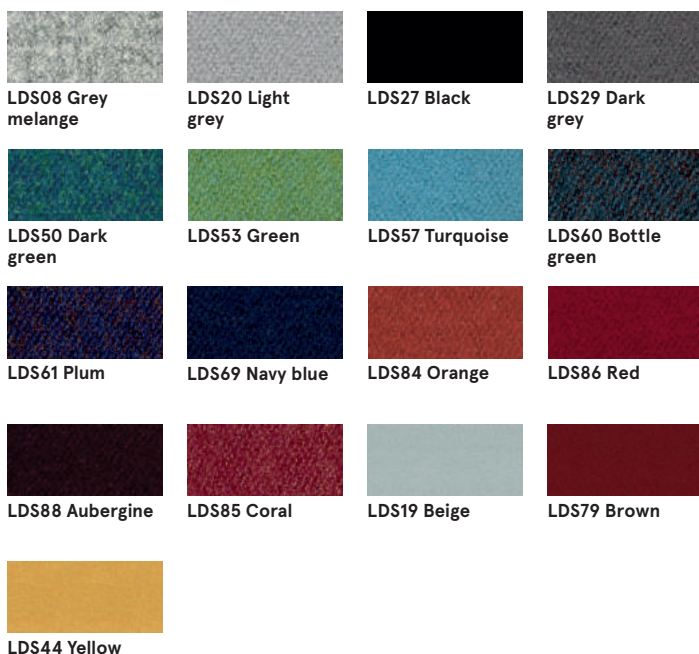
Pilling resistance EN ISO 12945-2 (5)

Colour fastness to light 4 (EN ISO 105-B02)

Colour fastness to rubbing dry: 4-5, wet: 3 (EN ISO 105-x12)

Flammability BS 5852: Part 1, Ignition Source 0 (cigarette)
BS 5852: Part 1, Ignition Source 1 (match)
En1021 - 2

Fabric Synergy - third price group



Technical data:

Material 95% Virgin Wool, 5% Poliamid

Fabric weight 400g/m2 ±5% (560 g/lin.m ±5%)

Abrasion resistance rubs Independently certified
≥100,000 Martindale cycles

Colour fastness to light 5 (ISO 105 - B02)

Colour fastness to rubbing ISO 105 - X12 - wet: 4, dry: 4

Flammability EN 1021 - 1 (cigarette, EN 1021 - 2 (match), BS 7176 Low Hazard, UNI 9175 Classe 1 IM, ÖNORM B 3825 & A 3800-1

Fabric Atlas – fourth price group



Technical data:

Material 90% new wool, 10% nylon
Fabric weight 286g/m2, 400g/lm
Abrasion resistance rubs 100,000 cykli Martindale, EN ISO 12947
Colour fastness to light ISO 105 B02: 6-7
Colour fastness to rubbing ISO 105-X12:2001, (wet/dry) 4-5/4-5
Flammability BS EN 1021-2 Match, BS EN 1021-1 Cigarette, BS 5 5852 Crib 5, BS 5852 ignition source 3, BS 5852 Part 1, NF D 60 013, UNI 9175 11M, US Cal. Bull. 117-2013

Fabric Field2 – fourth price group



Technical data:

Material 100% Trevira CS
Fabric weight 321g/m2, 450g/lm
Abrasion resistance rubs 100,000 cykli Martindale, EN ISO 12947
Colour fastness to light ISO 105 B02: 5-7
Flammability BS EN 1021-2 Match, BS EN 1021-1 Cigarette, BS 5 5852 Crib 5, DIN 4102 B1 FAR 25.853, UNI 9177 classe 1, US Cal. Bull. 117-2013