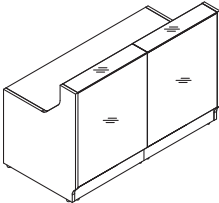
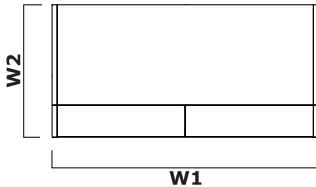


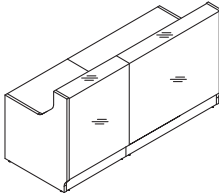
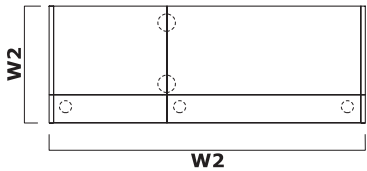
Symbol		Dimensions					kg m3 pcs	Composition elements
		W1	W2	D1	D2	H		
LIN08		856	824			1105	86.4 kg 0.345 m3 5 pcs	LN5L+LNB08+LN08+LN5P
LIN13		1256	824			1105	107.55 kg 0.479 m3 5 pcs	LN5L+LNB13+LN12+LN5P

Extra charge						

Symbol		Dimensions					kg m3 pcs	Composition elements
		W1	W2	D1	D2	H		
LIN15		1656	824			1105	142.3 kg 0.623 m3 7 pcs	LN5L+LNB15+2xLN08+LN5P

Extra charge						
Monitor shelf x1						
X						

Symbol		Dimensions					kg m3 pcs	Composition elements
		W1	W2	D1	D2	H		
LIN20		2056	824			1105	166.5 kg 0.826 m3 10 pcs	LN5L+LNB13+LN08+LN12+LNB08 +LN5P+NL41

Extra charge						
Monitor shelf x1						
X						

Symbol		Dimensions					kg m3 pcs	Composition elements
		W1	W2	D1	D2	H		
LIN25		2456	824			1105	184.65 kg 0.955 m3 9 pcs	LN5L+2xLNB13+2xLN12+LN5P+NL41

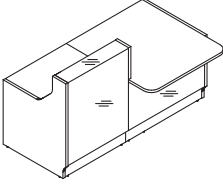
Extra charge						
Monitor shelf x1	Monitor shelf x 2					
X	X					

Symbol		Dimensions					kg m3 pcs	Composition elements
		W1	W2	D1	D2	H		
LIN29L	LIN29P	1850	1150	822	850	1105	168.8 kg 1.296 m3 9 pcs	A - LN6L+LNU11+LN4L+LNB08+LN91+LN3P+NL41 B - LN3L+LN91+LNB08+LN4P+LNU11+LN6P+NL41
LIN291L	LIN291P	1650	1150	822	850	1105	161.3 kg 1.269 m3 9 pcs	A - LN6L+LNU18+LN4L+LNB08+LN91+LN3P+NL41 B - LN3L+LN91+LNB08+LN4P+LNU18+LN6P+NL41

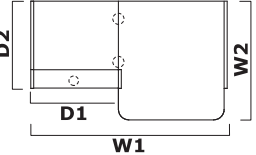
Extra charge						

Symbol		Dimensions					kg m3 pcs	Composition elements
		W1	W2	D1	D2	H		
LIN35L	LIN35P	2650	1150	1622	850	1105	227.7 kg 1.58 m3 12 pcs	A - LN6L+LNU11+LN4L+LN08+LNB15+LN91+LN3P+NL41 B - LN3L+LN91+LNB15+LN08+LN4P +LNU11+LN6P+NL41
LIN351L	LIN351P	2450	1150	1622	850	1105	220.2 kg 1.553 m3 12 pcs	A - LN6L+LNU18+LN4L+LN08+LNB15+LN91+LN3P+NL41 B - LN3L+LN91+LNB15+LN08+LN4P +LNU18+LN6P+NL41

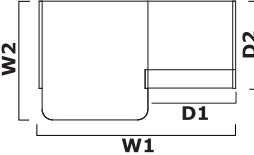
Extra charge						
Monitor shelf x1						
X						
X						



A

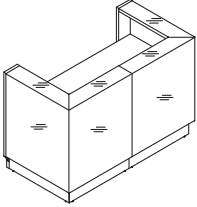



B



Symbol			Dimensions					kg m3 pcs	Composition elements
A	B		W1	W2	D1	D2	H		
LIN33L	LIN33P		1856	1122	828	824	1105	128.25 kg 0.562 m3 9 pcs	A - LN6L+LNU11+LN4L+LN08+LNB08+LN5P+NL41 B - LN5L+LNB08+LN08+LN4P+LNU11+LN6P+NL41
LIN331L	LIN331P		1656	1122	828	824	1105	120.75 kg 0.536 m3 9 pcs	A - LN6L+LNU18+LN4L+LN08+LNB08+LN5P+NL41 B - LN5L+LNB08+LN08+LN4P+LNU18+LN6P+NL41

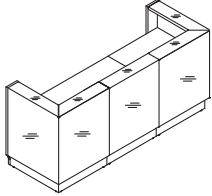
Extra charge						

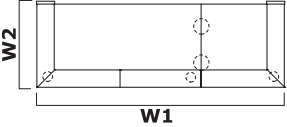




Symbol			Dimensions					kg m3 pcs	Composition elements
W1	W2		D1	D2	H				
LIN36			1644	850			1105	225.45 kg 2.096 m3 8 pcs	LN3L+LNB15+2xLN91+LN3P

Extra charge						





Symbol			Dimensions					kg m3 pcs	Composition elements
W1	W2		D1	D2	H				
LIN42			2444	850			1105	281.4 kg 2.439 m3 12 pcs	LN3L+LNB08+2xLN91+LN08+LNB15+LN3P+NL41

Extra charge						

Symbol		Dimensions					kg m3 pcs	Composition elements
		W1	W2	D1	D2	H		
LIN43		2844	850			1105	302.6 kg 2.637 m3 14 pcs	LN3L+LNB08+2xLN91+LNB13 +LN12+LNB08+LN3P+2xNL41

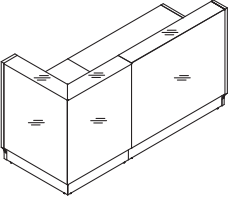
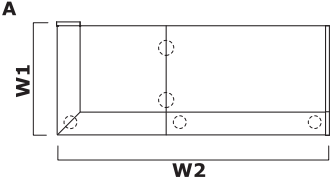
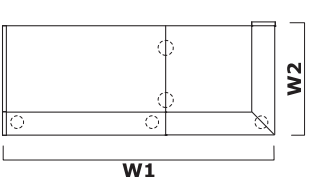
Extra charge					

Symbol		Dimensions					kg m3 pcs	Composition elements
		W1	W2	D1	D2	H		
LIN37L	LIN37P	1650	850			1105	185.85 kg 1.362 m3 8 pcs	A - LN5L+LN08+LNB15+LN91+LN3P B - LN3L+LN91+LNB15+LN08+LN5P

Extra charge					

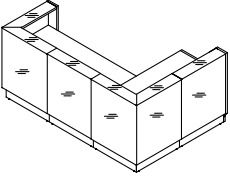
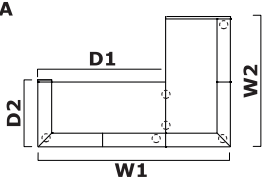
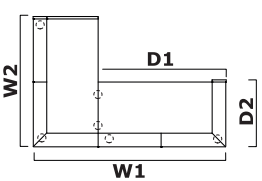
Symbol		Dimensions					kg m3 pcs	Composition elements
		W1	W2	D1	D2	H		
LIN34L	LIN34P	2256	1122	1228	824	1105	152.4 kg 0.701 m3 10 pcs	A - LN6L+LNU11+LN4L+LN12+LNB13+LN5P+NL41 B - LN5L+LNB13+LN12+LN4P+LNU11+LN6P+NL41
LIN341L	LIN341P	2056	1122	1228	824	1105	144.9 kg 0.674 m3 10 pcs	A - LN6L+LNU18+LN4L+LN12+LNB13+LN5P+NL41 B - LN5L+LNB13+LN12+LN4P+LNU18+LN6P+NL41

Extra charge					

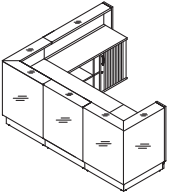
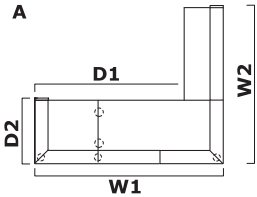
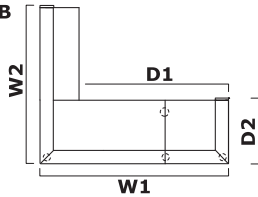
Symbol		Dimensions	kg m3 pcs	Composition elements
A	B			
LIN38L	LIN38P	W1: 2050 W2: 850 D1: D2: H: 1105	207.05 kg 1.56 m3 10 pcs	A - LN5L+LNB13+LN12+LNB08+LN91+LN3P+NL41 B - LN3L+LNB08+LN91+LNB13+LN12+LN5P+NL41

Extra charge					

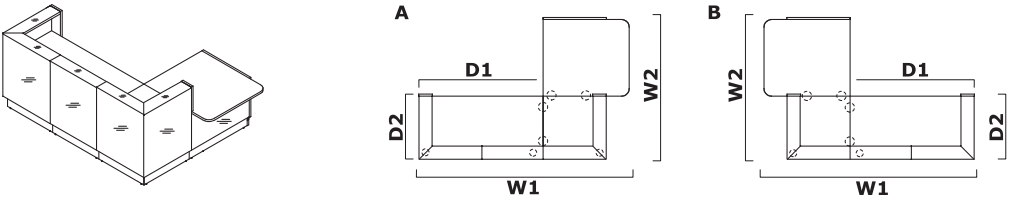
Symbol		Dimensions	kg m3 pcs	Composition elements
A	B			
LIN39L	LIN39P	W1: 2444 W2: 1650 D1: 1622 D2: 850 H: 1105	347.75 kg 2.735 m3 14 pcs	A - LN5L+2xLN08+2xLNB15+2xLN91+LN3P+NL41 B - LN3L+2xLN91+2xLNB15+2xLN08+LN5P+NL41

Extra charge					

Symbol		Dimensions	kg m3 pcs	Composition elements
A	B			
LIN40L	LIN40P	W1: 2444 W2: 2050 D1: 1950 D2: 850 H: 1105	389.2 kg 3.283 m3 16 pcs	A - LN3L+LN12+L2Z06+2xLN91+LNB15+LN08+LNB08+LN3P+NL41 B - LN3L+LNB08+2xLN91+LN08+LNB15+L2Z06+LN12+LN3P+NL41

Extra charge					



Symbol		Dimensions	kg m3	pcs	Composition elements			
A	B					W1	W2	D1
LIN41L	LIN41P	2744	1850	1622	850	1105	333.7 kg 2.674 m3 16 pcs	A - LN6L+LNU11+LN4L+2xLN91+LNB08+LN08+LNB15+LN3P+2xNL41 B - LN3L+2xLN91+LNB15+LN08+LNB08+LN4P+LNU11+LN6P+2xNL41
LIN411L	LIN411P	2744	1650	1622	850	1105	326.2 kg 2.648 m3 16 pcs	A - LN6L+LNU18+LN4L+2xLN91 +LNB08+LN08+LNB15+LN3P+2xNL41 B - LN3L+2xLN91+LNB15+LN08+LNB08+LN4P+LNU18+LN6P+2xNL41

Extra charge						

