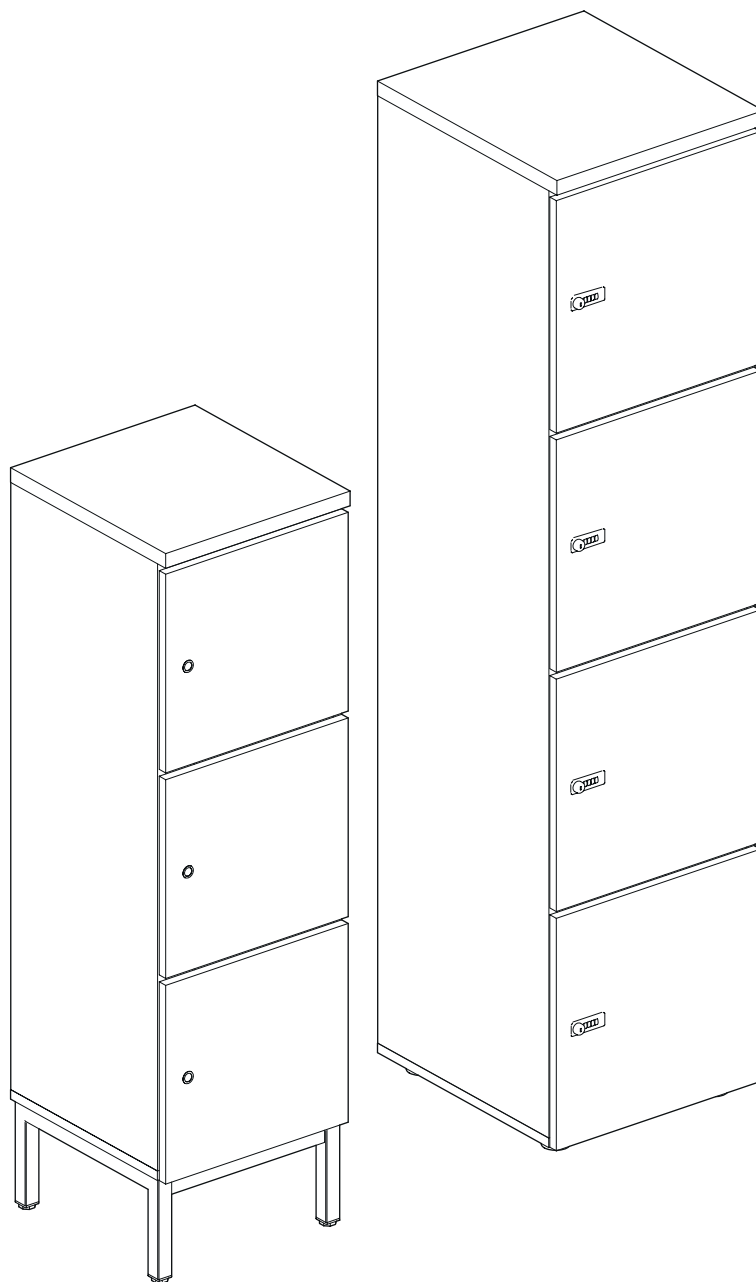


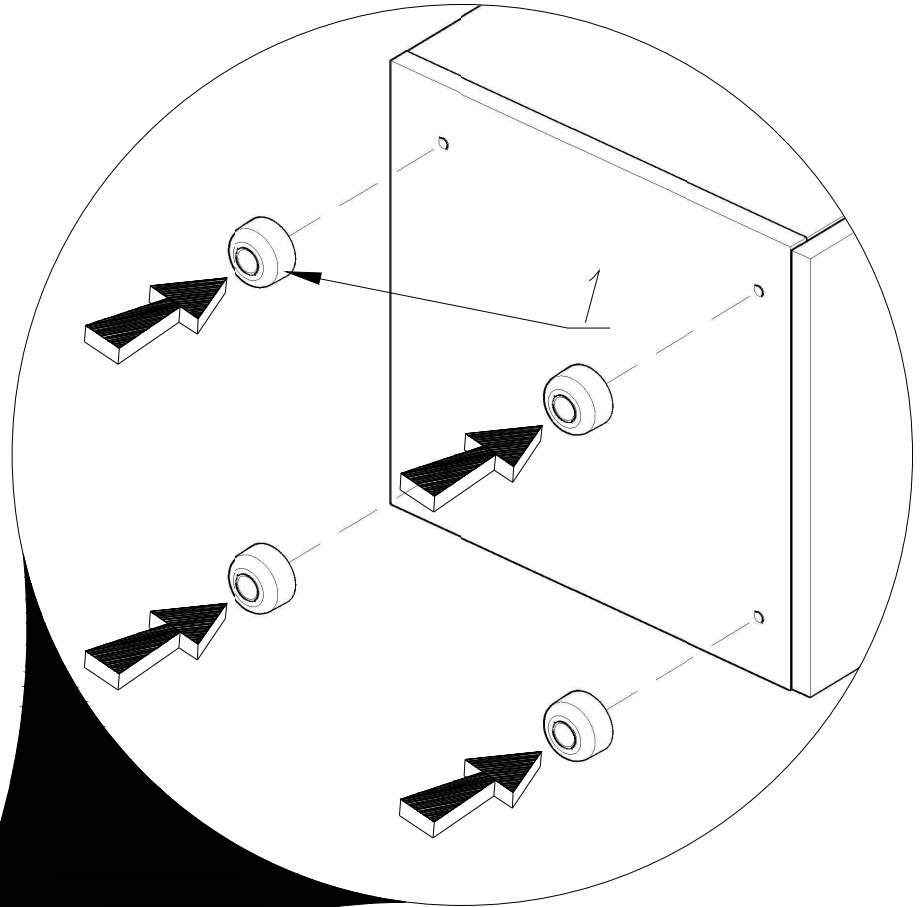
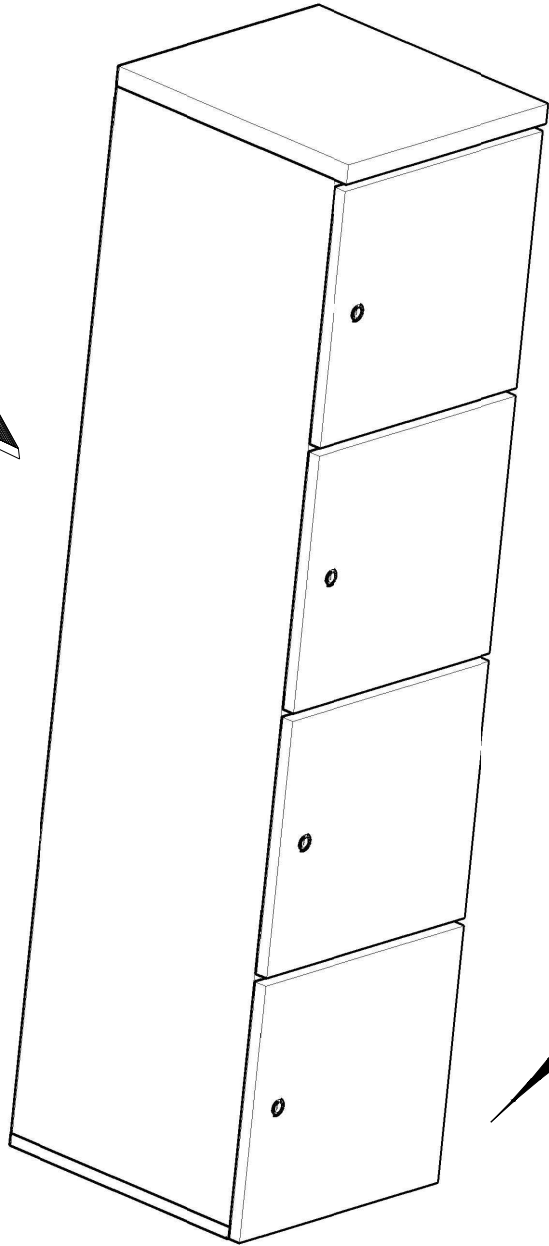
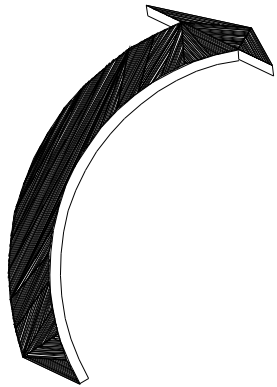
# LOCKER STANDARD

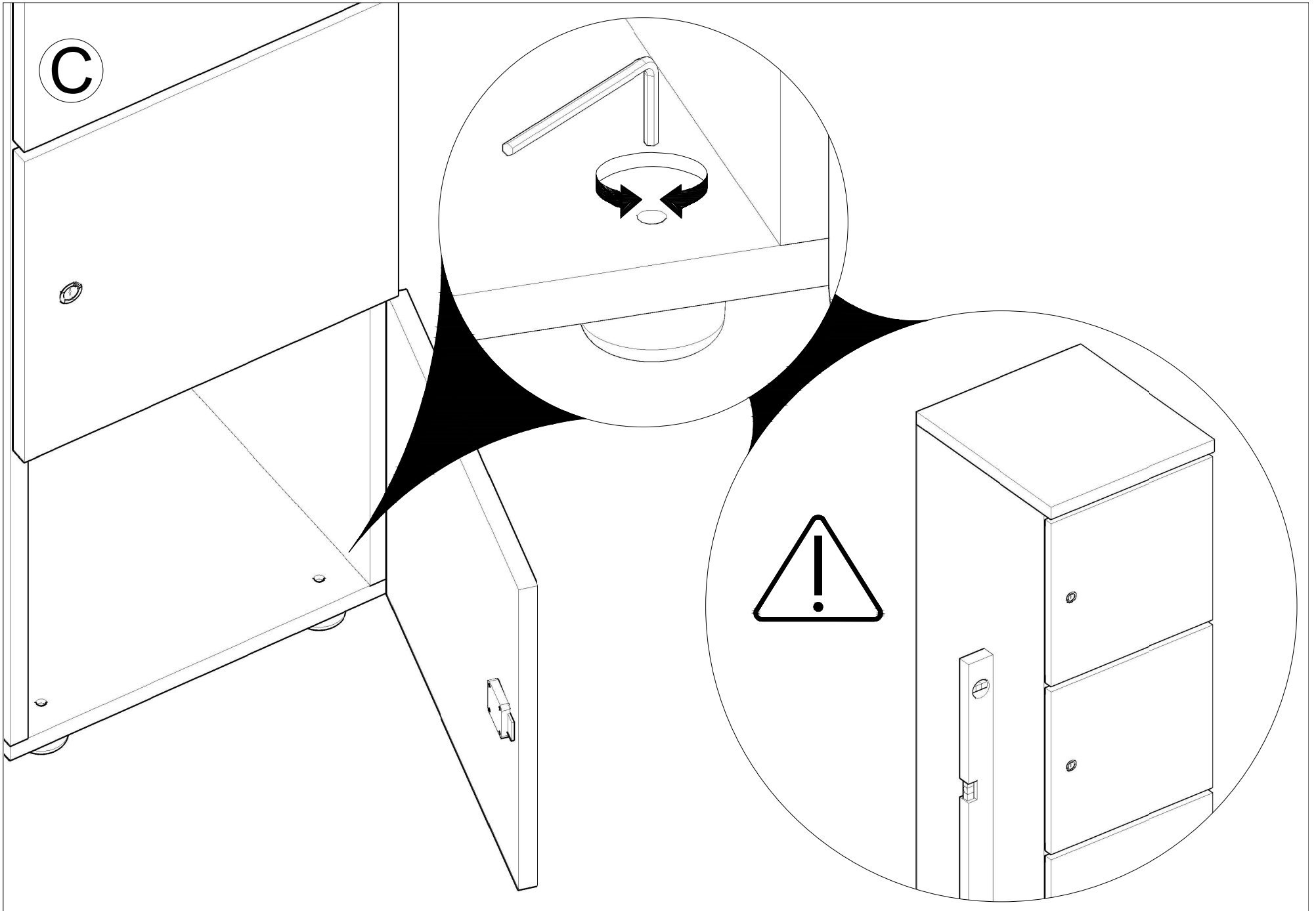
locker cabinet



.mdd

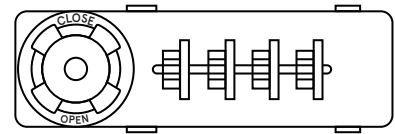
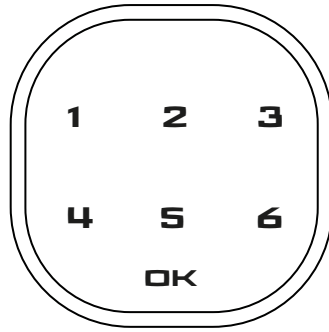
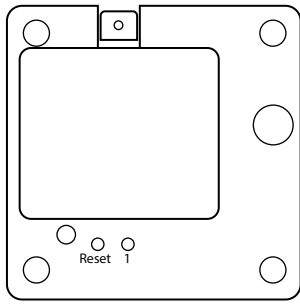
**B**







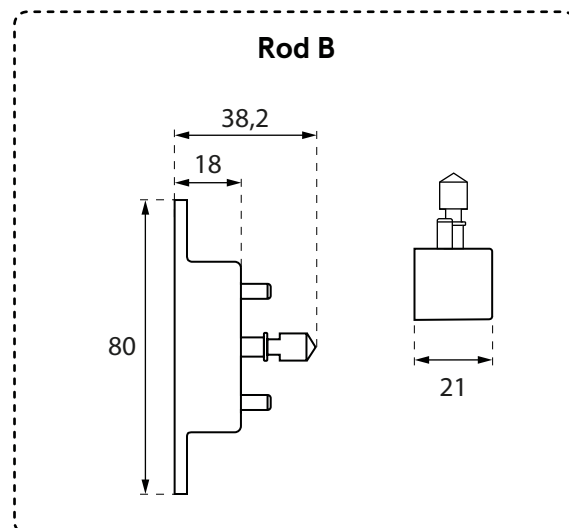
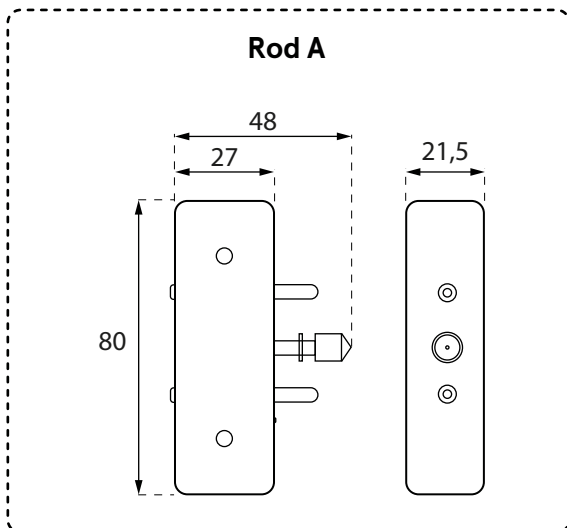
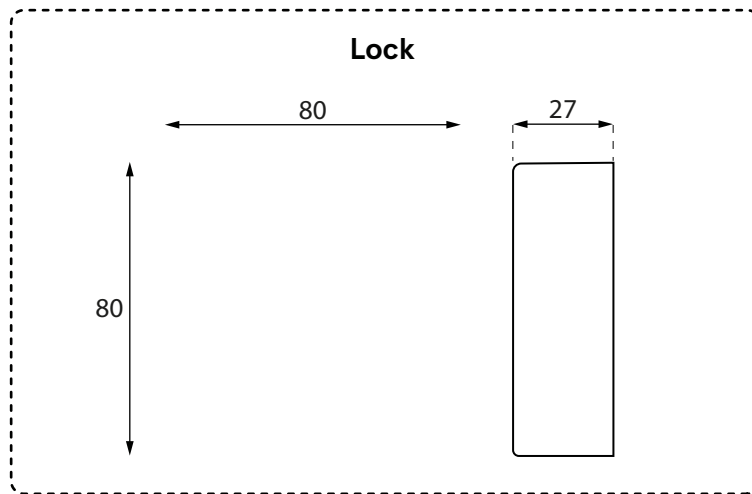
# Instruction manual – locks for Locker cabinets



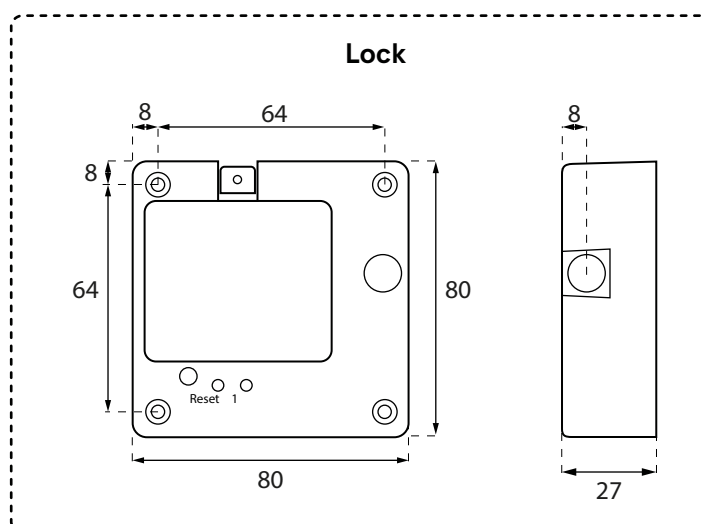
Electronic card lock .....	5
Electronic code lock .....	9
Combination lock .....	12

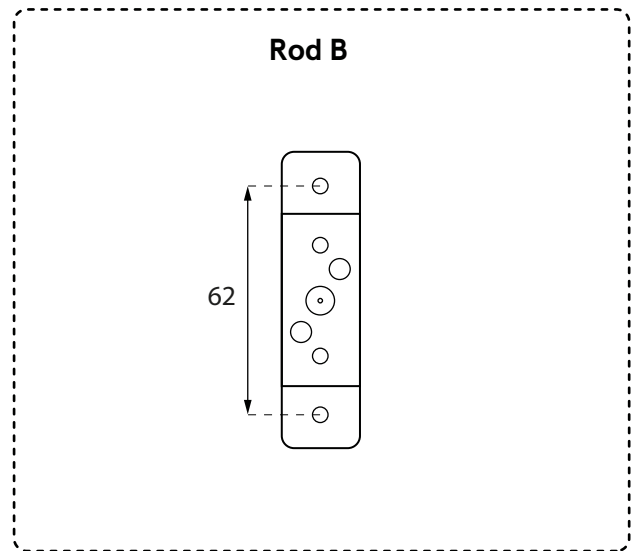
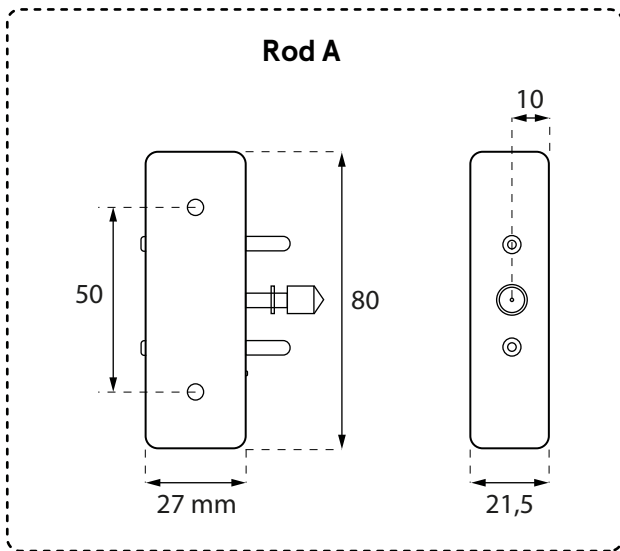
# Electronic card lock

## 1. 1. Body dimensions



## 2. Assembly dimensions





## Specifications

**Number of modes:** 3

**Modes:** private / public / office

**Master Key:** yes (card)

**Position:** vertical / horizontal

**Power supply:** 4 AAA 1.5V batteries

## Application

**Wood:** maximum 38 mm

**Glass:** maximum 38 mm

## 3. Programming the lock



### Step 1: Initial activation

#### Before activating the lock:

- Open the flap on the back of the lock,
- Insert 4 AAA batteries into the lock,
- Close the flap.

#### Activating the lock

- Press and hold the Reset button on the back of the lock for 3 seconds.
- You will hear three beeps and the first activation will be confirmed by two flashes of green LED.



### Step 2. Configuration of the Manager Card

Program the Manager Card to unlock the ability to configure the lock.

#### To do this:

- Press button 1 on the back of the lock once.
- When the green LED starts flashing, apply the card you wish to program as a Manager Card to the lock.



## Please note

**Note 1:** The Manager Card acquires its status after it has been programmed. Before the programming, the card does not contain any data.

**Note 2:** Without the Manager Card programmed, no further steps can be taken.

**Note 3:** Describe or mark the Manager Card and keep it out of reach of third parties.

**Note 4:** You can assign a maximum of 20 Manager Cards to a single lock.

### Programming several Manager Cards:

- Press button 1 on the back of the lock once.
- When the green LED starts flashing, apply the card you wish to program as a Manager Card to the lock.
- Repeat this operation for each card separately.



## Please note

**Note 1:** Do not apply multiple cards at once while the LED is flashing. Start the next configuration after the previous one has been completed.



## Step 3. Select the lock mode

### 1. Public



1. Cards used in this mode: Manager, User.
2. Manager Card in public mode has the additional function of a Master Card.

Public mode is designed for one-time users.

The card is programmed each time the lock is opened, after the card is applied to the reader.

### 2. Private



1. Cards used in this mode: Manager, User, Removal.

A lock operating in private mode only supports cards that have been previously programmed into it. The lock is opened when the User/Manager Card is applied to it.

Locking takes place automatically when the lock is closed and the LED indicating encryption turns off. The private mode is mostly used in staff lockers.

### 3. Office



1. Cards used in this mode: Manager, User, Removal.
2. Emergency opening of the locker is done by using the Manager Card.

Office mode is the commercial variant.

The same User Card is used to lock and open the lock in office mode.

This option prevents the locker from locking itself, as it has to be confirmed by applying the card.



## Step 4. Programming the selected mode

The mode is selected by performing the programming procedure several times. Which mode has been set is indicated by the number of beeps at the end of the procedure.

### 1. Public

- Press the Set button on the back of the lock 3 times.
- When the LED starts flashing, insert the Manager Card.
- You will hear one beep, which confirms that the operation has been completed.

### 2. Private

- Press the Set button on the back of the lock 3 times.
- When the LED starts flashing, insert the Manager Card.
- You will hear two beeps, which confirm that the operation has been completed.

### 3. Office

- Press the Set button on the back of the lock 3 times.
- When the LED starts flashing, insert the Manager Card.
- You will hear three beeps, which confirm that the operation has been completed.



## Step 5. Programming the cards

### 1. Removal Card

- 💡 1. The Removal Card removes all programmed User Cards.
- 2. You can assign a maximum of 10 Removal Cards to a single lock.

The Removal Card removes only User Cards.

#### Programming the Removal Card

- Press button 1 twice.
- When the red LED flashes, insert the Manager Card and then the card you wish to programme as the Removal Card.
- A flashing green LED is a confirmation that the operation has been completed successfully.

### 2. User Card

#### Programming the User Card

- Press button 1 twice.
- Use the Manager Card, then the card you wish to programme as a User Card.
- One continuous beep and a flashing green LED are a confirmation that the operation has been completed successfully.

### 3. Multiple User Cards

- 💡 1. If several User Cards are registered, only one-time use of the Manager Card is required - for confirmation at the initial programming stage.

#### Programming multiple User Cards

- Press button 1 twice.
- Use the Manager Card, then the card you wish to programme as a User Card.
- One continuous beep and a flashing green LED are a confirmation that the operation has been completed successfully.
- Apply the next card you wish to programme, wait for the confirmation beep.
- Repeat the process for each additional User Card.

## 4. Restore factory settings

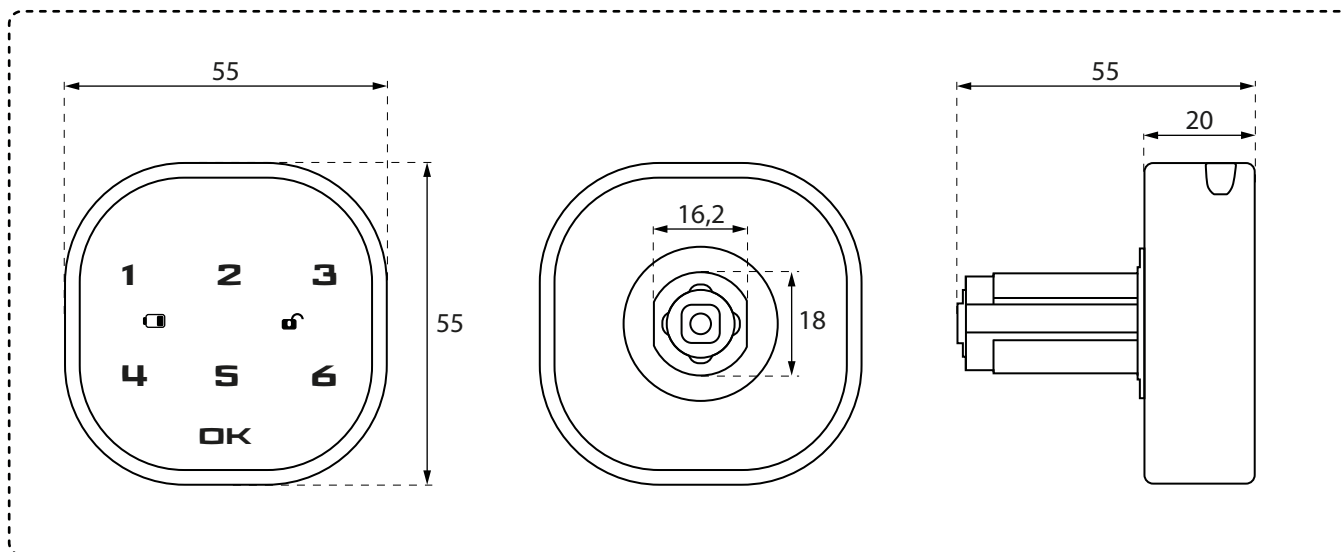
---

- Press and hold the Reset button on the back of the lock for 3 seconds.
- Three beeps and flashing of the LED are a confirmation that the operation has been completed successfully.

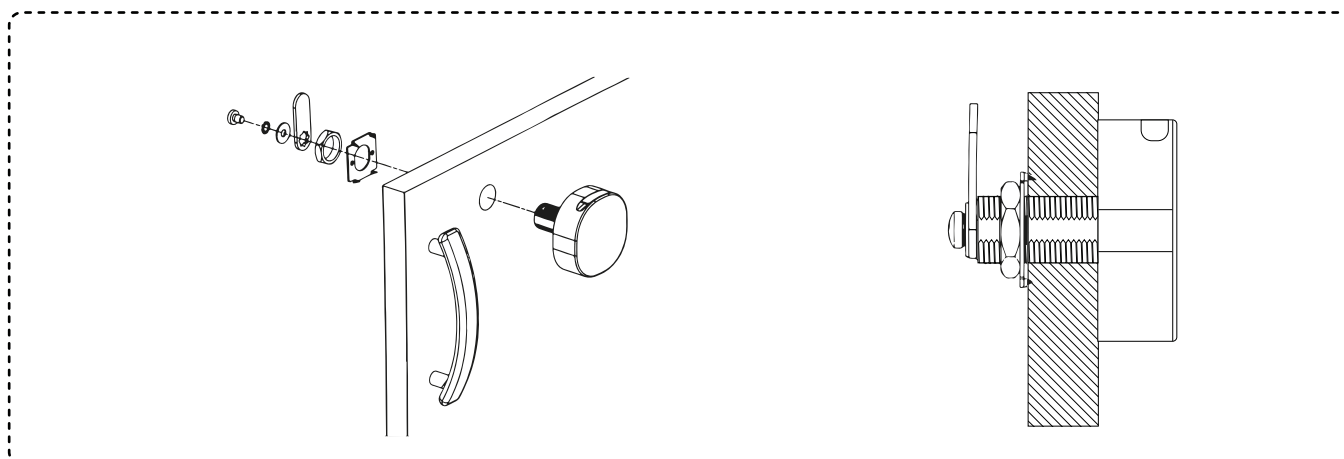


# Electronic code lock

## 1. Body dimensions



## 2. Assembly



### Specifications

Power supply: 3V CR2032

### Application

Wood: maximum 38 mm

Glass: maximum 38 mm

## 3. Usage / settings

---




### Opening

#### Before activating the lock:

- Open the flap on the back of the lock,
- Insert a 3V Cr2032 battery into the lock,
- Close the flap.

#### Opening:

- Enter the default code (1234) and press the OK button.
- You will hear a long beep.
- When the LED lights up green , the lock is unlocked.
- Turn the knob 180 degrees.

#### Closing:



- Turn the knob 180 degrees to its original position.





### Programming

Program the Manager/Management card to unlock the ability to configure the lock.


#### 1. Changing the code

- Enter the default code (1234) and press the OK button, you will hear a long beep and the  LED will turn green.
- Press and hold the OK button for about 2 seconds,  LED will start flashing. Enter the new code and press the OK button. You will hear a long beep indicating, that the code has been changed.


#### 2. Activating the public mode

- Enter the code and press OK, you will hear a beep and the  LED will turn green.
- Press and hold the OK button for about 2 seconds, when the  LED starts flashing, press OK again.
- Enter the "44" code and press OK. You will hear a long beep indicating, that the public mode has been activated.


#### 3. Setting up a one-time code

- Press the OK button, the  LED will start flashing.
- Enter the one-time code (4 to 15 digits).
- You will hear a long beep indicating, that the one-time code has been set.  
\* Please note that the one-time code only authorises you to open the lock once and that the lock automatically erases this code from its memory when it is closed. If you wish to open the lock again, you will have to go through the procedure of setting up the one-time code once more.

#### 4. Turning off the public mode

- Enter the code and press OK, you will hear a long beep.
- Press and hold the OK button for about 2 seconds, when the  LED starts flashing, press OK again.
- Enter the "43" code and press OK. You will hear a long beep indicating, that the public mode has been turned off.

#### 5. Enabling/disabling code concealment function

- Enter the code and press OK, you will hear a long beep.
- Press and hold the OK button for about 2 seconds, when the  LED starts flashing, press OK again.
- a) Enter the "42" code and press OK. You will hear a long beep indicating, that the code concealment function has been activated.
- b) Enter the "41" code and press OK. You will hear a long beep indicating, that the code concealment function has been turned off.



### Functions



- Retrieving a forgotten code is possible by using a USB key. The code will be changed to the default „1234“.
- Code concealment function: The ability to hide the correct code by entering a false code (max. 16 digits) before or after it.
- The alarm will be activated if the code is entered incorrectly four times. The lock will be locked for 60 seconds.
- Automatic notification of low battery voltage.
- The lock is equipped with a 3V Cr2023 battery. The last stored code will not be lost when the battery is replaced.

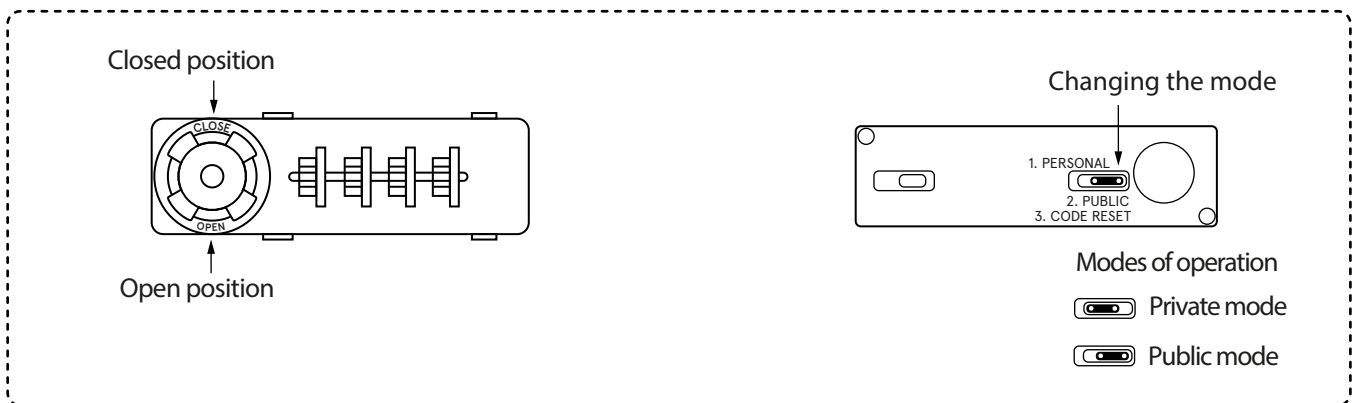
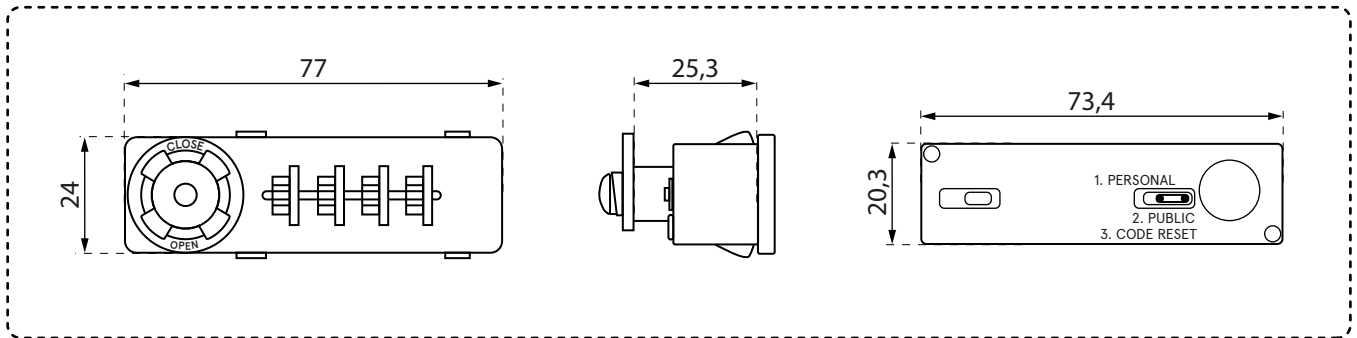


### Troubleshooting

Problem	Cause	Solution
After entering the code, a double beep is heard, the lock opens with a delay.	Low battery voltage	Replace battery
After entering the code, a beep is heard, the lock will not open	Wrong position of the knob	Turn the knob to the correct position
No audible beep when buttons are touched, lock can be opened normally	Bell not working	Replace bell

# Combination lock

## 1. Body dimensions



## 2. Usage / settings



### Programming

#### 1. Private mode

The lock supports a single code, which must be entered each time the locker is opened. Private mode is used most often in staff lockers.

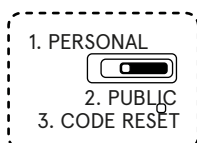


#### Please note

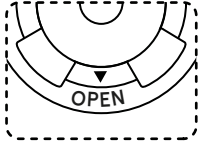
Perform all Private Mode programming operations with the door of the cabinet in which the unit is mounted open.

#### Programming the private mode:

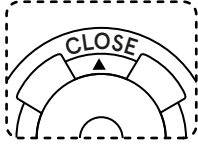
- Set the lock code to "0000".
- Set the back switch position to "Public code reset".



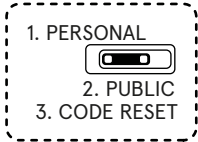
- Turn the knob by 180 degrees - the pointer will be in the "open" position.



- Set your code and keep it out of reach of third parties.
- Turn the knob by 180 degrees - the pointer will be in the "close" position.

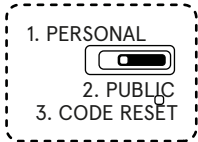


- Set the back switch position to "Personal".

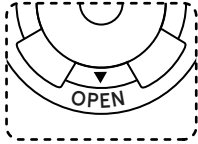


**Changing the code in the private mode:**

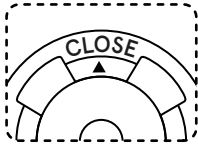
- Enter your existing code.
- Set the back switch position to "Public code reset".



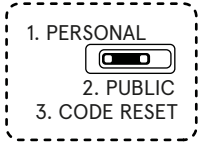
- Turn the knob by 180 degrees - the pointer will be in the "open" position.



- Set your code and keep it out of reach of third parties.
- Turn the knob by 180 degrees - the pointer will be in the "close" position.



- Set the back switch position to "Personal".



## Code recovery in private mode:

### Please note

If you need to open the lock in an emergency, use the corresponding Master Key. This key does not open the lock, it only allows you to find the forgotten code combination.

- Insert the key into the cylinder and turn it 180 degrees.
- Leave the key in this position until you have completed the next step.
- Spin the lock discs until you feel resistance. Once the disc has stopped, move on to the next disc. The locked discs determine the lock code.
- To validate the operation, turn the key to its original position and then remove it from the lock.

## 2. Public mode

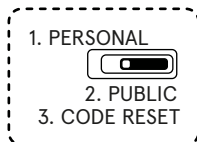
The process of programming a lock in Public Mode is done in two ways, depending on the circumstances.

### Please note

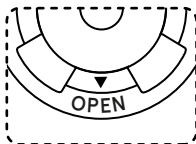
Perform all Public Mode programming operations with the door of the cabinet in which the unit is mounted open.

#### Programming the private mode on a new lock:

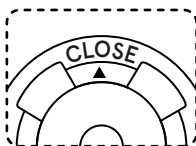
- Set the lock code to "0000".
- Set the back switch position to "Public code reset".



- Turn the knob by 180 degrees - the pointer will be in the "open" position.

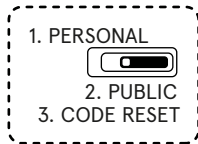


- Set your code and keep it out of reach of third parties.
- Turn the knob by 180 degrees - the pointer will be in the "close" position.

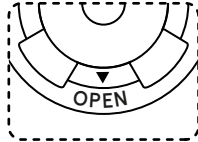


### Changing the mode from private to public:

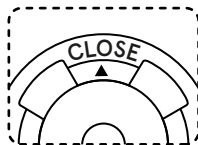
- Enter your existing code.
- Set the back switch position to ,“Public code reset”.



- Turn the knob by 180 degrees - the pointer will be in the “open” position.



- Set your code and keep it out of reach of third parties.
- Turn the knob by 180 degrees - the pointer will be in the “close” position.



### Important information

- The code retrieval procedure is the same for each mode.
- Correct use of the lock involves entering the code, turning the knob to the “open” position and closing the door.
- Whenever possible, programming operations should be carried out with the door open.
- It is recommended that all possible precautions be taken when the lock is in Public Mode. Above all, we suggest masking the correct code by randomly twisting the lock dials before moving away from the cabinet.
- The switch designed to change modes allows switching in two opposite directions. For Private Mode, move the switch to the left. For Public Mode or to perform a reset, the switch should be to the right. Remember that the “code reset’ option is not a mode.