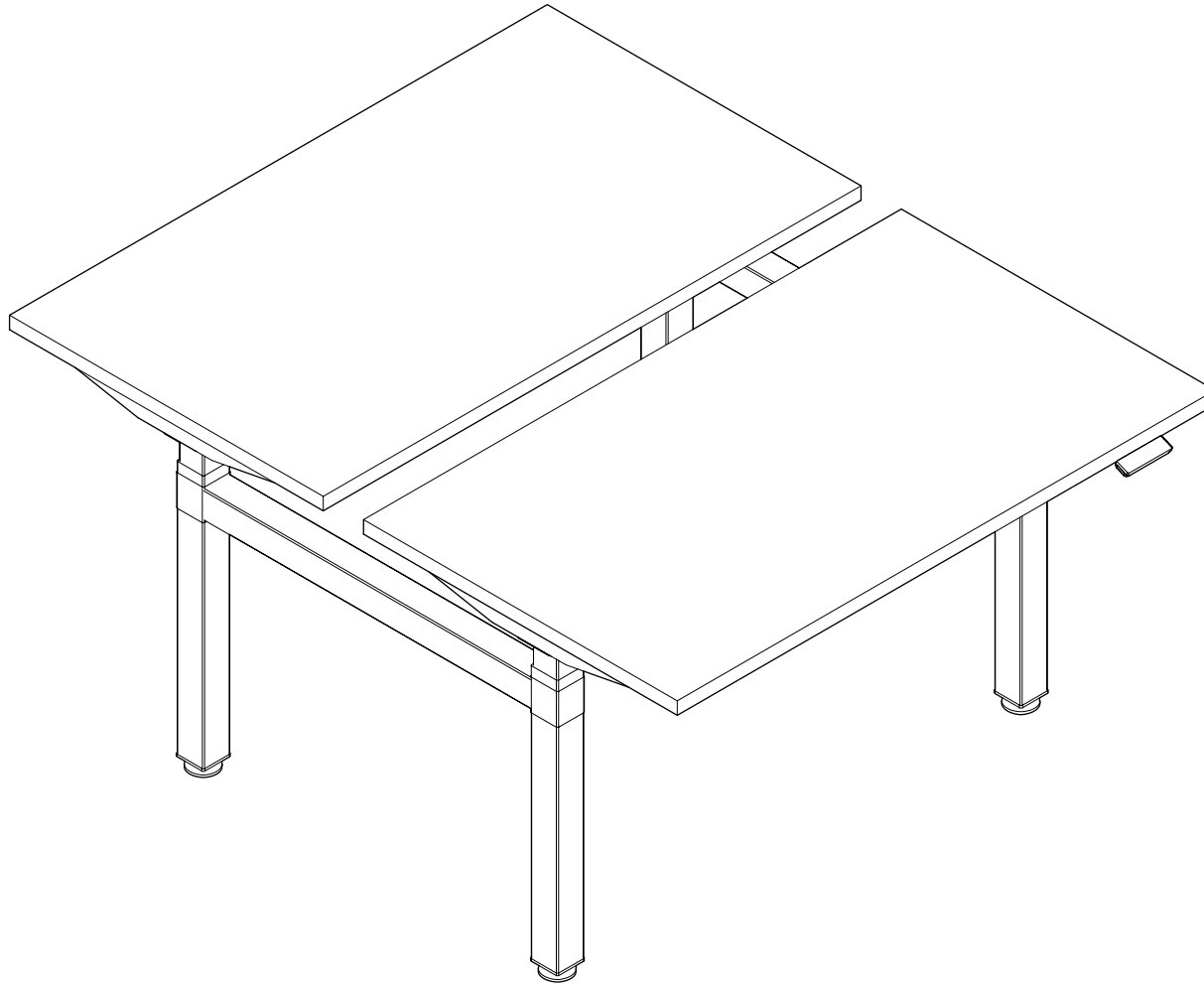


Ogi Drive Bench

bench desk electric height adjustment



.mdd

disclaimers

Polski

UWAGA!

Dokładnie przeczytaj instrukcję i postępuj zgodnie z nią, nie pomijając żadnych kroków. Zachowaj instrukcję na przyszłość. Używaj tylko sprawnych i odpowiednich narzędzi. Skontaktuj się z nami, jeśli masz pytania lub wątpliwości.

Français

ATTENTION !

Lisez et suivez attentivement les instructions, ne sautez aucune étape. Conservez la notice pour pouvoir vous y référer ultérieurement. Utilisez uniquement les outils appropriés. Demandez-nous conseil si vous avez des doutes ou des questions.

English

WARNING!

Read and follow the instructions carefully, do not skip any steps. Keep the manual for future reference. If needed, use proper tools. Seek our advice if you have any doubts or questions.

Español

ATENCIÓN!

Lee y sigue las instrucciones con atención; no te saltes ningún paso. Guarda el manual por si lo necesitas en el futuro. Usa las herramientas recomendadas. Contáctanos si tienes alguna duda o pregunta.

Deutsch

ACHTUNG!

Lesen Sie die Anleitung sorgfältig durch und befolgen Sie sie, ohne einen Schritt auszulassen. Bewahren Sie die Anleitung zum späteren Nachschlagen auf. Verwenden Sie nur funktionsfähige und geeignete Werkzeuge. Kontaktieren Sie uns, wenn Sie Fragen oder Bedenken haben.

Italiano

ATTENZIONE !

Leggere attentamente le istruzioni e seguirle passo dopo passo. Conservare le istruzioni per riferimenti futuri. Utilizzare solo strumenti efficienti e adatti. Contattateci se avete domande o dubbi.

valid for

BODS572

BODS512

BODS574

BODS514

BODS576

BODS516

BODS578

BODS518

BODS570

BODS520

12-238

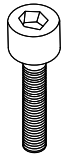
06-059

06-205

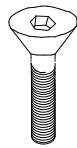
06-076

06-105

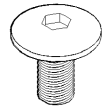
06-282



M6X25I



M8X16S



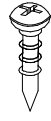
M6X15K



3.5X16S

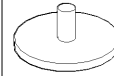


5.0X60S

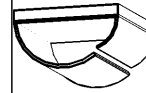


4.5X16W

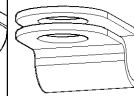
1



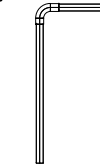
2



3



4



5



.mdd

BOD  **BENCH**

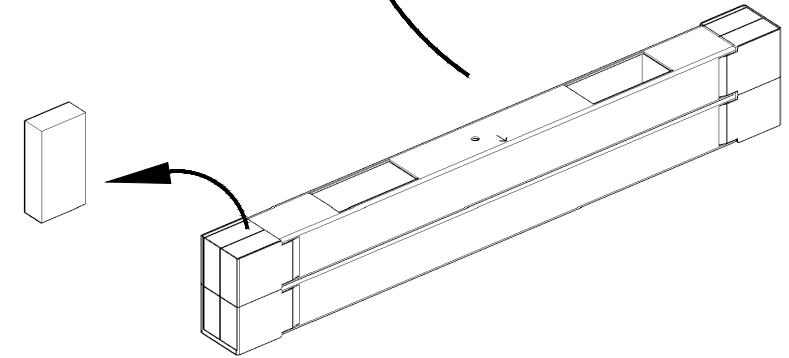
*PODŁĄCZENIE DO SIECI ELEKTRYCZNEJ BEZ ZAKOŃCZONEGO MONTAŻU
JEST ZABRONIONE!*

*WARNING! PLUGGING INTO YOUR ELECTRICAL OUTLET WITHOUT PROPER
AND COMPLETE INSTALLATION IS STRICTLY PROHIBITED.*

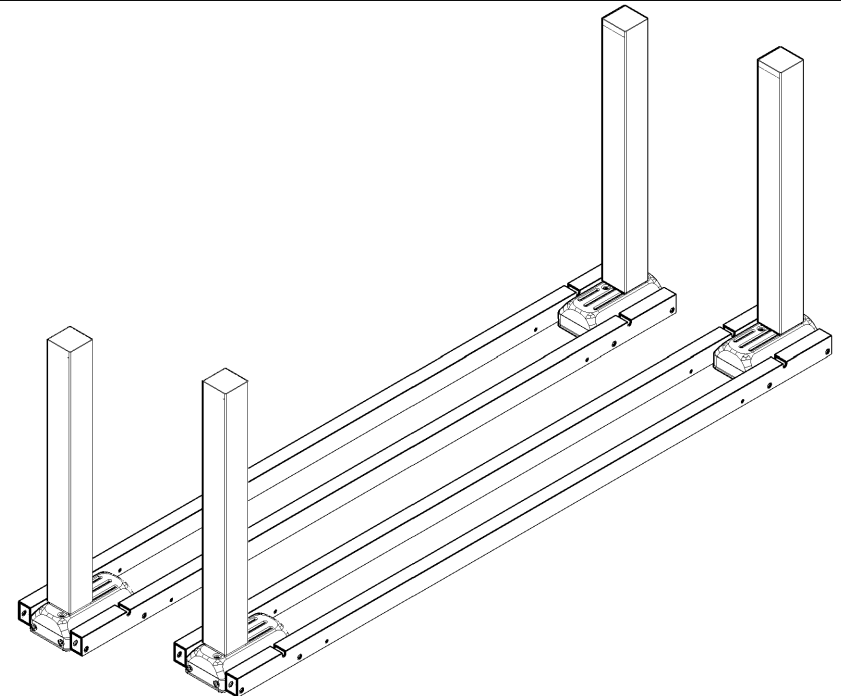
VERBINDUNG MIT DER ELEKTRISCHEN NETZ VOR DEM MONTAGEENDE IST VERBOTEN!

NE PAS BRANCHER AVANT QUE LE PRODUIT SOIT ENTIÈREMENT MONTE !

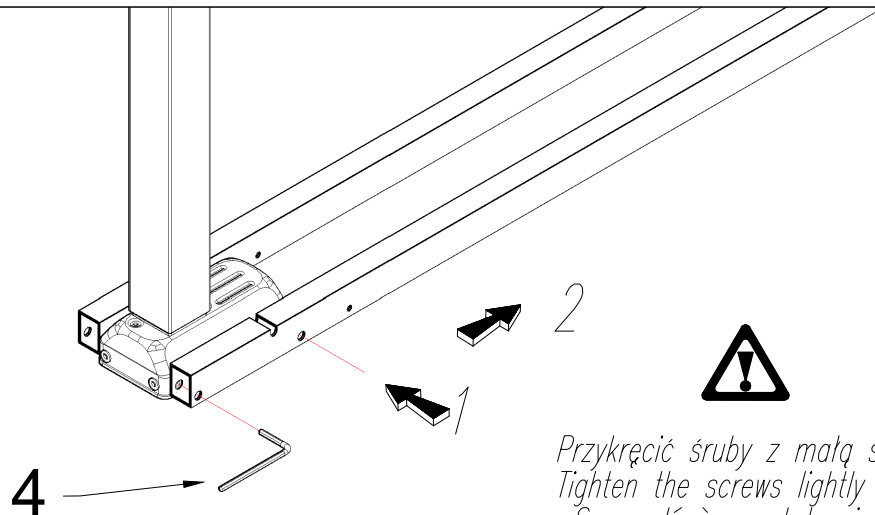
Не включать в розетку пока не будет завершен монтаж.



B

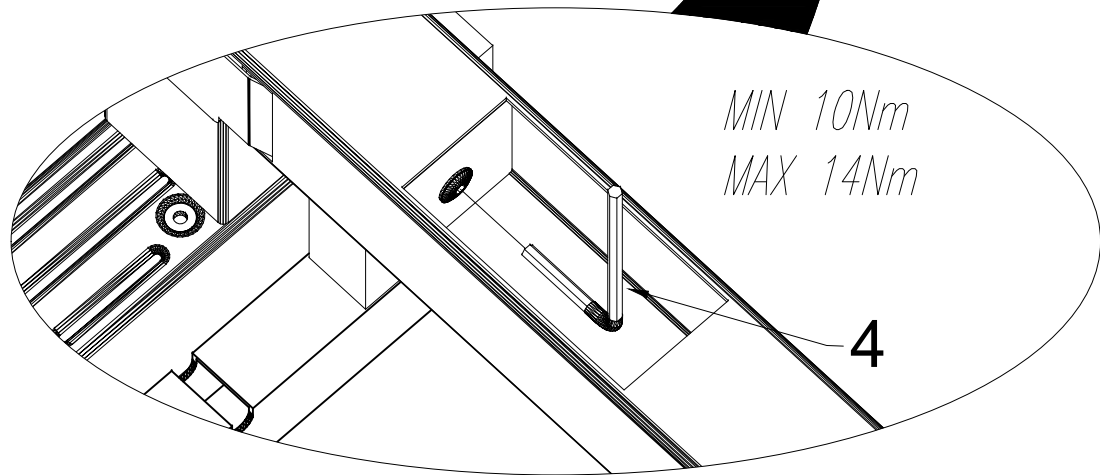
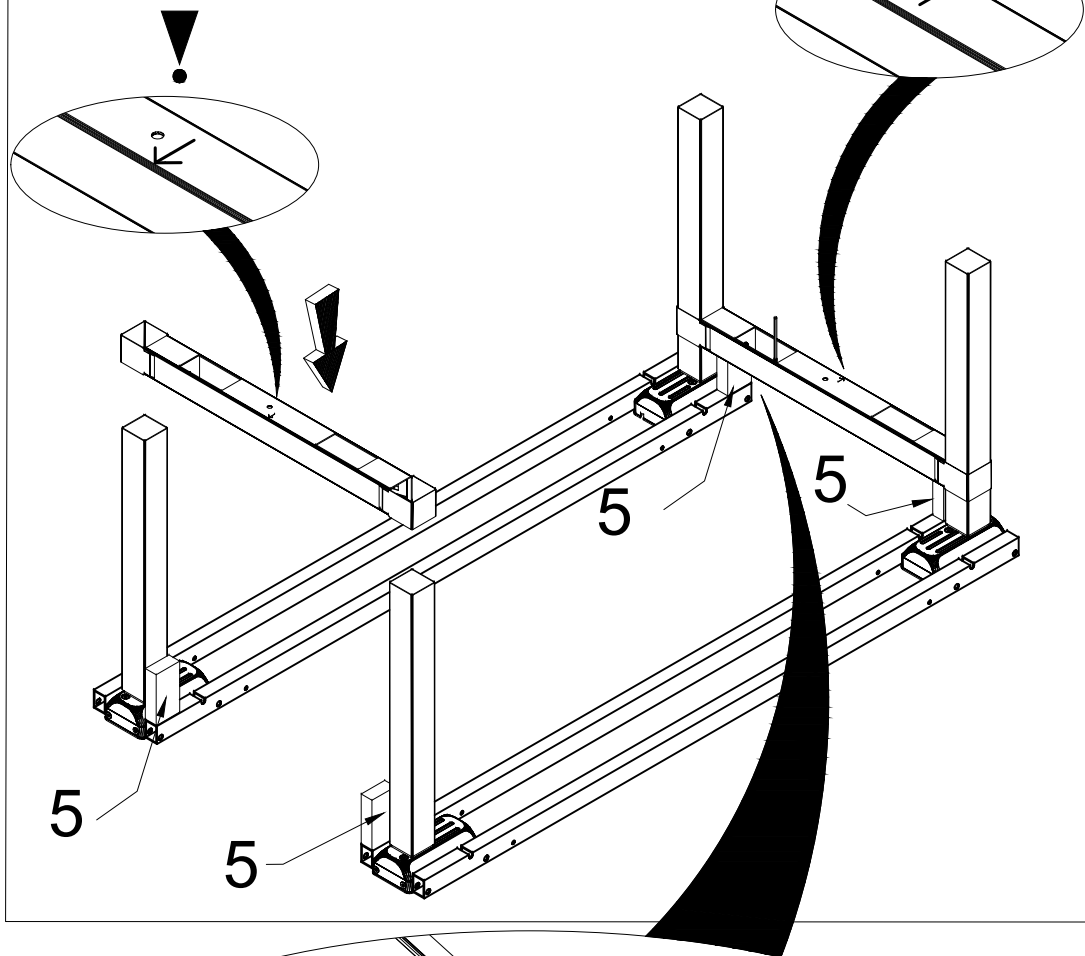


A

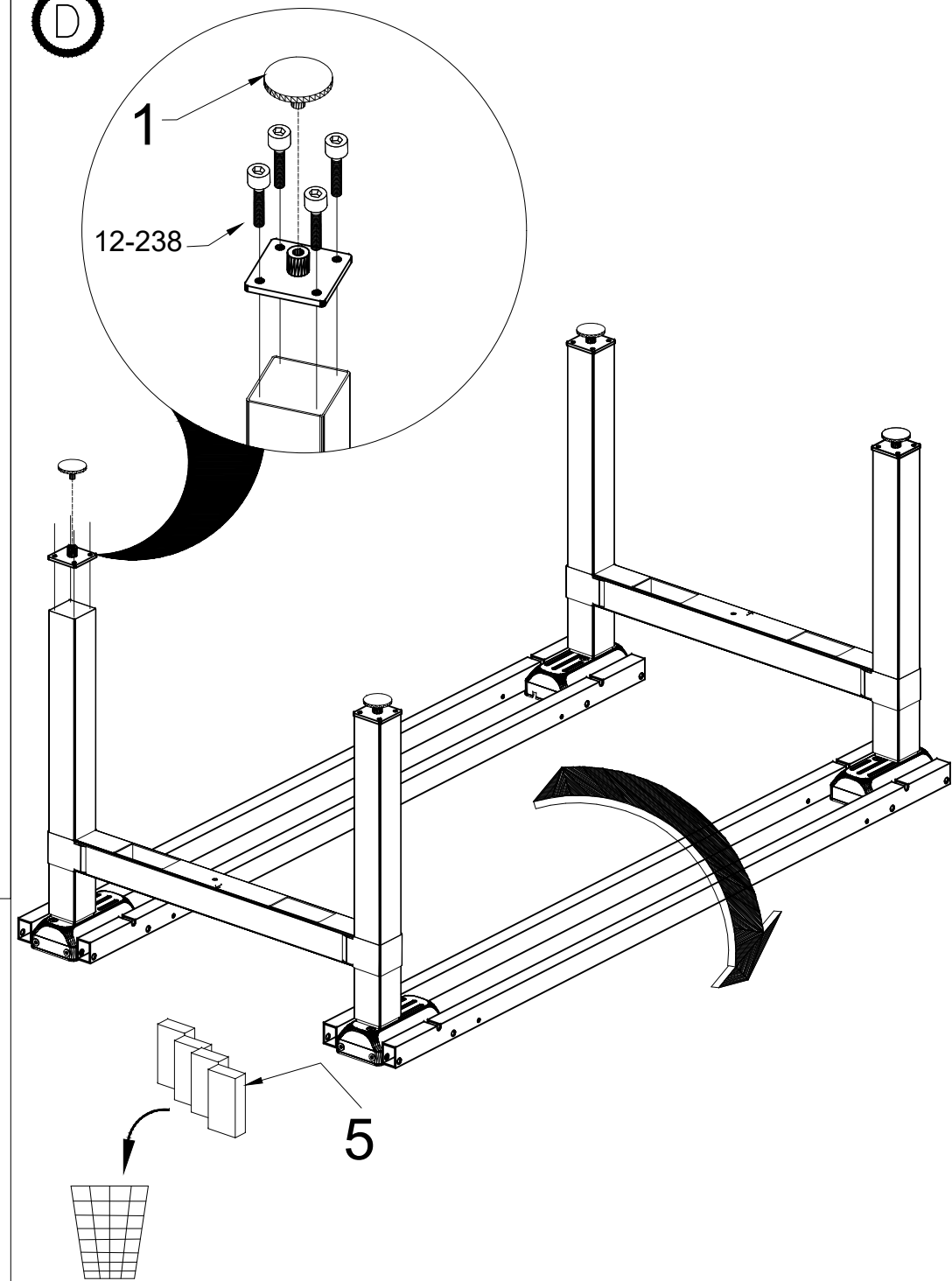


*Przykręcić śruby z małą siłą.
Tighten the screws lightly
Serrez légèrement la vis
Ziehen Sie die Schrauben leicht an*

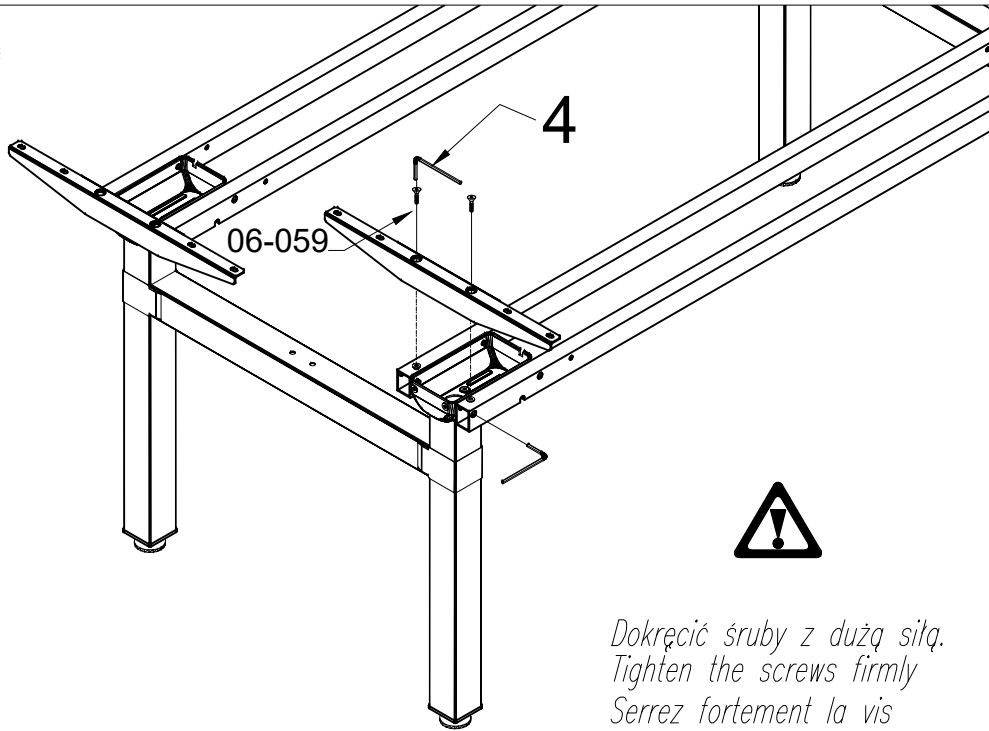
©



©

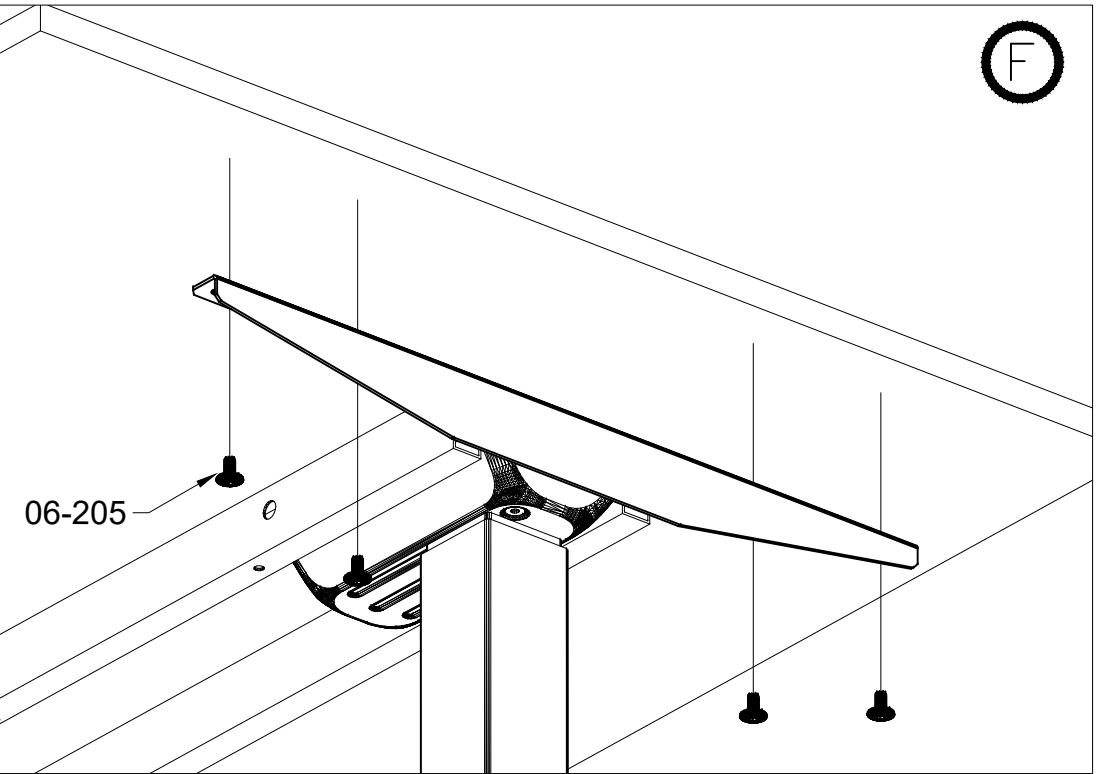


E

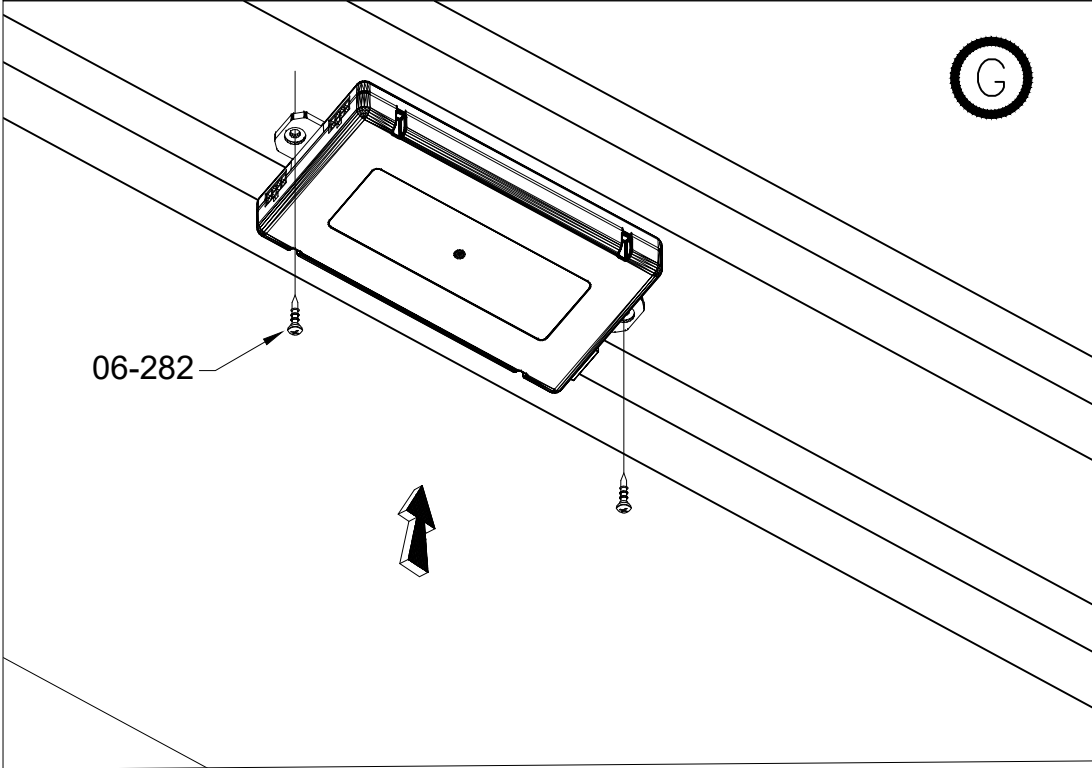


*Dokręć śruby z dużą siłą.
Tighten the screws firmly
Serrez fortement la vis
Ziehen Sie die Schrauben mit großer Kraft an*

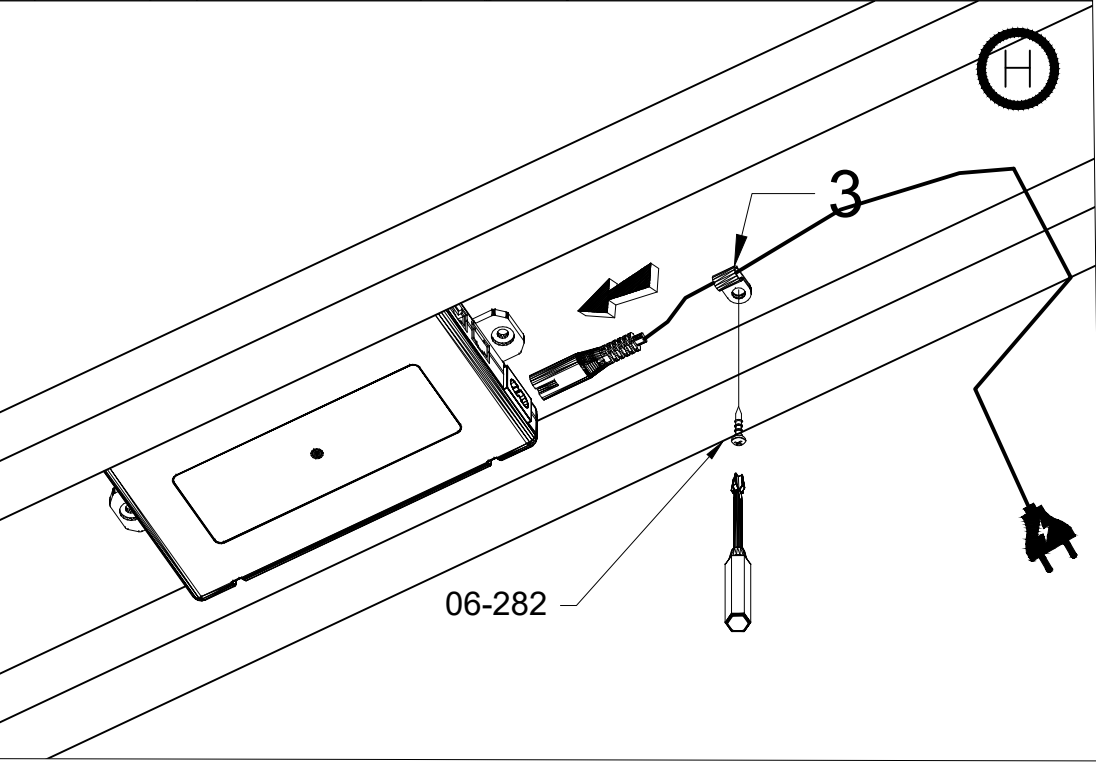
F



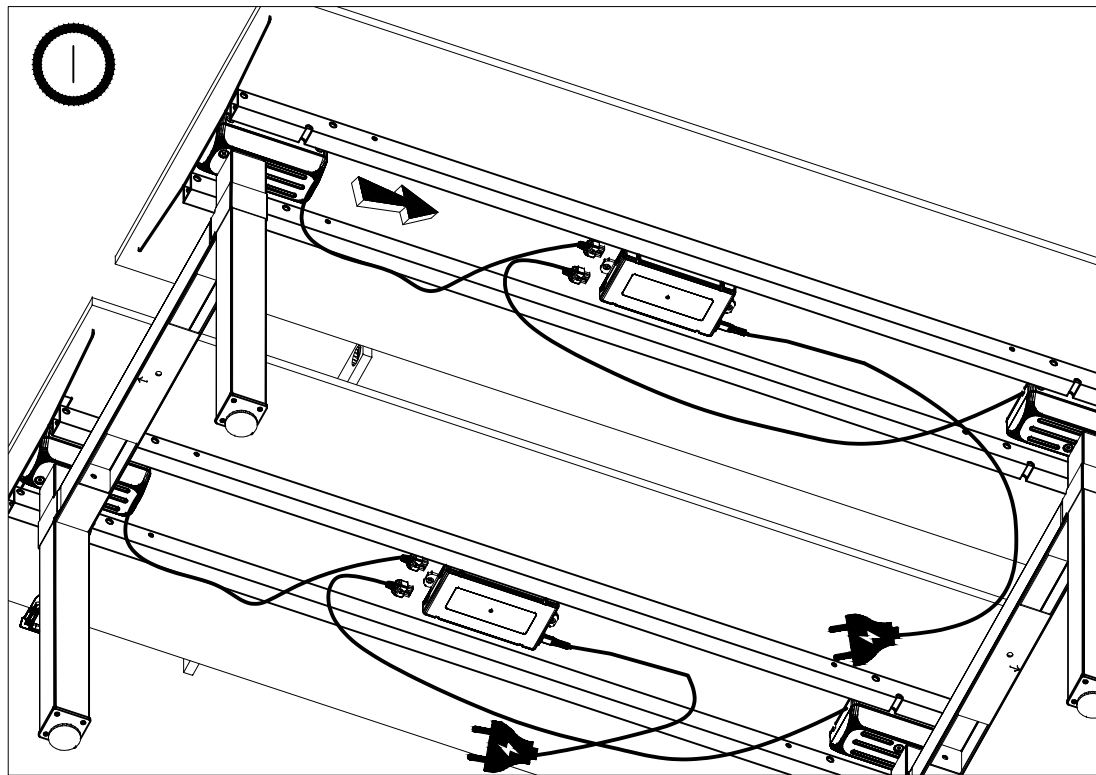
G



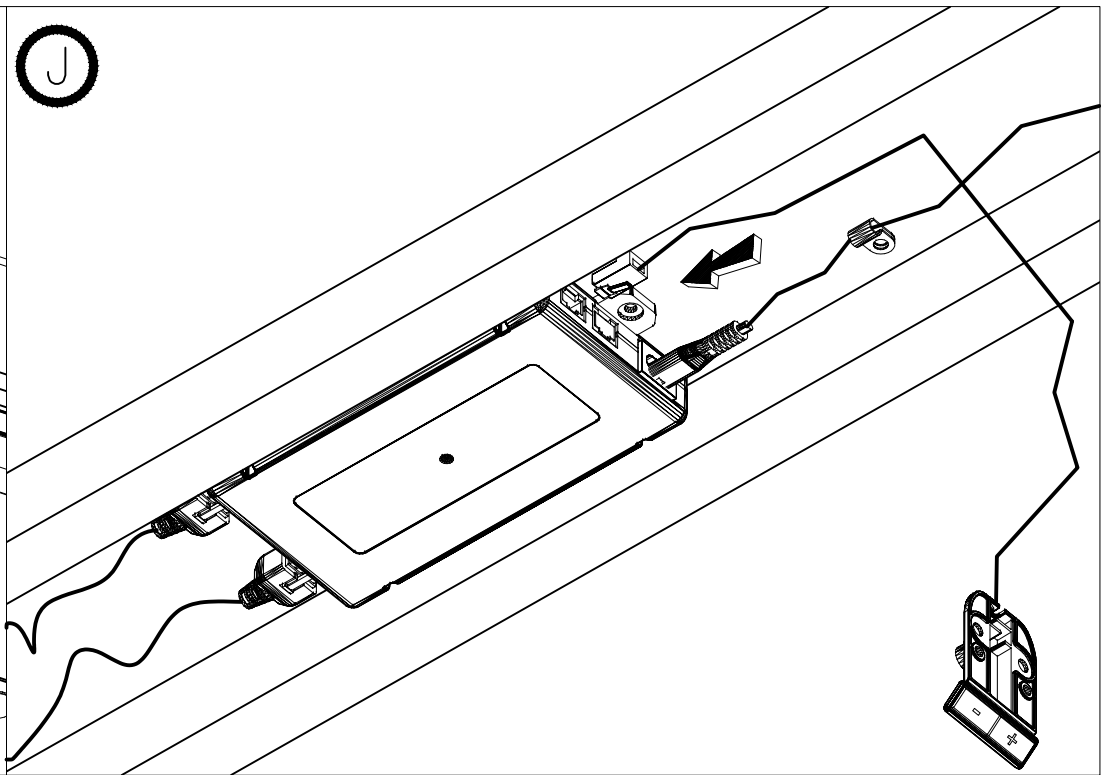
H



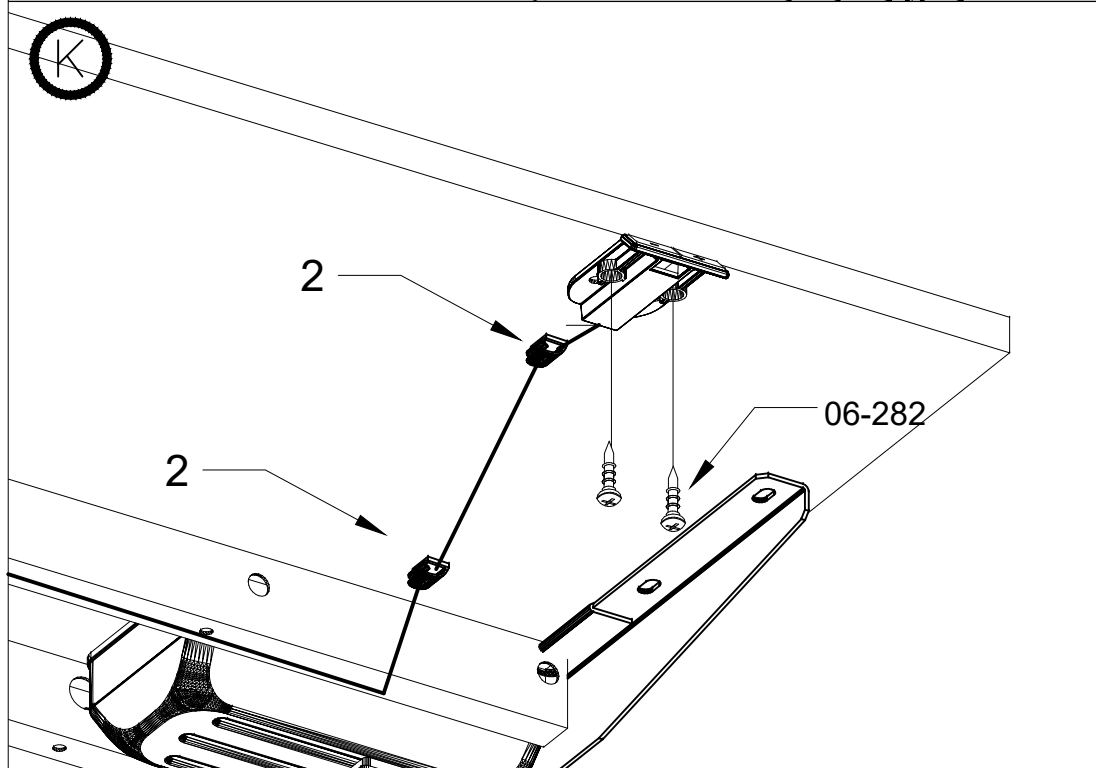
I



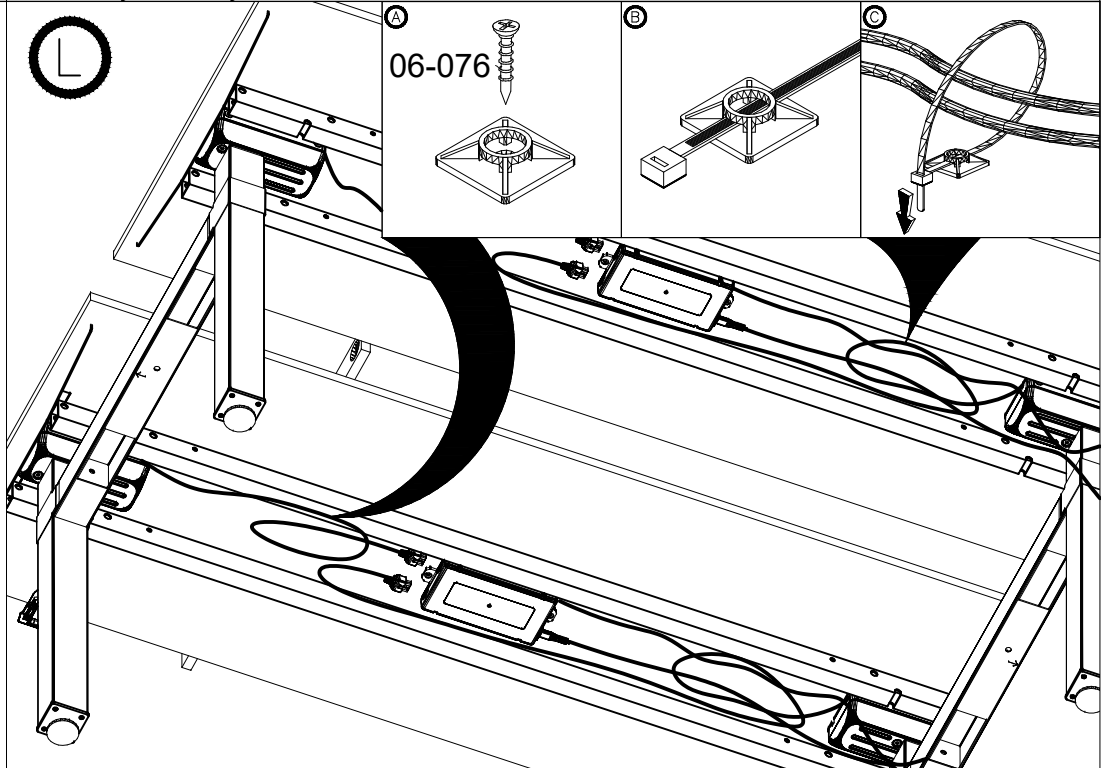
J



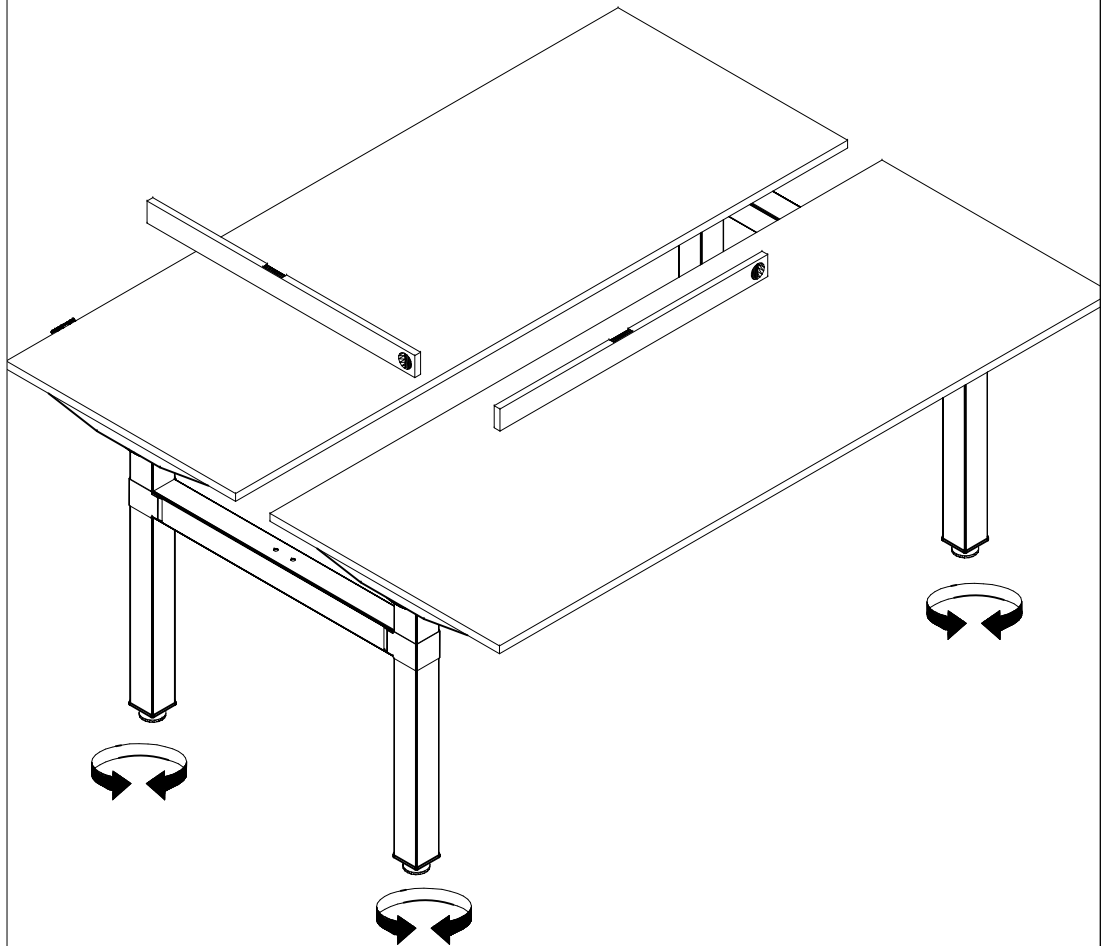
K



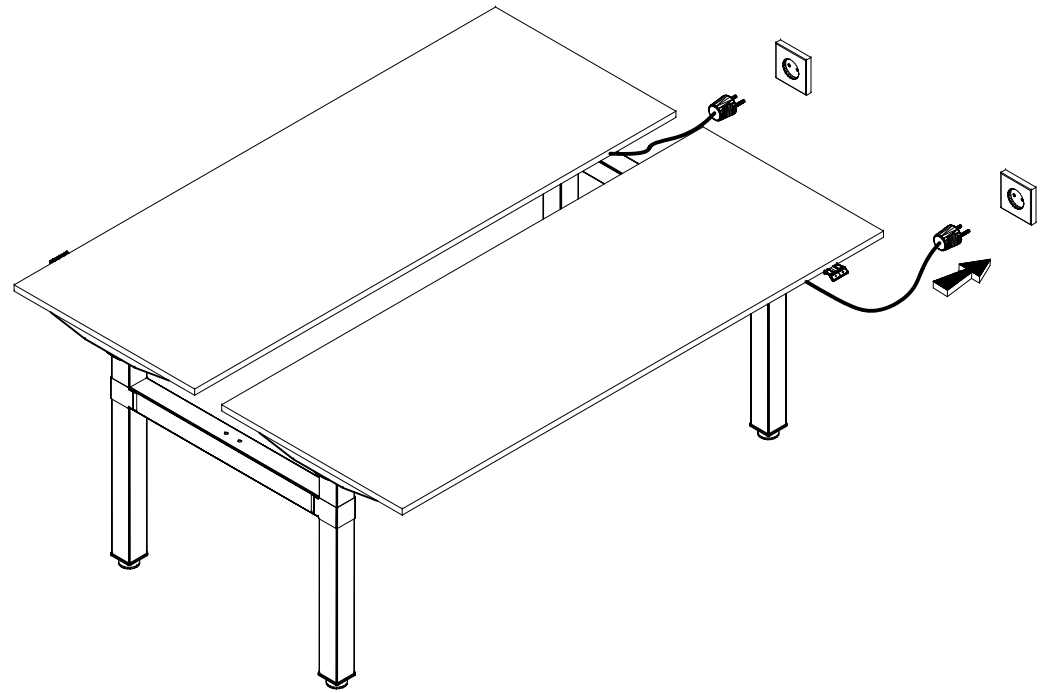
L



M

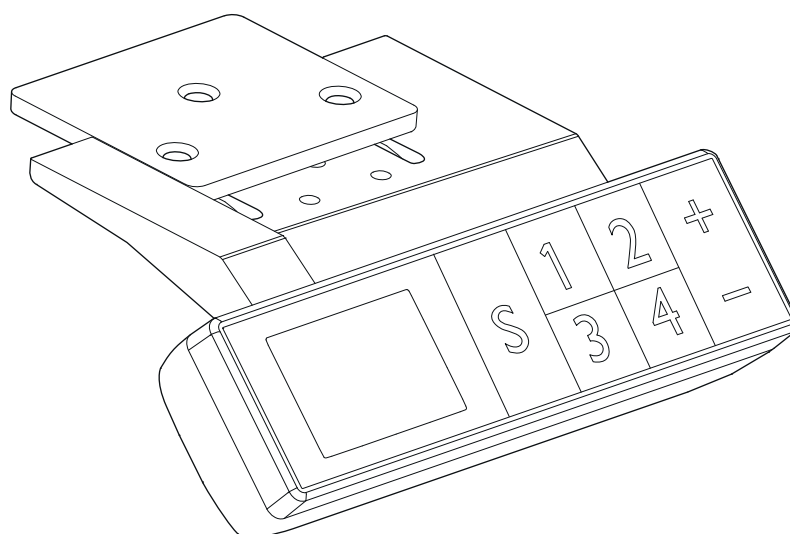


N





JS-Drive controller + JS-Drive panel matched to the PRO panel casing



An exemplary interface of the panel	15
Initiating operations	15
Operating the 'UP' and 'DOWN' buttons	15
Saving worktop positions and memory operations	15
Settings of maximum and minimum height	15
Locking and unlocking	16
Restoring factory settings	16
Internal parameters and installation distance setting	16
Error codes	17

An exemplary interface of the panel

Description of panels' buttons:

Function button S – Invoke a function
Save 1 button – Save and set height 1
Save 2 button – Save and set height 2
Save 3 button – Save and set height 3
Save 4 button – Save and set height 4
Up button 5 – Go UP
Down button 6 – Go DOWN

Initiating operations

If there are any irregularities in the system or if the "RST5"/"R5" message appears on the manual control panel, it is necessary to re-initialize the desk controller.

1. Unplug the desk from the power socket for 10-12 seconds,
2. Reconnect the desk to the power supply,
3. Press "+/-" on the panel and hold it for 10-12 seconds,
4. Hold "-" until the desk reaches its lower position and until you hear a clear "BIP" sound,
5. Release the button, the desk should work properly now.

Operating the 'UP' and 'DOWN' buttons

When the „UP” button is pressed, the worktop moves upwards until it reaches its maximum height. When the 'DOWN' button is pressed, the worktop moves downwards until it reaches its minimum height. When the „UP” or „DOWN” buttons are pressed briefly, the worktop moves a short distance respectively to reach a comfortable worktop position.

Saving worktop positions and memory operations

Up to 4 desk positions (heights) can be saved in the PRO control panel. The saving method is as follows: set the desk to the desired height, when it is reached press the 'S' button and then select „save as X” (1-4), the position will be available under the selected button X (1-4).

Settings of maximum and minimum height

The system supports saving a height range in which the worktop can move. The saving method is as follows: when the worktop is at the height you want to save as the limit, press the "UP" + „DOWN” buttons for **5 seconds** to save the position. You will hear a sound and see a message on the display that the position has been successfully saved. When the worktop is in the upper part of the height range the upper limit (maximum height) is stored, and when the worktop is in the lower part of the range the lower limit (minimum height) is stored.

Deleting a saved height range: reset the system and the height range is cancelled

Locking and unlocking

Lock: Press and hold „S” + „UP” buttons simultaneously for **5 second**. When the display shows the „Loc” message, this means that the system has been locked and the height cannot be controlled.

Unlock: Press and hold „S” + „DOWN” buttons simultaneously for **5 seconds**. When the “Loc” message disappears, this means the system has been unlocked.

Restoring factory settings

If you the desk frame has been replaced or if you need to restore the factory settings, press and hold the „UP” + „DOWN” buttons for **10 seconds**. After this time, you will hear a long beep and the parameters will be reset to the factory settings. A forced initialisation process will start.

Internal parameters and installation distance setting

Press and hold the “S” button for **5 seconds** to enter the settings interface, the display will show „S-x” („x” flashes – „x” is a parameter group). At this point, press „1” to enter the parameter group and set the corresponding parameters, or press „UP” and „DOWN” to switch the parameter group. Once the parameters have been set, press „SET” (S) to return to the desk control interface.

The following parameters can be set:

- a) „S-1” change of units mm/inch - 0 means mm, 1 means inches,
- b) „S-2” anti-collision sensitivity based on speed - 0 means anti-collision is off, 8 means high sensitivity and 1 means low sensitivity,
- c) „S-3” upward motion overload sensitivity (motor current too high) - 0 means function deactivated, 8 means high sensitivity and 1 means low sensitivity,
- d) „S-4” sensitivity of overload in downward movement (motor current too high) - 0 means function deactivated, 8 means high sensitivity and 1 means low sensitivity,
- e) „S-5” indicates the mounting distance in cm,
- f) „S-6” automatic movement of the worktop - 0 means that you have to hold the button until the desired position is reached, 1 means automatic movement when the button is pressed, and any button stops it,
- g) „S-7” running time 2/18 - 0 means function is disabled (the system relies solely on the temperature protection controller), 1 means that the 2 min of movement for 18 min of rest function is enabled,
- h) „S-8” protection resulting from different lengths of the desk's legs - 0 means the function off, 1-8 mean 0.5°-4° difference respectively.

Error codes

ERROR CODE	DESCRIPTION	SOLUTION
E01	Mains voltage exceeded by 45V	Check power supply
E02	Height difference between desk legs exceeds 1 cm	Initiate the desk
E04	Faulty connection of the manual controller or communication error	Check panel cable
E05	Displayed when the table/desk is locked	Release button and restart
E06	Main power supply start-up failed, voltage below 20V	Replace main power supply or check the main power supply connection cable
E07	Protection when the main power supply is operating, voltage below 20V	Reconnect power supply
E08	Desk / table tilted while moving	Re-initiate the desk
HOT	The temperature of the power supply is too high or has been running for more than 2 minutes in 18 minutes	Wait for the power supply to cool down or wait 18 minutes for the system to restart
E11	Motor No. 1 not connected	Check connection cable
E12	Error in current sampling channel of motor No. 1	Replace controller
E13	Motor No. 1 is out of phase, there has been a disconnection with the controller	Check if motor can be connected to the controller
E14	Hall fault of motor No. 1 or disconnection of Hall wires	Check Hall signal or replace connection cable
E15	Internal short circuit of motor No. 1	Replace motor
E16	Motor No. 1 locked	Re-initiate the desk
E17	Motor No. 1 runs in the wrong direction	Switch motor cables or Hall wires
E18	Load on motor No. 1 is too high, overload	Reduce the load on the worktop
E21	Motor No. 2 not connected	Check connection cable
E22	Error in current sampling channel of motor No. 2	Replace controller
E23	Motor No. 2 is out of phase, there has been a disconnection with the controller	Check if motor can be connected to the controller
E24	Hall fault of motor No. 2 or disconnection of Hall wires	Check Hall signal or replace connection cable
E25	Internal short circuit of motor No. 2	Replace motor
E26	Motor No. 2 locked	Re-initiate the desk
E27	Motor No. 2 runs in the wrong direction	Switch motor cables or Hall wires

E28	Load on motor No. 2 is too high, overload	Reduce the load on the worktop
E40	Serial connection has a break in the controller	Check connection cable
E41	Serial signal error	Check connection cable or replace controller
E42	Memory error	Replace controller
E43	Stop - sensor fault in case due to an obstacle	Replace controller