

Compact Drive technical specification



.mdd

MDD has a leading position among manufacturers of office furniture with many awards that prove quality and continuously increase demand for its products.

The realities of today's market require constant quality improvement at all levels of modern organization. This applies in particular to customer service, marketing, quality of products and also to quality of processes within the company.

Partnership relations among employees and with business partners form a base of economic growth and success of the company.

Constant investments in innovative machinery park, optimization of management systems and an expansion of production halls allow to minimize the lead times for the product of the highest quality.

More than twenty years of experience in office furniture industry come with reference from a long list of companies and institutions to show their appreciation for an efficient and comprehensive service.

MDD is highly aware of the environment.

Being located in the forest region with lake by its side, MDD takes the nature seriously and invests constantly in a modern and energy-efficient solutions to preserve the local life. Company puts emphasis on waste segregation and recycling. MDD has been awarded for the exceptional care and involvement in waste disposal. All materials used are environmentally friendly and enjoy a high 95 % rate of being recycled.



General informations:

Warranty:

MDD products – **5 years.**

Electrical components and fabric – **2 years.**

Certificate - MFC:



Boards density:

12 mm – 690 – 750 kg/m³

18 mm – 650 – 690 kg/m³

28 mm – 610 – 630 kg/m³

36 mm – 610 – 630 kg/m³

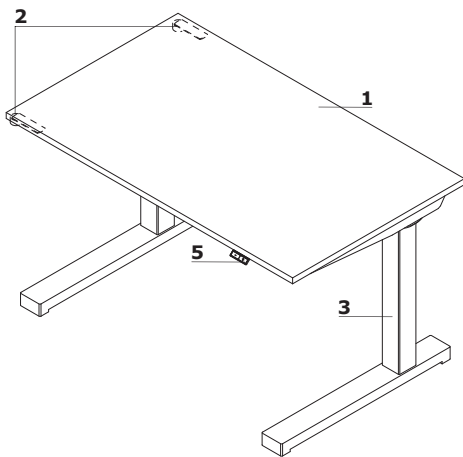
Assembly:

the product comes pre-assembled

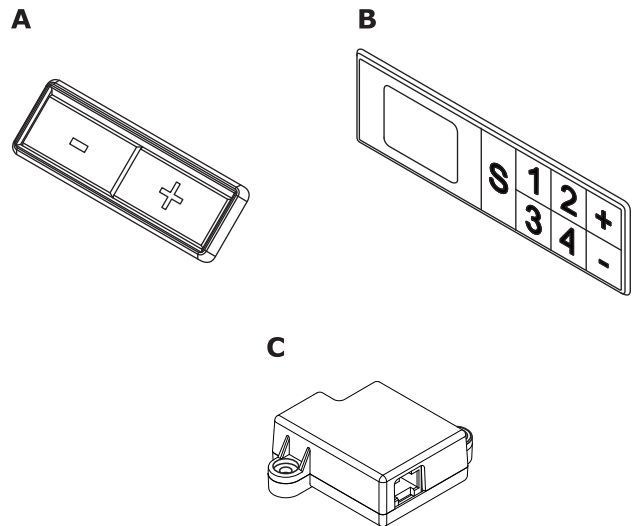
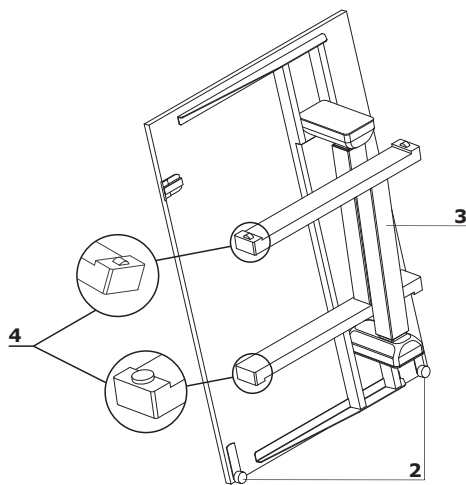
Packing:

cardboard

Technical specification



1. **Top** - MFC 18 mm, black, ABS edges 2 mm
2. **Transport wheels** - allow moving the desk in the folded position
3. **Electric height adjustable frame** - powder coated steel, load 100 kg, telescopic leg, folding
4. **Foot:**
 - feet - only on the right hand side leg
 - transport wheels - only on the left hand side leg
5. **Control panel - stepless height adjustment:**
 - A - basic control panel; the sensitivity of the anti-collision system is set to Medium
 - B - OPTION WITH EXTRA CHARGE - up and down keypad with memory; the ability to change the sensitivity of the anti-collision system within 3 levels: Low, Medium, High
 - C - Bluetooth module:
 - * compatible with both panel A and B
 - * the ability to change the sensitivity of the anti-collision system within 3 levels: Low, Medium, High
 - * control via MDD Desk BT application (downloadable from Google Play or App Store). The app has a time interval function that informs the user about the need of changing body position (from sitting to standing or standing to sitting)



Attention - the desk is arrives pre-assembled with folded frame (unfolding the frame does not require any tools)

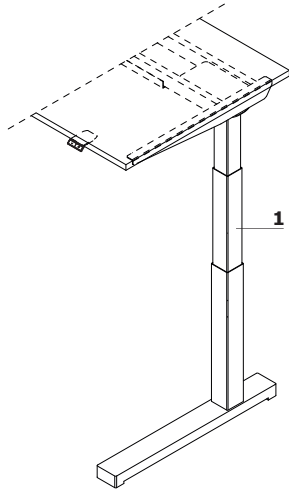
Frame technical specification

- Height adjustment** - 40 mm/sec Super Soft Start - Stop
- Drive** - 2 synchronised motors with microprocessor, work control sensor
- Noise level** - < 48dB
- Anti colision mechanism**
- Standards** - EN 527-2
- EU Directives** - 206/95EC, UI508 1999, UL 1004 R7 06, WE DC 2004/108WE
- Power supply** - 230V, 300W, power consumption on Standby - 0.3W

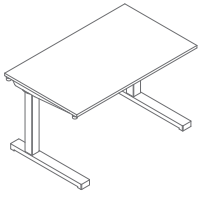
Compact Drive	Date of preparation 16.10.2020	The data contained in this document is valid in the day of its preparation. Change of the product, as long as it does not affect the basic features of it, does not require consistent updates of the document.	page 3/6 technical description
---------------	-----------------------------------	---	-----------------------------------

Frame

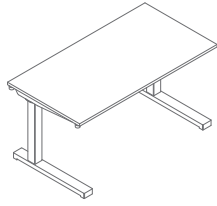
1. Electric height adjustable frame - in the range of 540-1190 mm
- sit-stand, metal, powder coated, 3 profiles 50 x 50 mm,
55 x 55 mm and 60 x 60 mm



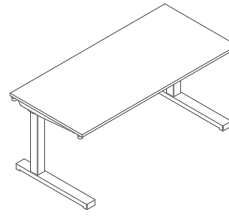
Desks *



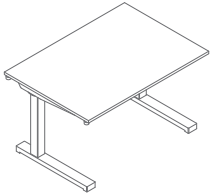
CDR60
1000 / 600 / 575-1225
40 kg



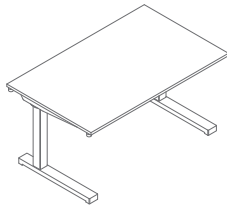
CDR62
1200 / 600 / 575-1225
44 kg



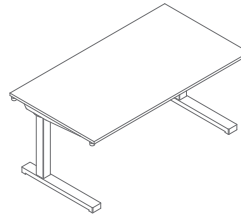
CDR64
1400 / 600 / 575-1225
48 kg



CDR70
1000 / 700 / 575-1225
42 kg



CDR72
1200 / 700 / 575-1225
46 kg



CDR74
1400 / 700 / 575-1225
50 kg

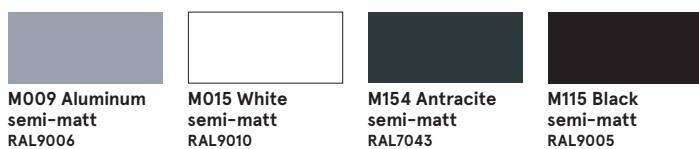
* dimensions expressed in millimeters: width x depth x height

Compact Drive	Date of preparation 16.10.2020	The data contained in this document is valid in the day of its preparation. Change of the product, as long as it does not affect the basic features of it, does not require consistent updates of the document.	page 5/6
			products

Top



Frame - metal



* OPTION WITH EXTRA CHARGE - worktop edge, colour: ash natural