

Cool technical specification



.mdd

MDD has a leading position among manufacturers of office furniture with many awards that prove quality and continuously increase demand for it's products.

The realities of today`s market require constant quality improvement at all levels of modern organization. This applies in particular to customer service, marketing, quality of products and also to quality of processes within the company.

Partnership relations among employees and with business partners form a base of economic growth and success of the company.

Constant investments in innovative machinery park, optimization of management systems and an expansion of production halls allow to minimize the lead times for the product of the highest quality.

More than twenty years of experience in office furniture industry come with reference from a long list of companies and institutions to show their appreciation for an efficient and comprehensive service.

MDD is highly aware of the environment.

Being located in the forest region with lake by it's side, MDD takes the nature seriously and invests constantly in a modern and energy-efficient solutions to preserve the local life. Company puts emphasis on waste segregation and recycling. MDD has been awarded for the exceptional care and involvement in waste disposal. All materials used are environmentally friendly and enjoy a high 95 % rate of being recycled.



General informations:

Warranty:

MDD products - **5 years.**

Electrical components and fabric - **2 years.**

Certificate - fabric:



Assembly:

le produit est livré pré-assemblé

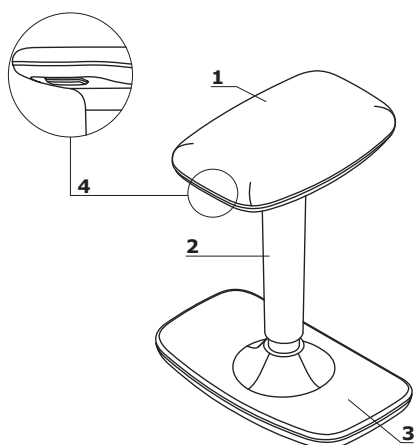
Packing:

carton

Cool	Date of preparation 16.07.2020	The data contained in this document is valid in the day of its preparation. Change of the product, as long as it does not affect the basic features of it, does not require consistent updates of the document.	page 2/6 general informations
------	-----------------------------------	---	---

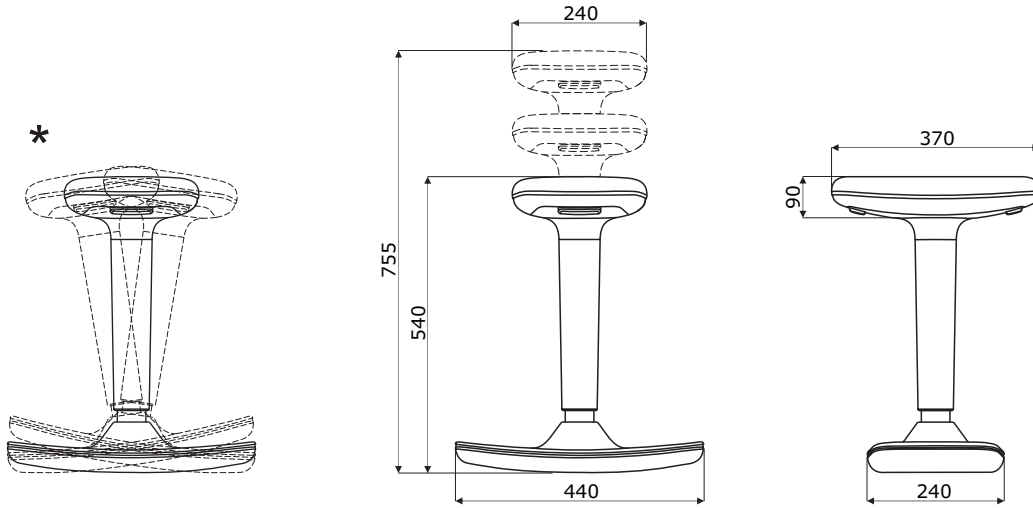
Tabouret Cool

1. Assise 360 ° - base en polypropylène, mousse injectée d'une densité de 65 kg/m³, tapissée
2. Vérin à gaz - capot en polypropylène
3. Base - en polypropylène, recouvert de caoutchouc antidérapant
4. Bouton - pour ajuster la hauteur d'assise



Cool	Date of preparation 16.07.2020	The data contained in this document is valid in the day of its preparation. Change of the product, as long as it does not affect the basic features of it, does not require consistent updates of the document.	page 3/6
			technical specification

Dimensions



* basculement (gauche, droite) +/- 20 °

Cool	Date of preparation 16.07.2020	The data contained in this document is valid in the day of its preparation. Change of the product, as long as it does not affect the basic features of it, does not require consistent updates of the document.	page 4/6
			dimensions (mm)

Cool *



CL01
540 / 440 / 240
8 kg

* Dimensions exprimées en millimètre : Largeur x Profondeur x Hauteur

Cool	Date of preparation 16.07.2020	The data contained in this document is valid in the day of its preparation. Change of the product, as long as it does not affect the basic features of it, does not require consistent updates of the document.	page 5/6
			products

Assise - tissu Xtreme



XR160 Aigue marine



XR430 Turquoise foncé



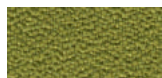
XR026 Bleu marine



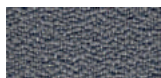
XR084 Violet



XR009 Noir



XR420 Olive



XR081 Gris foncé



XR094 Gris



XR108 Beige



XR079 Rouge



YS071 Marron clair

Données techniques :

Composition 100% Trevira Clame (CS)
100% Recykring (YS)
Polyester retardateur de flamme.
Teintures non métalliques.

Poids du tissu 310 g/m² ±5% (435g/lin.m ±5%)
Résistance à l'abrasion 60,000 Martindale (CS)
100,000 Martindale (YS)

Tenue à la lumière 6 (ISO 105 - B02)
Résistance au frottement Humide: 4, Sec: 4 (ISO 105 - X12)

Normes au feu EN 1021 - 1 (cigarette),
EN 1021 - 2 (allumette)
BS 7176 Low Hazard,
NF P92-507 M1, DIN 4102 B1,
UNI 9175 Klasa 1 IM, UNI 8456,
UNI 9174 & UNI 9177 Classe Uno,
ÖNORM B 3825 & A 3800-1
NF D 60-013

Base



Noir