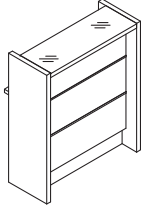
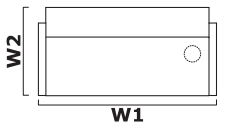
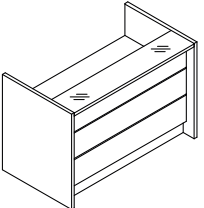
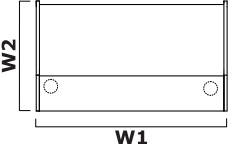
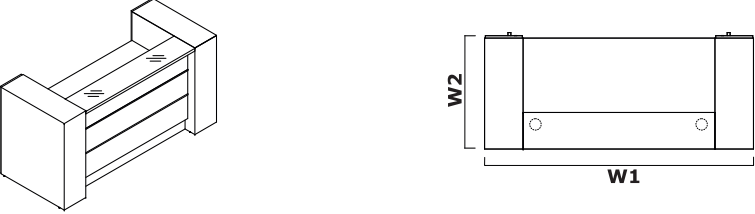


|   |  |             |     |    |    |      |                              |                   |
|--|--|-------------|-----|----|----|------|------------------------------|-------------------|
| Symbol   |  | Abmessungen |     |    |    |      | kg m3 pcs                    | Bestandteile      |
|  |  | W1          | W2  | D1 | D2 | H    |                              |                   |
| LAV96L   |  | 920         | 454 |    |    | 1105 | 50.5 kg<br>0.178 m3<br>5 pcs | LAN8L+LA09L+LAN7P |

| Aufpreis |  |  |  |  |  |  |
|----------|--|--|--|--|--|--|
|          |  |  |  |  |  |  |
|          |  |  |  |  |  |  |


|   |  |             |     |    |    |      |                               |                   |
|---|--|-------------|-----|----|----|------|-------------------------------|-------------------|
| Symbol  |  | Abmessungen |     |    |    |      | kg m3 pcs                     | Bestandteile      |
|   |  | W1          | W2  | D1 | D2 | H    |                               |                   |
| LAV95L  |  | 920         | 917 |    |    | 1105 | 88 kg<br>0.252 m3<br>6 pcs    | LAN2L+LA09L+LAN1P |
| LAV75L  |  | 1366        | 917 |    |    | 1105 | 105.6 kg<br>0.326 m3<br>6 pcs | LAN2L+LA13L+LAN1P |
| LAV76L  |  | 1666        | 917 |    |    | 1105 | 119 kg<br>0.373 m3<br>6 pcs   | LAN2L+LA16L+LAN1P |
| LAV77L  |  | 2366        | 917 |    |    | 1105 | 145.5 kg<br>0.497 m3<br>7 pcs | LAN2L+LA23L+LAN1P |

| Aufpreis |  |  |  |  |  |  |
|----------|--|--|--|--|--|--|
|          |  |  |  |  |  |  |
|          |  |  |  |  |  |  |
|          |  |  |  |  |  |  |
| X        |  |  |  |  |  |  |
| X        |  |  |  |  |  |  |
| X        |  |  |  |  |  |  |




| Symbol        | Abmessungen | Abmessungen |     |    |    |      | kg m3 pcs                     | Bestandteile                   |
|---------------|-------------|-------------|-----|----|----|------|-------------------------------|--------------------------------|
|               |             | W1          | W2  | D1 | D2 | H    |                               |                                |
| <b>LAV01L</b> |             | 1926        | 937 |    |    | 1105 | 162.6 kg<br>0.973 m3<br>8 pcs | LAD10+LAL10+LA13L+LAP10 +LAD10 |
| <b>LAV02L</b> |             | 2226        | 937 |    |    | 1105 | 176 kg<br>1.02 m3<br>8 pcs    | LAD10+LAL10+LA16L+LAP10 +LAD10 |
| <b>LAV03L</b> |             | 2926        | 937 |    |    | 1105 | 202.5 kg<br>1.145 m3<br>9 pcs | LAD10+LAL10+LA23L+LAP10 +LAD10 |

| Aufpreis          |  |  |  |  |  |  |
|-------------------|--|--|--|--|--|--|
| Monitorboden x 1p |  |  |  |  |  |  |
| X                 |  |  |  |  |  |  |
| X                 |  |  |  |  |  |  |
| X                 |  |  |  |  |  |  |



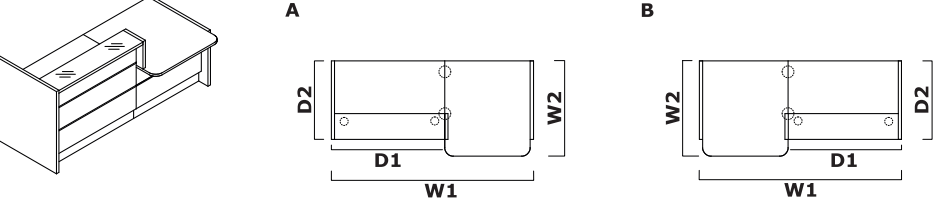
| Symbol        | Abmessungen | Abmessungen |      |      |      |      | kg m3 pcs                      | Bestandteile                                     |
|---------------|-------------|-------------|------|------|------|------|--------------------------------|--|
|               |             | W1          | W2   | D1   | D2   | H    |                                |  |
| <b>LAV10L</b> |             | 1908        | 1908 | 991  | 991  | 1105 | 238.4 kg<br>1.374 m3<br>14 pcs | LAD10+LAL10+LAL13L+LA100+LAP13L+LAP10+LAD10+NL41 |
| <b>LAV11L</b> |             | 1908        | 2208 | 991  | 1291 | 1105 | 252.3 kg<br>1.421 m3<br>14 pcs | LAD10+LAL10+LAL13L+LA100+LAP16L+LAP10+LAD10+NL41 |
| <b>LAV12L</b> |             | 1908        | 2908 | 991  | 1991 | 1105 | 278.8 kg<br>1.546 m3<br>15 pcs | LAD10+LAL10+LAL13L+LA100+LAP23L+LAP10+LAD10+NL41 |
| <b>LAV13L</b> |             | 2208        | 1908 | 1291 | 991  | 1105 | 252.3 kg<br>1.421 m3<br>14 pcs | LAD10+LAL10+LAL16L+LA100+LAP13L+LAP10+LAD10+NL41 |
| <b>LAV14L</b> |             | 2208        | 2208 | 1291 | 1291 | 1105 | 266.2 kg<br>1.468 m3<br>14 pcs | LAD10+LAL10+LAL16L+LA100+LAP16L+LAP10+LAD10+NL41 |
| <b>LAV15L</b> |             | 2208        | 2908 | 1291 | 1991 | 1105 | 292.7 kg<br>1.593 m3<br>15 pcs | LAD10+LAL10+LAL16L+LA100+LAP23L+LAP10+LAD10+NL41 |

| Aufpreis          |                  |  |  |  |  |  |
|-------------------|------------------|--|--|--|--|--|
| Monitorboden x 1p | Monitorboden x 2 |  |  |  |  |  |
| X                 | X                |  |  |  |  |  |
| X                 | X                |  |  |  |  |  |
| X                 | X                |  |  |  |  |  |
| X                 | X                |  |  |  |  |  |
| X                 | X                |  |  |  |  |  |



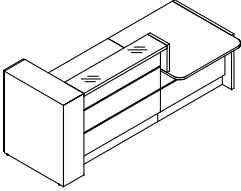
| Symbol        |  | Abmessungen |      |      |      |      | kg m3 pcs                      | Bestandteile                                      |
|---------------|--|-------------|------|------|------|------|--------------------------------|---|
|               |  | W1          | W2   | D1   | D2   | H    |                                |   |
| <b>LAV16L</b> |  | 2908        | 1908 | 1991 | 991  | 1105 | 278.8 kg<br>1.546 m3<br>15 pcs | LAD10+LAL10+LAL23L+LA100 +LAP13L+LAP10+LAD10+NL41 |
| <b>LAV17L</b> |  | 2908        | 2208 | 1991 | 1291 | 1105 | 292.7 kg<br>1.593 m3<br>15 pcs | LAD10+LAL10+LAL23L+LA100 +LAP16L+LAP10+LAD10+NL41 |
| <b>LAV18L</b> |  | 2908        | 2908 | 1991 | 1991 | 1105 | 319.2 kg<br>1.717 m3<br>16 pcs | LAD10+LAL10+LAL23L+LA100 +LAP23L+LAP10+LAD10+NL41 |

| Aufpreis          |                  |  |  |  |  |  |
|-------------------|------------------|--|--|--|--|--|
| Monitorboden x 1p | Monitorboden x 2 |  |  |  |  |  |
| X                 | X                |  |  |  |  |  |
| X                 | X                |  |  |  |  |  |
| X                 | X                |  |  |  |  |  |

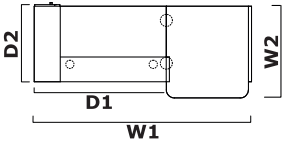


| Symbol         |                |  | Abmessungen |      |      |     |      | kg m3 pcs                      | Bestandteile   |
|----------------|----------------|--|-------------|------|------|-----|------|--------------------------------|--|
| A              | B              |  | W1          | W2   | D1   | D2  | H    |                                |  |
| <b>LAV19L</b>  | <b>LAV20L</b>  |  | 2366        | 1114 | 1328 | 917 | 1105 | 138.9 kg<br>0.509 m3<br>12 pcs | A - LAN6L+LAU11L+LAN4L+LA13L+LAN1P+NL41<br>B - LAN2L+LA13L+LAN3P+LAU11L +LAN5P+NL41  |
| <b>LAV21L</b>  | <b>LAV22L</b>  |  | 2666        | 1114 | 1628 | 917 | 1105 | 152.3 kg<br>0.556 m3<br>12 pcs | A - LAN6L+LAU11L+LAN4L+LA16L+LAN1P+NL41<br>B - LAN2L+LA16L+LAN3P+LAU11L +LAN5P+NL41  |
| <b>LAV23L</b>  | <b>LAV24L</b>  |  | 3366        | 1114 | 2318 | 917 | 1105 | 178.8 kg<br>0.68 m3<br>13 pcs  | A - LAN6L+LAU11L+LAN4L+LA23L+LAN1P+NL41<br>B - LAN2L+LA23L+LAN3P+LAU11L +LAN5P+NL41  |
| <b>LAV191L</b> | <b>LAV201L</b> |  | 2166        | 1114 | 1328 | 917 | 1105 | 134.9 kg<br>0.486 m3<br>12 pcs | A - LAN6L+LAU18L+LAN4L+LA13L +LAN1P+NL41<br>B - LAN2L+LA13L+LAN3P+LAU18L +LAN5P+NL41 |
| <b>LAV211L</b> | <b>LAV221L</b> |  | 2466        | 1114 | 1628 | 917 | 1105 | 148.3 kg<br>0.533 m3<br>12 pcs | A - LAN6L+LAU18L+LAN4L+LA16L +LAN1P+NL41<br>B - LAN2L+LA16L+LAN3P+LAU18L+LAN5P+NL41  |
| <b>LAV231L</b> | <b>LAV241L</b> |  | 3166        | 1114 | 2318 | 917 | 1105 | 174.8 kg<br>0.657 m3<br>13 pcs | A - LAN6L+LAU18L+LAN4L+LA23L +LAN1P+NL41<br>B - LAN2L+LA23L+LAN3P+LAU18L +LAN5P+NL41 |

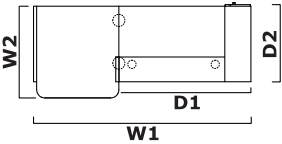
| Aufpreis          |  |  |  |  |  |  |
|-------------------|--|--|--|--|--|--|
| Monitorboden x 1p |  |  |  |  |  |  |
| X                 |  |  |  |  |  |  |
| X                 |  |  |  |  |  |  |
| X                 |  |  |  |  |  |  |
| X                 |  |  |  |  |  |  |
| X                 |  |  |  |  |  |  |
| X                 |  |  |  |  |  |  |



**A**

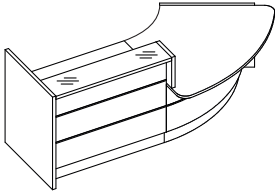


**B**

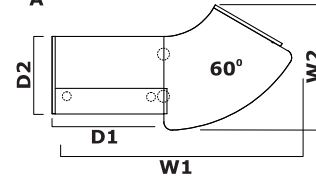


| Symbol  |         | Abmessungen | kg m3 pcs | Bestandteile |     |      |                                |  |
|---------|---------|-------------|-----------|--------------|-----|------|--------------------------------|--|
| A       | B       |             |           |              | W1  | W2   | D1                             | D2   |
| LAV41L  | LAV42L  | 2646        | 1134      | 1608         | 937 | 1105 | 167.4 kg<br>0.833 m3<br>13 pcs | A - LAN6L+LAU11L+LAN4L+LA13L+LAP10+LAD10+NL41<br>B - LAD10+LAL10+LA13L+LAN3P +LAU11L+LAN5P+NL41  |
| LAV43L  | LAV44L  | 2946        | 1134      | 1908         | 937 | 1105 | 180.8 kg<br>0.88 m3<br>13 pcs  | A - LAN6L+LAU11L+LAN4L+LA16L+LAP10+LAD10+NL41<br>B - LAD10+LAL10+LA16L+LAN3P +LAU11L+LAN5P+NL41  |
| LAV45L  | LAV46L  | 3646        | 1134      | 2608         | 937 | 1105 | 207.3 kg<br>1.004 m3<br>14 pcs | A - LAN6L+LAU11L+LAN4L+LA23L+LAP10+LAD10+NL41<br>B - LAD10+LAL10+LA23L+LAN3P +LAU11L+LAN5P+NL41  |
| LAV411L | LAV421L | 2446        | 1134      | 1608         | 937 | 1105 | 163.4 kg<br>0.809 m3<br>13 pcs | A - LAN6L+LAU18L+LAN4L+LA13L +LAP10+LAD10+NL41<br>B - LAD10+LAL10+LA13L+LAN3P +LAU18L+LAN5P+NL41 |
| LAV431L | LAV441L | 2746        | 1134      | 1908         | 937 | 1105 | 176.8 kg<br>0.856 m3<br>13 pcs | A - LAN6L+LAU18L+LAN4L+LA16L +LAP10+LAD10+NL41<br>B - LAD10+LAL10+LA16L+LAN3P +LAU18L+LAN5P+NL41 |
| LAV451L | LAV461L | 3446        | 1134      | 2608         | 937 | 1105 | 203.3 kg<br>0.981 m3<br>14 pcs | A - LAN6L+LAU18L+LAN4L+LA23L +LAP10+LAD10+NL41<br>B - LAD10+LAL10+LA23L+LAN3P +LAU18L+LAN5P+NL41 |

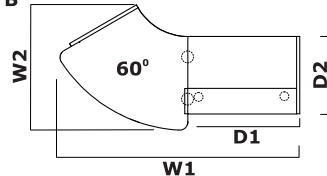
| Aufpreis          |  |  |  |  |  |  |
|-------------------|--|--|--|--|--|--|
| Monitorboden x 1p |  |  |  |  |  |  |
| X                 |  |  |  |  |  |  |
| X                 |  |  |  |  |  |  |
| X                 |  |  |  |  |  |  |
| X                 |  |  |  |  |  |  |
| X                 |  |  |  |  |  |  |
| X                 |  |  |  |  |  |  |



**A**

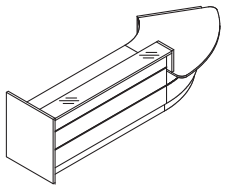


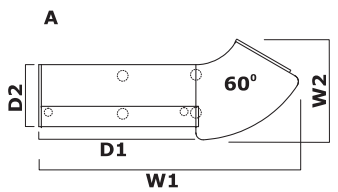
**B**



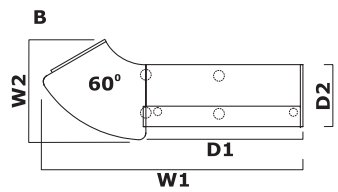
| Symbol |        | Abmessungen | kg m3 pcs | Bestandteile |     |      |                                |  |
|--------|--------|-------------|-----------|--------------|-----|------|--------------------------------|--|
| A      | B      |             |           |              | W1  | W2   | D1                             | D2   |
| LAV88L | LAV89L | 2845        | 1486      | 1328         | 917 | 1105 | 160.9 kg<br>0.832 m3<br>12 pcs | A - LAN6L+LAV66L+LAN4L+LA13L+LAN1P+NL41<br>B - LAN2L+LA13L+LAN3P+LAV66L+LAN5P+NL41 |
| LAV91L | LAV92L | 3145        | 1486      | 1628         | 917 | 1105 | 174.3 kg<br>0.879 m3<br>12 pcs | A - LAN6L+LAV66L+LAN4L+LA16L+LAN1P+NL41<br>B - LAN2L+LA16L+LAN3P+LAV66L+LAN5P+NL41 |

| Aufpreis          |  |  |  |  |  |  |
|-------------------|--|--|--|--|--|--|
| Monitorboden x 1p |  |  |  |  |  |  |
| X                 |  |  |  |  |  |  |
| X                 |  |  |  |  |  |  |





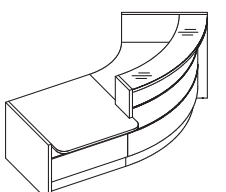
**A**

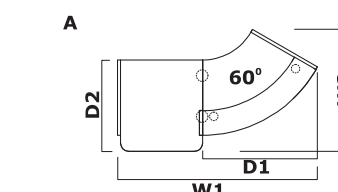


**B**

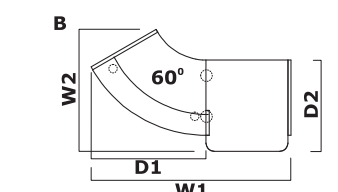
| Symbol        |               | Abmessungen |      |      |     |      | kg m3 pcs                      | Bestandteile   |
|---------------|---------------|-------------|------|------|-----|------|--------------------------------|--|
| A             | B             | W1          | W2   | D1   | D2  | H    |                                |  |
| <b>LAV93L</b> | <b>LAV94L</b> | 3845        | 1486 | 2318 | 917 | 1105 | 200.8 kg<br>1.003 m3<br>13 pcs | A - LAN6L+LAV66L+LAN4L+LA23L+LAN1P+NL41<br>B - LAN2L+LA23L+LAN3P+LAV66L+LAN5P+NL41 |

| Aufpreis           |  |  |  |  |  |
|--------------------|--|--|--|--|--|
| Monitorboden x 1.p |  |  |  |  |  |
| X                  |  |  |  |  |  |





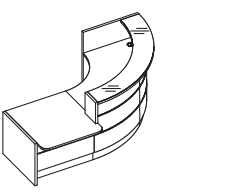
**A**

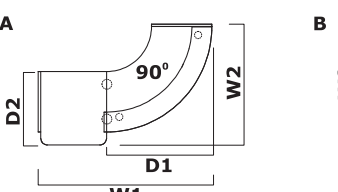


**B**

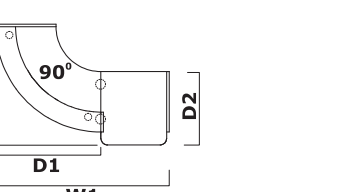
| Symbol         |                | Abmessungen |      |      |      |      | kg m3 pcs                      | Bestandteile   |
|----------------|----------------|-------------|------|------|------|------|--------------------------------|--|
| A              | B              | W1          | W2   | D1   | D2   | H    |                                |  |
| <b>LAV84L</b>  | <b>LAV85L</b>  | 2443        | 1489 | 1404 | 1114 | 1105 | 149.8 kg<br>0.957 m3<br>12 pcs | A - LAN2L+LAV64L+LAN3P+LAU11L +LAN5P+NL41<br>B - LAN6L+LAU11L+LAN4L+LAV64L +LAN1P+NL41 |
| <b>LAV841L</b> | <b>LAV851L</b> | 2243        | 1489 | 1404 | 1114 | 1105 | 145.8 kg<br>0.934 m3<br>12 pcs | A - LAN2L+LAV64L+LAN3P+LAU18L+LAN5P+NL41<br>B - LAN6L+LAU18L+LAN4L+LAV64L+LAN1P+NL41   |

| Aufpreis           |  |  |  |  |  |
|--------------------|--|--|--|--|--|
| Monitorboden x 1.p |  |  |  |  |  |
| X                  |  |  |  |  |  |
| X                  |  |  |  |  |  |





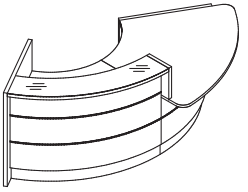
**A**



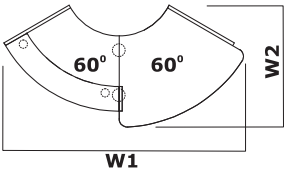
**B**

| Symbol         |                | Abmessungen |      |      |     |      | kg m3 pcs                      | Bestandteile   |
|----------------|----------------|-------------|------|------|-----|------|--------------------------------|--|
| A              | B              | W1          | W2   | D1   | D2  | H    |                                |  |
| <b>LAV86L</b>  | <b>LAV87L</b>  | 2638        | 1835 | 1600 | 937 | 1105 | 190.8 kg<br>1.328 m3<br>13 pcs | A - LAN2L+LAV90L+LAN3P+LAU11L +LAN5P+NL41<br>B - LAN6L+LAU11L+LAN4L+LAV90L +LAN1P+NL41 |
| <b>LAV861L</b> | <b>LAV871L</b> | 2438        | 1835 | 1600 | 937 | 1105 | 186.8 kg<br>1.305 m3<br>13 pcs | A - LAN2L+LAV90L+LAN3P+LAU18L+LAN5P+NL41<br>B - LAN6L+LAU18L+LAN4L+LAV90L+LAN1P+NL41   |

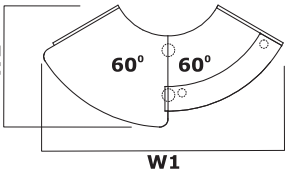
| Aufpreis           |  |  |  |  |  |
|--------------------|--|--|--|--|--|
| Monitorboden x 1.p |  |  |  |  |  |
| X                  |  |  |  |  |  |
| X                  |  |  |  |  |  |



**A**

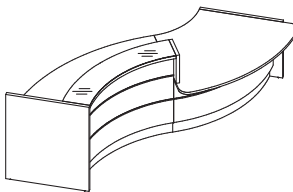


**B**

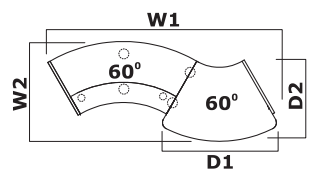


| Symbol        |               |  | Abmessungen |      |    |    |      | kg m3 pcs                     | Bestandteile   |
|---------------|---------------|--|-------------|------|----|----|------|-------------------------------|--|
| A             | B             |  | W1          | W2   | D1 | D2 | H    |                               |  |
| <b>LAV30L</b> | <b>LAV31L</b> |  | 2922        | 1486 |    |    | 1105 | 171.8 kg<br>1.28 m3<br>12 pcs | A - LAN6L+LAV66L+LAN4L+LAV64L +LAN1P+NL41<br>B - LAN2L+LAV64L+LAN3P+LAV66L +LAN5P+NL41 |

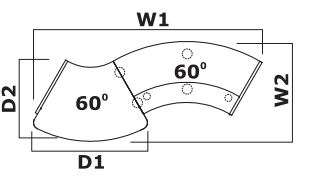
| Aufpreis          |  |  |  |  |  |  |
|-------------------|--|--|--|--|--|--|
| Monitorboden x 1p |  |  |  |  |  |  |
| X                 |  |  |  |  |  |  |



**A**

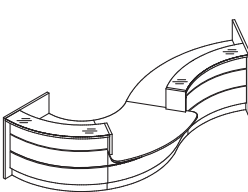


**B**

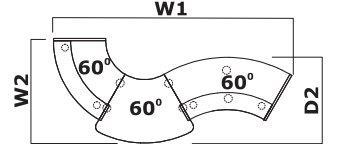


| Symbol        |               |  | Abmessungen |      |      |      |      | kg m3 pcs                      | Bestandteile   |
|---------------|---------------|--|-------------|------|------|------|------|--------------------------------|--|
| A             | B             |  | W1          | W2   | D1   | D2   | H    |                                |  |
| <b>LAV32L</b> | <b>LAV33L</b> |  | 3452        | 1502 | 1720 | 1225 | 1105 | 182.8 kg<br>1.366 m3<br>13 pcs | A - LAN6L+LAV66L+LAN4L+LAV62L +LAN1P+NL41<br>B - LAN2L+LAV62L+LAN3P+LAV66L +LAN5P+NL41 |

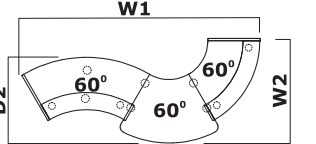
| Aufpreis          |  |  |  |  |  |  |
|-------------------|--|--|--|--|--|--|
| Monitorboden x 1p |  |  |  |  |  |  |
| X                 |  |  |  |  |  |  |



**A**

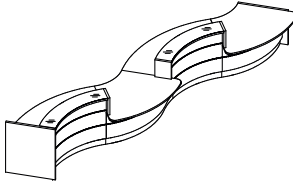
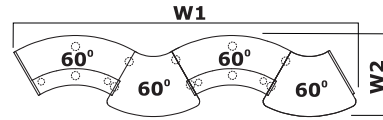
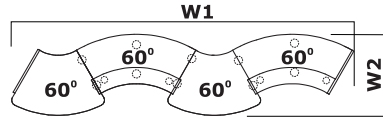


**B**

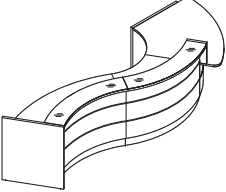
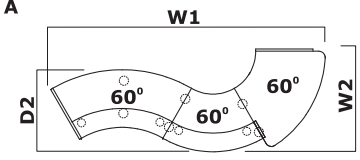
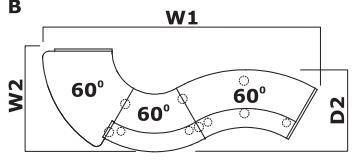


| Symbol        |               |  | Abmessungen |      |    |      |      | kg m3 pcs                      | Bestandteile   |
|---------------|---------------|--|-------------|------|----|------|------|--------------------------------|--|
| A             | B             |  | W1          | W2   | D1 | D2   | H    |                                |  |
| <b>LAV34L</b> | <b>LAV35L</b> |  | 4195        | 1835 |    | 1503 | 1105 | 262.1 kg<br>2.129 m3<br>20 pcs | A - LAN2L+LAV62L+LAN3P+LAV66L +LAN4L+LAV64L+LAN1P+2xNL41<br>B - LAN2L+LAV64L+LAN3P+LAV66L +LAN4L+LAV62L+LAN1P+2xNL41 |

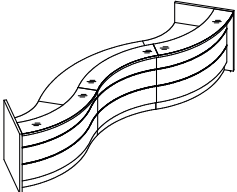
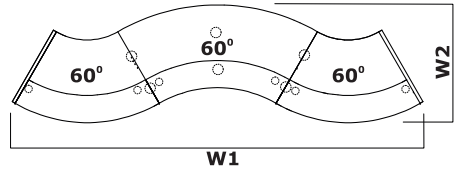
| Aufpreis          |                  |  |  |  |  |  |
|-------------------|------------------|--|--|--|--|--|
| Monitorboden x 1p | Monitorboden x 2 |  |  |  |  |  |
| X                 | X                |  |  |  |  |  |

|  |        |  |      |    |    |      |  |  |  |  |  |
|--|--------|--|------|----|----|------|---|--|--|--|--|
| Symbol   |        | Abmessungen  |      |    |    |      | kg m3 pcs   | Bestandteile   |  |  |  |
| A  | B      | W1   | W2   | D1 | D2 | H    |   |  |  |  |  |
| LAV36L   | LAV37L | 6352   | 1503 |    |    | 1105 | 325.4 kg<br>2.715 m3<br>26 pcs  | A - LAN6L+2xLAV66L+2xLAN4L+2xLAV62L+LAN3P+LAN1P + 3xNL41<br>B - LAN2L+2xLAV62L+2xLAN3P+2xLAV66L+LAN4L+LAN5P + 3xNL41 |  |  |  |

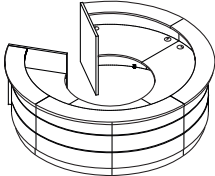
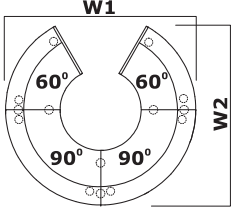
| Aufpreis          |                  |  |  |  |  |
|-------------------|------------------|--|--|--|--|
| Monitorboden x 1p | Monitorboden x 2 |  |  |  |  |
| X                 | X                |  |  |  |  |

|  |        |  |      |    |      |      |  |  |  |  |  |
|---|--------|---|------|----|------|------|---|--|--|--|--|
| Symbol  |        | Abmessungen   |      |    |      |      | kg m3 pcs   | Bestandteile   |  |  |  |
| A   | B      | W1  | W2   | D1 | D2   | H    |   |  |  |  |  |
| LAV38L  | LAV39L | 4386  | 1639 |    | 1307 | 1105 | 252.3 kg<br>2.106 m3<br>19 pcs  | A - LAN6L+LAV66L+LAN4L+LAV64L +LAV62L+LAN1P+2xNL41<br>B - LAN2L+LAV62L+LAV64L+LAN3P +LAV66L+LAN5P+2xNL41 |  |  |  |

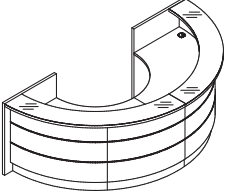
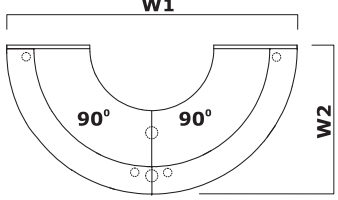
| Aufpreis          |                  |  |  |  |  |
|-------------------|------------------|--|--|--|--|
| Monitorboden x 1p | Monitorboden x 2 |  |  |  |  |
| X                 | X                |  |  |  |  |

|  |  |  |      |    |    |      |                                |                                    |
|--|--|---|------|----|----|------|--------------------------------|------------------------------------|
| Symbol   |  | Abmessungen   |      |    |    |      | kg m3 pcs                      | Bestandteile                       |
|  |  | W1  | W2   | D1 | D2 | H    |                                |                                    |
| LAV50L   |  | 4566  | 1307 |    |    | 1105 | 260.5 kg<br>2.329 m3<br>17 pcs | LAN2L+2xLAV64L+LAV62L+LAN1P+2xNL41 |

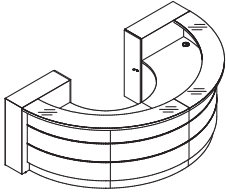
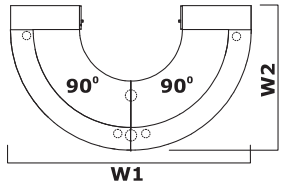
| Aufpreis          |                  |                  |  |  |  |
|-------------------|------------------|------------------|--|--|--|
| Monitorboden x 1p | Monitorboden x 2 | Monitorboden x 3 |  |  |  |
| X                 | X                | X                |  |  |  |

|  |  |             |      |    |    |      |                              |                                       |
|--|--|-------------|------|----|----|------|------------------------------|---------------------------------------|
|   |  | Abmessungen |      |    |    |      | kg m3 pcs                    | Bestandteile                          |
|  |  | W1          | W2   | D1 | D2 | H    |                              |                                       |
| <b>LAV51L</b>  |  | 3202        | 3006 |    |    | 1105 | 410 kg<br>3.741 m3<br>27 pcs | LAN2L+2xLAV64L+2xLAV90L +LAN1P+3xNL41 |

| Aufpreis          |                  |                  |                  |  |  |  |
|-------------------|------------------|------------------|------------------|--|--|--|
| Monitorboden x 1p | Monitorboden x 2 | Monitorboden x 3 | Monitorboden x 4 |  |  |  |
| X                 | X                | X                | X                |  |  |  |


|  |  |             |      |    |    |      |                              |                           |
|--|--|-------------|------|----|----|------|------------------------------|---------------------------|
|   |  | Abmessungen |      |    |    |      | kg m3 pcs                    | Bestandteile              |
|  |  | W1          | W2   | D1 | D2 | H    |                              |                           |
| <b>LAV52L</b>  |  | 3202        | 1639 |    |    | 1105 | 271 kg<br>2.261 m3<br>15 pcs | LAN2L+2xLAV90L+LAN1P+NL41 |

| Aufpreis          |                  |  |  |  |  |  |
|-------------------|------------------|--|--|--|--|--|
| Monitorboden x 1p | Monitorboden x 2 |  |  |  |  |  |
| X                 | X                |  |  |  |  |  |

|  |  |             |      |    |    |      |                              |                                       |
|--|--|-------------|------|----|----|------|------------------------------|---------------------------------------|
|   |  | Abmessungen |      |    |    |      | kg m3 pcs                    | Bestandteile                          |
|  |  | W1          | W2   | D1 | D2 | H    |                              |                                       |
| <b>LAV61L</b>  |  | 3202        | 1919 |    |    | 1105 | 322 kg<br>2.898 m3<br>15 pcs | LAD10+LAL10+2xLAV90L+LAP10+LAD10+NL41 |

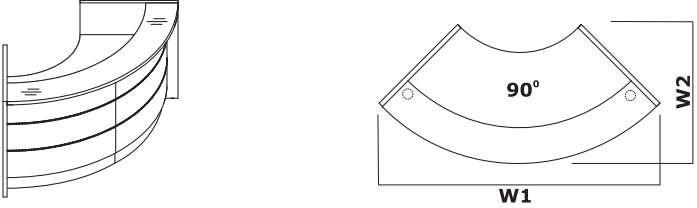
| Aufpreis          |                  |  |  |  |  |  |
|-------------------|------------------|--|--|--|--|--|
| Monitorboden x 1p | Monitorboden x 2 |  |  |  |  |  |
| X                 | X                |  |  |  |  |  |






| Symbol        |  | Abmessungen |      |    |    |      | kg m3 pcs                    | Bestandteile                          |
|---------------|--|-------------|------|----|----|------|------------------------------|---------------------------------------|
|               |  | W1          | W2   | D1 | D2 | H    |                              |                                       |
| <b>LAV04L</b> |  | 3202        | 3006 |    |    | 1105 | 250 kg<br>2.312 m3<br>23 pcs | LAN8L+2xLAV70L+2xLAV64L +LAN7P+3xNL41 |

| Aufpreis          |                  |  |  |  |  |  |
|-------------------|------------------|--|--|--|--|--|
| Monitorboden x 1p | Monitorboden x 2 |  |  |  |  |  |
| X                 | X                |  |  |  |  |  |



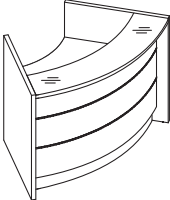
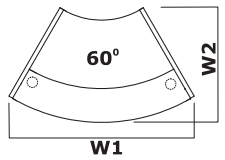
| Symbol        |  | Abmessungen |      |    |    |      | kg m3 pcs                    | Bestandteile       |
|---------------|--|-------------|------|----|----|------|------------------------------|--------------------|
|               |  | W1          | W2   | D1 | D2 | H    |                              |                    |
| <b>LAV53L</b> |  | 2317        | 1145 |    |    | 1105 | 160.5 kg<br>1.15 m3<br>8 pcs | LAN2L+LAV90L+LAN1P |

| Aufpreis          |  |  |  |  |  |  |
|-------------------|--|--|--|--|--|--|
| Monitorboden x 1p |  |  |  |  |  |  |
| X                 |  |  |  |  |  |  |

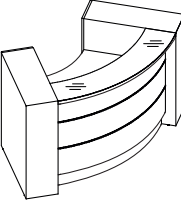
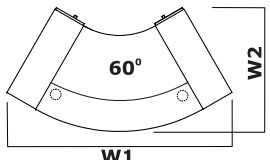


| Symbol        |  | Abmessungen |      |    |    |      | kg m3 pcs                      | Bestandteile                   |
|---------------|--|-------------|------|----|----|------|--------------------------------|--------------------------------|
|               |  | W1          | W2   | D1 | D2 | H    |                                |                                |
| <b>LAV73L</b> |  | 2713        | 1353 |    |    | 1105 | 217.5 kg<br>1.798 m3<br>10 pcs | LAD10+LAL10+LAV90L+LAP10+LAD10 |

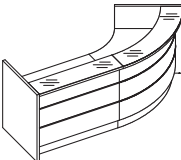
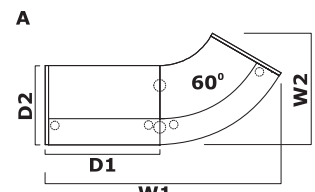
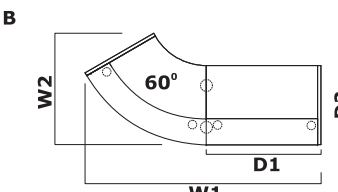
| Aufpreis          |  |  |  |  |  |  |
|-------------------|--|--|--|--|--|--|
| Monitorboden x 1p |  |  |  |  |  |  |
| X                 |  |  |  |  |  |  |

|  |  |  |      |    |    |      |                               |                    |
|--|--|--|------|----|----|------|-------------------------------|--------------------|
| Symbol   |  | Abmessungen  |      |    |    |      | kg m3 pcs                     | Bestandteile       |
|  |  | W1   | W2   | D1 | D2 | H    |                               |                    |
| <b>LAV54L</b>  |  | 1666   | 1029 |    |    | 1105 | 119.5 kg<br>0.779 m3<br>7 pcs | LAN2L+LAV64L+LAN1P |

| Aufpreis          |   |  |  |  |  |  |
|-------------------|---|--|--|--|--|--|
| Monitorboden x 1p |   |  |  |  |  |  |
|                   | X |  |  |  |  |  |

|  |  |  |      |    |    |      |                               |                                |
|---|--|--|------|----|----|------|-------------------------------|--------------------------------|
| Symbol  |  | Abmessungen  |      |    |    |      | kg m3 pcs                     | Bestandteile                   |
|   |  | W1   | W2   | D1 | D2 | H    |                               |                                |
| <b>LAV74L</b>   |  | 2151   | 1183 |    |    | 1105 | 176.5 kg<br>1.427 m3<br>9 pcs | LAD10+LAL10+LAV64L+LAP10+LAD10 |

| Aufpreis          |   |  |  |  |  |  |
|-------------------|---|--|--|--|--|--|
| Monitorboden x 1p |   |  |  |  |  |  |
|                   | X |  |  |  |  |  |

|  |               |  |      |      |     |      |  |  |  |  |
|--|---------------|--|------|------|-----|------|---|--|--|--|
| Symbol   |               | Abmessungen  |      |      |     |      | kg m3 pcs   | Bestandteile   |  |  |
| A  | B             | W1   | W2   | D1   | D2  | H    |   |  |  |  |
| <b>LAV78L</b>  | <b>LAV79L</b> | 2733   | 1292 | 1328 | 917 | 1105 | 178.1 kg<br>1.071 m3<br>13 pcs  | A - LAN2L+LAV64L+LA13L+LAN1P+NL41<br>B - LAN2L+LA13L+LAV64L+LAN1P+NL41 |  |  |
| <b>LAV80L</b>  | <b>LAV81L</b> | 3033   | 1292 | 1628 | 917 | 1105 | 191.5 kg<br>1.118 m3<br>13 pcs  | A - LAN2L+LAV64L+LA16L+LAN1P+NL41<br>B - LAN2L+LA16L+LAV64L+LAN1P+NL41 |  |  |
| <b>LAV82L</b>  | <b>LAV83L</b> | 3733   | 1292 | 2318 | 917 | 1105 | 218 kg<br>1.242 m3<br>14 pcs  | A - LAN2L+LAV64L+LA23L+LAN1P+NL41<br>B - LAN2L+LA23L+LAV64L+LAN1P+NL41 |  |  |

| Aufpreis          |                  |   |   |  |  |  |
|-------------------|------------------|---|---|--|--|--|
| Monitorboden x 1p | Monitorboden x 2 |   |   |  |  |  |
|                   |                  | X | X |  |  |  |
| X                 | X                |   |   |  |  |  |
| X                 | X                |   |   |  |  |  |

| Symbol |        | Abmessungen                                    | kg m3 pcs                      | Bestandteile   |
|--------|--------|--|--------------------------------|--|
| A      | B      |  |                                |  |
| LAV55L | LAV56L | W1: 3208, W2: 1918, D1: 1608, D2: 937, H: 1105 | 276.1 kg<br>2.089 m3<br>16 pcs | A - LAD10+LAL10+LAV90L+LA13L+LAP10+LAD10+NL41<br>B - LAD10+LAL10+LA13L+LAV90L+LAP10+LAD10+NL41 |
| LAV57L | LAV58L | W1: 3508, W2: 1918, D1: 1908, D2: 937, H: 1105 | 289.5 kg<br>2.137 m3<br>16 pcs | A - LAD10+LAL10+LAV90L+LA16L+LAP10+LAD10+NL41<br>B - LAD10+LAL10+LA16L+LAV90L+LAP10+LAD10+NL41 |

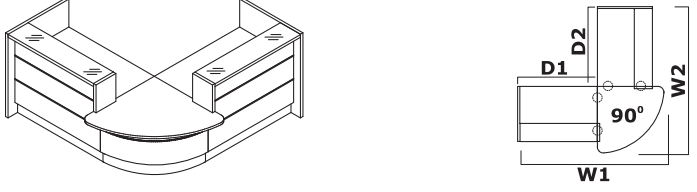
| Aufpreis          |                  |  |  |  |  |
|-------------------|------------------|--|--|--|--|
| Monitorboden x 1p | Monitorboden x 2 |  |  |  |  |
| X                 | X                |  |  |  |  |
| X                 | X                |  |  |  |  |

| Symbol |        | Abmessungen                                    | kg m3 pcs                    | Bestandteile   |
|--------|--------|--|------------------------------|--|
| A      | B      |  |                              |  |
| LAV59L | LAV60L | W1: 4208, W2: 1918, D1: 2608, D2: 937, H: 1105 | 316 kg<br>2.261 m3<br>17 pcs | A - LAD10+LAL10+LAV90L+LA23L+LAP10+LAD10+NL41<br>B - LAD10+LAL10+LA23L+LAV90L+LAP10+LAD10+NL41 |

| Aufpreis          |                  |  |  |  |  |
|-------------------|------------------|--|--|--|--|
| Monitorboden x 1p | Monitorboden x 2 |  |  |  |  |
| X                 | X                |  |  |  |  |

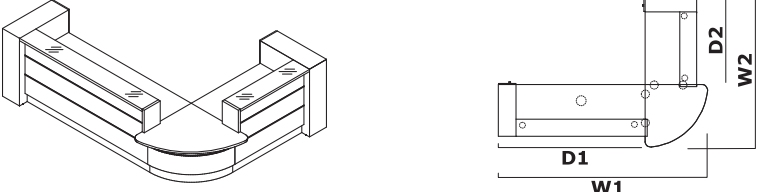
| Symbol  |  | Abmessungen                                     | kg m3 pcs                      | Bestandteile                                      |
|---------|--|---|--------------------------------|---|
|         |  |   |                                |   |
| LAV107L |  | W1: 3437, W2: 2437, D1: 2318, D2: 1328, H: 1105 | 244.2 kg<br>1.121 m3<br>18 pcs | LAN2L+LA13L+LAN3P+LAV68L+LAN4L+LA23L+LAN1P+2xNL41 |
| LAV108L |  | W1: 3437, W2: 2737, D1: 2318, D2: 1628, H: 1105 | 257.6 kg<br>1.168 m3<br>18 pcs | LAN2L+LA16L+LAN3P+LAV68L+LAN4L+LA23L+LAN1P+2xNL41 |
| LAV109L |  | W1: 3437, W2: 3437, D1: 2318, D2: 2318, H: 1105 | 284.1 kg<br>1.293 m3<br>19 pcs | LAN2L+LA23L+LAN3P+LAV68L+LAN4L+LA23L+LAN1P+2xNL41 |

| Aufpreis          |                  |  |  |  |  |
|-------------------|------------------|--|--|--|--|
| Monitorboden x 1p | Monitorboden x 2 |  |  |  |  |
| X                 | X                |  |  |  |  |
| X                 | X                |  |  |  |  |
| X                 | X                |  |  |  |  |



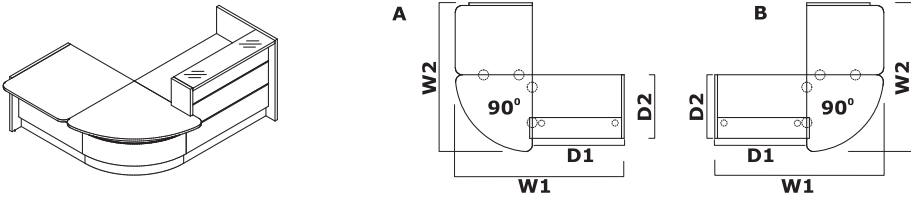
| Symbol  |  | Abmessungen |      |      |      |      | kg m3 pcs                      | Bestandteile                                      |
|---------|--|-------------|------|------|------|------|--------------------------------|---|
|         |  | W1          | W2   | D1   | D2   | H    |                                |   |
| LAV101L |  | 2437        | 2437 | 1328 | 1328 | 1105 | 204.3 kg<br>0.95 m3<br>17 pcs  | LAN2L+LA13L+LAN3P+LAV68L+LAN4L+LA13L+LAN1P+2xNL41 |
| LAV102L |  | 2437        | 2737 | 1328 | 1628 | 1105 | 217.7 kg<br>0.997 m3<br>17 pcs | LAN2L+LA16L+LAN3P+LAV68L+LAN4L+LA13L+LAN1P+2xNL41 |
| LAV103L |  | 2437        | 3437 | 1328 | 2318 | 1105 | 244.2 kg<br>1.121 m3<br>18 pcs | LAN2L+LA23L+LAN3P+LAV68L+LAN4L+LA13L+LAN1P+2xNL41 |
| LAV104L |  | 2737        | 2437 | 1628 | 1328 | 1105 | 217.7 kg<br>0.997 m3<br>17 pcs | LAN2L+LA13L+LAN3P+LAV68L+LAN4L+LA16L+LAN1P+2xNL41 |
| LAV105L |  | 2737        | 2737 | 1628 | 1628 | 1105 | 231.1 kg<br>1.044 m3<br>17 pcs | LAN2L+LA16L+LAN3P+LAV68L+LAN4L+LA16L+LAN1P+2xNL41 |
| LAV106L |  | 2737        | 3437 | 1628 | 2318 | 1105 | 257.6 kg<br>1.168 m3<br>18 pcs | LAN2L+LA23L+LAN3P+LAV68L+LAN4L+LA16L+LAN1P+2xNL41 |

| Aufpreis          |                  |  |  |  |  |  |
|-------------------|------------------|--|--|--|--|--|
| Monitorboden x 1p | Monitorboden x 2 |  |  |  |  |  |
| X                 | X                |  |  |  |  |  |
| X                 | X                |  |  |  |  |  |
| X                 | X                |  |  |  |  |  |
| X                 | X                |  |  |  |  |  |
| X                 | X                |  |  |  |  |  |
| X                 | X                |  |  |  |  |  |



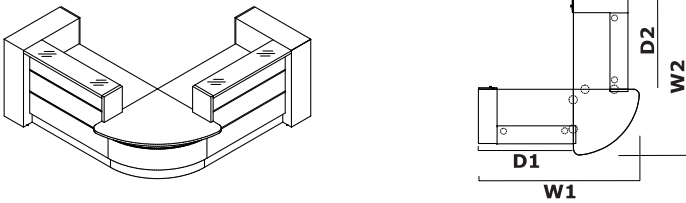
| Symbol  |  | Abmessungen |      |      |      |      | kg m3 pcs                      | Bestandteile  |
|---------|--|-------------|------|------|------|------|--------------------------------|---|
|         |  | W1          | W2   | D1   | D2   | H    |                                |   |
| LAV122L |  | 3717        | 2717 | 2608 | 1608 | 1105 | 301.2 kg<br>1.769 m3<br>20 pcs | LAD10+LAL10+LA13L+LAN3P +LAV68L+LAN4L+LA23L+LAP10 +LAD10+2xNL41 |
| LAV123L |  | 3717        | 3017 | 2608 | 1908 | 1105 | 314.6 kg<br>1.816 m3<br>20 pcs | LAD10+LAL10+LA16L+LAN3P +LAV68L+LAN4L+LA23L+LAP10 +LAD10+2xNL41 |
| LAV124L |  | 3717        | 3717 | 2608 | 2608 | 1105 | 341.1 kg<br>1.94 m3<br>21 pcs  | LAD10+LAL10+LA23L+LAN3P +LAV68L+LAN4L+LA23L+LAP10 +LAD10+2xNL41 |

| Aufpreis          |                  |  |  |  |  |  |
|-------------------|------------------|--|--|--|--|--|
| Monitorboden x 1p | Monitorboden x 2 |  |  |  |  |  |
| X                 | X                |  |  |  |  |  |
| X                 | X                |  |  |  |  |  |
| X                 | X                |  |  |  |  |  |



| Symbol   |          | Abmessungen | kg m3 pcs | Bestandteile |     |      |                                |   |
|----------|----------|-------------|-----------|--------------|-----|------|--------------------------------|---|
| A        | B        |             |           |              | W1  | W2   | D1                             | D2  |
| LAV110L  | LAV111L  | 2442        | 2147      | 1328         | 917 | 1105 | 176.4 kg<br>0.832 m3<br>16 pcs | A - LAN2L+LA13L+LAN3P+LAV68L+LAU11L+LAN5P+2xNL41<br>B - LAN6L+LAU11L+LAV68L+LAN4L +LA13L+LAN1P+2xNL41 |
| LAV112L  | LAV113L  | 2742        | 2147      | 1628         | 917 | 1105 | 189.8 kg<br>0.879 m3<br>16 pcs | A - LAN2L+LA16L+LAN3P+LAV68L+LAU11L+LAN5P+2xNL41<br>B - LAN6L+LAU11L+LAV68L+LAN4L +LA16L+LAN1P+2xNL41 |
| LAV114L  | LAV115L  | 3442        | 2147      | 2318         | 917 | 1105 | 216.3 kg<br>1.004 m3<br>17 pcs | A - LAN2L+LA23L+LAN3P+LAV68L+LAU11L+LAN5P+2xNL41<br>B - LAN6L+LAU11L+LAV68L+LAN4L +LA23L+LAN1P+2xNL41 |
| LAV1101L | LAV1111L | 2442        | 1947      | 1328         | 917 | 1105 | 172.4 kg<br>0.809 m3<br>16 pcs | A - LAN2L+LA13L+LAN3P+LAV68L+LAU18L+LAN5P+2xNL41<br>B - LAN6L+LAU18L+LAV68L+LAN4L+LA13L+LAN1P+2xNL41  |
| LAV1121L | LAV1131L | 2742        | 1947      | 1628         | 917 | 1105 | 185.8 kg<br>0.856 m3<br>16 pcs | A - LAN2L+LA16L+LAN3P+LAV68L+LAU18L+LAN5P+2xNL41<br>B - LAN6L+LAU18L+LAV68L+LAN4L+LA16L+LAN1P+2xNL41  |
| LAV1141L | LAV1151L | 3442        | 1947      | 2318         | 917 | 1105 | 212.3 kg<br>0.98 m3<br>17 pcs  | A - LAN2L+LA23L+LAN3P+LAV68L+LAU18L+LAN5P+2xNL41<br>B - LAN6L+LAU18L+LAV68L+LAN4L+LA23L+LAN1P+2xNL41  |

| Aufpreis           |  |  |  |  |  |  |
|--------------------|--|--|--|--|--|--|
| Monitorboden x 1.p |  |  |  |  |  |  |
| X                  |  |  |  |  |  |  |
| X                  |  |  |  |  |  |  |
| X                  |  |  |  |  |  |  |
| X                  |  |  |  |  |  |  |
| X                  |  |  |  |  |  |  |



| Symbol  |  | Abmessungen | kg m3 pcs | Bestandteile |      |      |                                |  |
|---------|--|-------------|-----------|--------------|------|------|--------------------------------|--|
|         |  |             |           |              | W1   | W2   | D1                             | D2   |
| LAV116L |  | 2717        | 2717      | 1608         | 1608 | 1105 | 261.3 kg<br>1.597 m3<br>19 pcs | LAD10+LAL10+LA13L+LAN3P +LAV68L+LAN4L+LA13L+LAP10<br>+LAD10+2xNL41 |
| LAV117L |  | 2717        | 3017      | 1608         | 1908 | 1105 | 274.7 kg<br>1.644 m3<br>19 pcs | LAD10+LAL10+LA16L+LAN3P +LAV68L+LAN4L+LA13L+LAP10<br>+LAD10+2xNL41 |
| LAV118L |  | 2717        | 3717      | 1608         | 2608 | 1105 | 301.2 kg<br>1.769 m3<br>20 pcs | LAD10+LAL10+LA23L+LAN3P +LAV68L+LAN4L+LA13L+LAP10<br>+LAD10+2xNL41 |
| LAV119L |  | 3017        | 2717      | 1908         | 1608 | 1105 | 274.7 kg<br>1.644 m3<br>19 pcs | LAD10+LAL10+LA13L+LAN3P +LAV68L+LAN4L+LA16L+LAP10<br>+LAD10+2xNL41 |

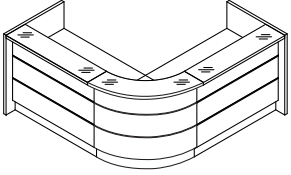
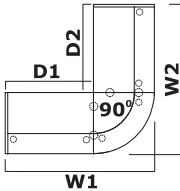
| Aufpreis           |                  |  |  |  |  |  |
|--------------------|------------------|--|--|--|--|--|
| Monitorboden x 1.p | Monitorboden x 2 |  |  |  |  |  |
| X                  | X                |  |  |  |  |  |
| X                  | X                |  |  |  |  |  |
| X                  | X                |  |  |  |  |  |
| X                  | X                |  |  |  |  |  |

| Symbol         |  | Abmessungen |      |      |      |      | kg m3 pcs                      | Bestandteile   |
|----------------|--|-------------|------|------|------|------|--------------------------------|--|
|                |  | W1          | W2   | D1   | D2   | H    |                                |  |
| <b>LAV120L</b> |  | 3017        | 3017 | 1908 | 1908 | 1105 | 288.1 kg<br>1.691 m3<br>19 pcs | LAD10+LAL10+LA16L+LAN3P +LAV68L+LAN4L+LA16L+LAP10<br>+LAD10+2xNL41 |
| <b>LAV121L</b> |  | 3017        | 3717 | 1908 | 2608 | 1105 | 314.6 kg<br>1.816 m3<br>20 pcs | LAD10+LAL10+LA23L+LAN3P +LAV68L+LAN4L+LA16L+LAP10<br>+LAD10+2xNL41 |

| Aufpreis          |                  |  |  |  |  |
|-------------------|------------------|--|--|--|--|
| Monitorboden x 1p | Monitorboden x 2 |  |  |  |  |
| X                 | X                |  |  |  |  |
| X                 | X                |  |  |  |  |

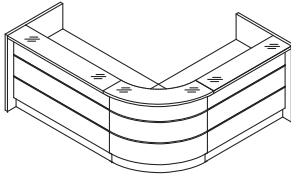
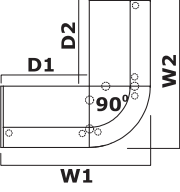
| Symbol          |                 | Abmessungen |      |      |      |      | kg m3 pcs                      | Bestandteile   |
|-----------------|-----------------|-------------|------|------|------|------|--------------------------------|--|
|                 |                 | W1          | W2   | D1   | D2   | H    |                                |  |
| <b>LAV125L</b>  | <b>LAV126L</b>  | 2722        | 2147 | 1608 | 1038 | 1105 | 206.4 kg<br>1.162 m3<br>17 pcs | A - LAD10+LAL10+LA13L+LAN3P +LAV68L+LAU11L+LAN5P+2xNL41<br>B - LAN6L+LAU11L+LAV68L+LAN4L +LA13L+LAP10+LAD10+2xNL41 |
| <b>LAV127L</b>  | <b>LAV128L</b>  | 3022        | 2147 | 1908 | 1038 | 1105 | 215.3 kg<br>1.198 m3<br>16 pcs | A - LAD10+LAL10+LA16L+LAN3P +LAV68L+LAU11L+LAN5P+2xNL41<br>B - LAN6L+LAU11L+LAV68L+LAN4L +LA16L+LAP10+LAD10+2xNL41 |
| <b>LAV129L</b>  | <b>LAV130L</b>  | 3722        | 2147 | 2608 | 1038 | 1105 | 241.8 kg<br>1.322 m3<br>17 pcs | A - LAD10+LAL10+LA23L+LAN3P +LAV68L+LAU11L+LAN5P+2xNL41<br>B - LAN6L+LAU11L+LAV68L+LAN4L +LA23L+LAP10+LAD10+2xNL41 |
| <b>LAV1251L</b> | <b>LAV1261L</b> | 2722        | 1947 | 1608 | 838  | 1105 | 202.4 kg<br>1.138 m3<br>17 pcs | A - LAD10+LAL10+LA13L+LAN3P +LAV68L+LAU18L+LAN5P+2xNL41<br>B - LAN6L+LAU18L+LAV68L+LAN4L+LA13L+LAP10+LAD10+2xNL41  |
| <b>LAV1271L</b> | <b>LAV1281L</b> | 3022        | 1947 | 1908 | 838  | 1105 | 211.3 kg<br>1.175 m3<br>16 pcs | A - LAD10+LAL10+LA16L+LAN3P+LAV68L+LAU18L+LAN5P+2xNL41<br>B - LAN6L+LAU18L+LAV68L+LAN4L+LA16L+LAP10+LAD10+2xNL41   |
| <b>LAV1291L</b> | <b>LAV1301L</b> | 3722        | 1947 | 2608 | 838  | 1105 | 237.8 kg<br>1.299 m3<br>17 pcs | A - LAD10+LAL10+LA23L+LAN3P +LAV68L+LAU18L+LAN5P+2xNL41<br>B - LAN6L+LAU18L+LAV68L+LAN4L+LA23L+LAP10+LAD10+2xNL41  |

| Aufpreis          |  |  |  |  |  |
|-------------------|--|--|--|--|--|
| Monitorboden x 1p |  |  |  |  |  |
| X                 |  |  |  |  |  |
| X                 |  |  |  |  |  |
| X                 |  |  |  |  |  |
| X                 |  |  |  |  |  |
| X                 |  |  |  |  |  |
| X                 |  |  |  |  |  |

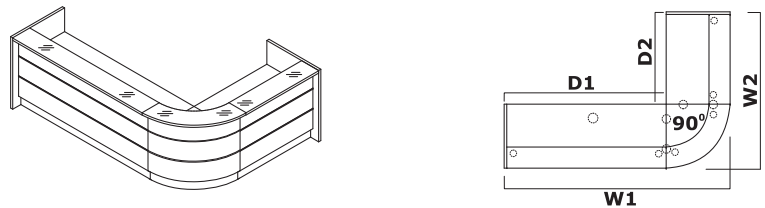
| Symbol         |  | Abmessungen |      |      |      |      | kg m3 pcs                      | Bestandteile                          |
|----------------|--|-------------|------|------|------|------|--------------------------------|---------------------------------------|
|                |  | W1          | W2   | D1   | D2   | H    |                                |                                       |
| <b>LAV131L</b> |  | 2245        | 2245 | 1328 | 1328 | 1105 | 206.7 kg<br>1.036 m3<br>16 pcs | LAN2L+LA13L+LAV70L+LA13L+LAN1P+2xNL41 |
| <b>LAV132L</b> |  | 2245        | 2545 | 1328 | 1628 | 1105 | 220.1 kg<br>1.083 m3<br>16 pcs | LAN2L+LA16L+LAV70L+LA13L+LAN1P+2xNL41 |
| <b>LAV133L</b> |  | 2245        | 3245 | 1328 | 2318 | 1105 | 246.6 kg<br>1.208 m3<br>17 pcs | LAN2L+LA23L+LAV70L+LA13L+LAN1P+2xNL41 |

| Aufpreis          |                  |  |  |  |  |  |
|-------------------|------------------|--|--|--|--|--|
| Monitorboden x 1p | Monitorboden x 2 |  |  |  |  |  |
| X                 | X                |  |  |  |  |  |
| X                 | X                |  |  |  |  |  |
| X                 | X                |  |  |  |  |  |

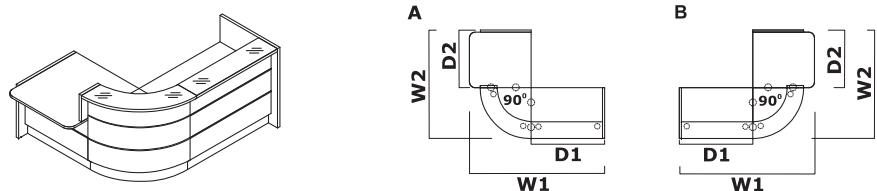
| Symbol         |  | Abmessungen |      |      |      |      | kg m3 pcs                      | Bestandteile                          |
|----------------|--|-------------|------|------|------|------|--------------------------------|---------------------------------------|
|                |  | W1          | W2   | D1   | D2   | H    |                                |                                       |
| <b>LAV134L</b> |  | 2545        | 2245 | 1628 | 1328 | 1105 | 220.1 kg<br>1.083 m3<br>16 pcs | LAN2L+LA13L+LAV70L+LA16L+LAN1P+2xNL41 |
| <b>LAV135L</b> |  | 2545        | 2545 | 1628 | 1628 | 1105 | 233.5 kg<br>1.13 m3<br>16 pcs  | LAN2L+LA16L+LAV70L+LA16L+LAN1P+2xNL41 |
| <b>LAV136L</b> |  | 2545        | 3245 | 1628 | 2318 | 1105 | 260 kg<br>1.255 m3<br>17 pcs   | LAN2L+LA23L+LAV70L+LA16L+LAN1P+2xNL41 |

| Aufpreis          |                  |  |  |  |  |  |
|-------------------|------------------|--|--|--|--|--|
| Monitorboden x 1p | Monitorboden x 2 |  |  |  |  |  |
| X                 | X                |  |  |  |  |  |
| X                 | X                |  |  |  |  |  |
| X                 | X                |  |  |  |  |  |



| Symbol         |  | Abmessungen |      |      |      |      | kg m3 pcs                      | Bestandteile                          |
|----------------|--|-------------|------|------|------|------|--------------------------------|---------------------------------------|
|                |  | W1          | W2   | D1   | D2   | H    |                                |                                       |
| <b>LAV137L</b> |  | 3245        | 2245 | 2318 | 1328 | 1105 | 246.6 kg<br>1.208 m3<br>17 pcs | LAN2L+LA13L+LAV70L+LA23L+LAN1P+2xNL41 |
| <b>LAV138L</b> |  | 3245        | 2545 | 2318 | 1628 | 1105 | 260 kg<br>1.255 m3<br>17 pcs   | LAN2L+LA16L+LAV70L+LA23L+LAN1P+2xNL41 |
| <b>LAV139L</b> |  | 3245        | 3245 | 2318 | 2318 | 1105 | 286.5 kg<br>1.379 m3<br>18 pcs | LAN2L+LA23L+LAV70L+LA23L+LAN1P+2xNL41 |

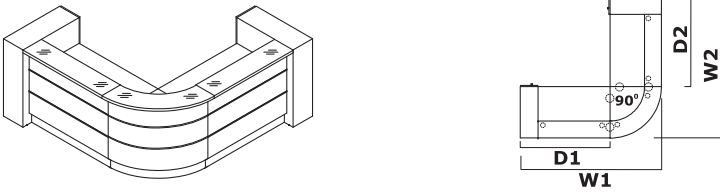
| Aufpreis          |                  |  |  |  |  |  |
|-------------------|------------------|--|--|--|--|--|
| Monitorboden x 1p | Monitorboden x 2 |  |  |  |  |  |
| X                 | X                |  |  |  |  |  |
| X                 | X                |  |  |  |  |  |
| X                 | X                |  |  |  |  |  |



| Symbol          |                 |  | Abmessungen |      |      |      |      | kg m3 pcs                      | Bestandteile  |
|-----------------|-----------------|--|-------------|------|------|------|------|--------------------------------|---|
| A               | B               |  | W1          | W2   | D1   | D2   | H    |                                |   |
| <b>LAV140L</b>  | <b>LAV141L</b>  |  | 2442        | 1955 | 1328 | 1038 | 1105 | 184.4 kg<br>0.933 m3<br>17 pcs | A - LAN2L+LA13L+LAV70L+LAN3P+LAU11L+LAN5P+2xNL41<br>B - LAN6L+LAU11L+LAN4L+LAV70L +LA13L+LAN1P+2xNL41 |
| <b>LAV142L</b>  | <b>LAV143L</b>  |  | 2742        | 1955 | 1628 | 1038 | 1105 | 197.8 kg<br>0.98 m3<br>17 pcs  | A - LAN2L+LA16L+LAV70L+LAN3P+LAU11L+LAN5P+2xNL41<br>B - LAN6L+LAU11L+LAN4L+LAV70L +LA16L+LAN1P+2xNL41 |
| <b>LAV1401L</b> | <b>LAV1411L</b> |  | 2442        | 1755 | 1328 | 838  | 1105 | 180.4 kg<br>0.91 m3<br>17 pcs  | A - LAN2L+LA13L+LAV70L+LAN3P+LAU18L+LAN5P+2xNL41<br>B - LAN6L+LAU18L+LAN4L+LAV70L+LA13L+LAN1P+2xNL41  |
| <b>LAV1421L</b> | <b>LAV1431L</b> |  | 2742        | 1755 | 1628 | 838  | 1105 | 193.8 kg<br>0.957 m3<br>17 pcs | A - LAN2L+LA16L+LAV70L+LAN3P+LAU18L+LAN5P+2xNL41<br>B - LAN6L+LAU18L+LAN4L+LAV70L+LA16L+LAN1P+2xNL41  |

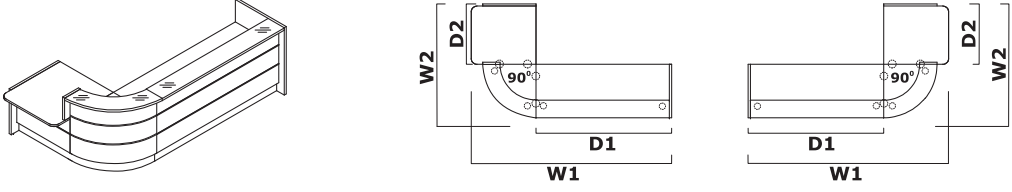
| Aufpreis          |  |  |  |  |  |  |
|-------------------|--|--|--|--|--|--|
| Monitorboden x 1p |  |  |  |  |  |  |
| X                 |  |  |  |  |  |  |
| X                 |  |  |  |  |  |  |
| X                 |  |  |  |  |  |  |
| X                 |  |  |  |  |  |  |





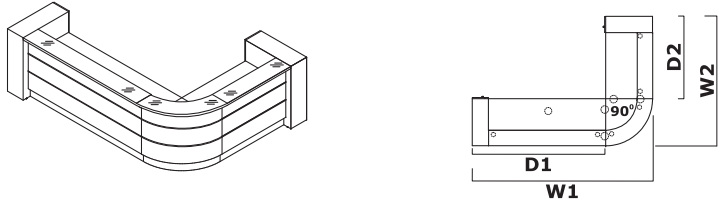
| Symbol         |  | Abmessungen |      |      |      |      | kg m3 pcs                      | Bestandteile                                      |
|----------------|--|-------------|------|------|------|------|--------------------------------|---|
|                |  | W1          | W2   | D1   | D2   | H    |                                |   |
| <b>LAV146L</b> |  | 2525        | 2525 | 1608 | 1608 | 1105 | 263.7 kg<br>1.684 m3<br>18 pcs | LAD10+LAL10+LA13L+LAV70L+LA13L+LAP10+LAD10+2xNL41 |
| <b>LAV147L</b> |  | 2525        | 2825 | 1608 | 1908 | 1105 | 277.1 kg<br>1.731 m3<br>18 pcs | LAD10+LAL10+LA16L+LAV70L+LA13L+LAP10+LAD10+2xNL41 |
| <b>LAV148L</b> |  | 2525        | 3525 | 1608 | 2608 | 1105 | 303.6 kg<br>1.855 m3<br>19 pcs | LAD10+LAL10+LA23L+LAV70L+LA13L+LAP10+LAD10+2xNL41 |
| <b>LAV149L</b> |  | 2825        | 2525 | 1908 | 1608 | 1105 | 277.1 kg<br>1.731 m3<br>18 pcs | LAD10+LAL10+LA13L+LAV70L+LA16L+LAP10+LAD10+2xNL41 |
| <b>LAV150L</b> |  | 2825        | 2825 | 1908 | 1908 | 1105 | 290.5 kg<br>1.778 m3<br>18 pcs | LAD10+LAL10+LA16L+LAV70L+LA16L+LAP10+LAD10+2xNL41 |
| <b>LAV151L</b> |  | 2825        | 3525 | 1908 | 2608 | 1105 | 317 kg<br>1.902 m3<br>19 pcs   | LAD10+LAL10+LA23L+LAV70L+LA16L+LAP10+LAD10+2xNL41 |

| Aufpreis          |                  |  |  |  |  |
|-------------------|------------------|--|--|--|--|
| Monitorboden x 1p | Monitorboden x 2 |  |  |  |  |
| X                 | X                |  |  |  |  |
| X                 | X                |  |  |  |  |
| X                 | X                |  |  |  |  |
| X                 | X                |  |  |  |  |
| X                 | X                |  |  |  |  |
| X                 | X                |  |  |  |  |



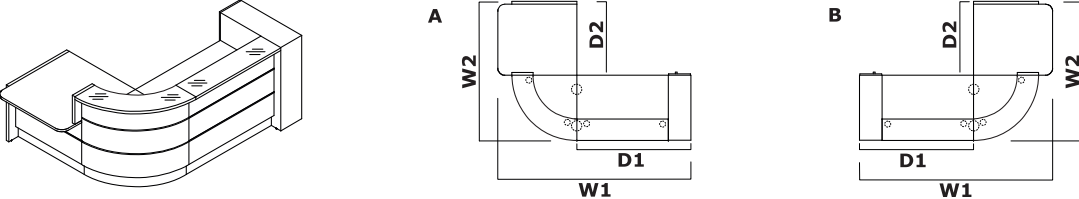
| Symbol          |                 |  | Abmessungen |      |      |      |      | kg m3 pcs                      | Bestandteile  |
|-----------------|-----------------|--|-------------|------|------|------|------|--------------------------------|---|
| A               | B               |  | W1          | W2   | D1   | D2   | H    |                                |   |
| <b>LAV144L</b>  | <b>LAV145L</b>  |  | 3442        | 1955 | 2318 | 1038 | 1105 | 224.3 kg<br>1.104 m3<br>18 pcs | A - LAN2L+LA23L+LAV70L+LAN3P+LAU11L+LAN5P+2xNL41<br>B - LAN6L+LAU11L+LAN4L+LAV70L +LA23L+LAN1P+2xNL41 |
| <b>LAV1441L</b> | <b>LAV1451L</b> |  | 3442        | 1755 | 2318 | 838  | 1105 | 220.3 kg<br>1.081 m3<br>18 pcs | A - LAN2L+LA23L+LAV70L+LAN3P+LAU18L+LAN5P+2xNL41<br>B - LAN6L+LAU18L+LAN4L+LAV70L+LA23L+LAN1P+2xNL41  |

| Aufpreis          |  |  |  |  |  |
|-------------------|--|--|--|--|--|
| Monitorboden x 1p |  |  |  |  |  |
| X                 |  |  |  |  |  |
| X                 |  |  |  |  |  |



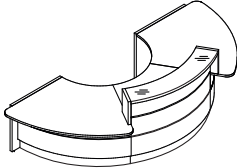
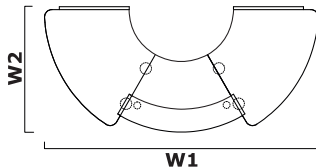
| Symbol  |  | Abmessungen |      |      |      |      | kg m3 pcs                      | Bestandteile                                      |
|---------|--|-------------|------|------|------|------|--------------------------------|---|
|         |  | W1          | W2   | D1   | D2   | H    |                                |   |
| LAV152L |  | 3525        | 2525 | 2608 | 1608 | 1105 | 303.6 kg<br>1.855 m3<br>19 pcs | LAD10+LAL10+LA13L+LAV70L+LA23L+LAP10+LAD10+2xNL41 |
| LAV153L |  | 3525        | 2825 | 2608 | 1908 | 1105 | 317 kg<br>1.902 m3<br>19 pcs   | LAD10+LAL10+LA16L+LAV70L+LA23L+LAP10+LAD10+2xNL41 |
| LAV154L |  | 3525        | 3525 | 2608 | 2608 | 1105 | 343.5 kg<br>2.027 m3<br>20 pcs | LAD10+LAL10+LA23L+LAV70L+LA23L+LAP10+LAD10+2xNL41 |

| Aufpreis          |                  |  |  |  |  |  |
|-------------------|------------------|--|--|--|--|--|
| Monitorboden x 1p | Monitorboden x 2 |  |  |  |  |  |
| X                 | X                |  |  |  |  |  |
| X                 | X                |  |  |  |  |  |
| X                 | X                |  |  |  |  |  |

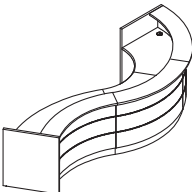
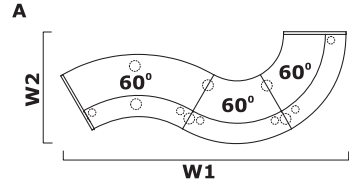
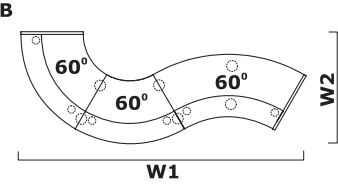


| Symbol   |          |  | Abmessungen |      |      |      |      | kg m3 pcs                      | Bestandteile  |
|----------|----------|--|-------------|------|------|------|------|--------------------------------|---|
| A        | B        |  | W1          | W2   | D1   | D2   | H    |                                |   |
| LAV155L  | LAV156L  |  | 2722        | 1955 | 1608 | 1038 | 1105 | 209.9 kg<br>1.251 m3<br>17 pcs | A - LAD10+LAL10+LA13L+LAV70L+LAN3P+LAU11L+LAN5P+2xNL41<br>B - LAN6L+LAU11L+LAN4L+LAV70L +LA13L+LAP10+LAD10+2xNL41 |
| LAV157L  | LAV158L  |  | 3022        | 1955 | 1908 | 1038 | 1105 | 223.3 kg<br>1.299 m3<br>17 pcs | A - LAD10+LAL10+LA16L+LAV70L+LAN3P+LAU11L+LAN5P+2xNL41<br>B - LAN6L+LAU11L+LAN4L+LAV70L +LA16L+LAP10+LAD10+2xNL41 |
| LAV159L  | LAV160L  |  | 3722        | 1955 | 2608 | 1038 | 1105 | 249.8 kg<br>1.423 m3<br>18 pcs | A - LAD10+LAL10+LA23L+LAV70L+LAN3P+LAU11L+LAN5P+2xNL41<br>B - LAN6L+LAU11L+LAN4L+LAV70L +LA23L+LAP10+LAD10+2xNL41 |
| LAV1551L | LAV1561L |  | 2722        | 1755 | 1608 | 838  | 1105 | 205.9 kg<br>1.228 m3<br>17 pcs | A - LAD10+LAL10+LA13L+LAV70L+LAN3P+LAU18L+LAN5P+2xNL41<br>B - LAN6L+LAU18L+LAN4L+LAV70L+LA13L+LAP10+LAD10+2xNL41  |
| LAV1571L | LAV1581L |  | 3022        | 1755 | 1908 | 838  | 1105 | 219.3 kg<br>1.275 m3<br>17 pcs | A - LAD10+LAL10+LA16L+LAV70L+LAN3P+LAU18L+LAN5P+2xNL41<br>B - LAN6L+LAU18L+LAN4L+LAV70L+LA16L+LAP10+LAD10+2xNL41  |
| LAV1591L | LAV1601L |  | 3722        | 1755 | 2608 | 838  | 1105 | 245.8 kg<br>1.4 m3<br>18 pcs   | A - LAD10+LAL10+LA23L+LAV70L+LAN3P+LAU18L+LAN5P+2xNL41<br>B - LAN6L+LAU18L+LAN4L+LAV70L+LA23L+LAP10+LAD10+2xNL41  |

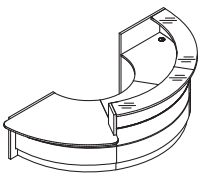
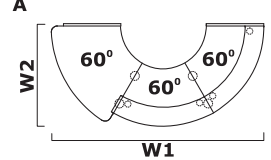
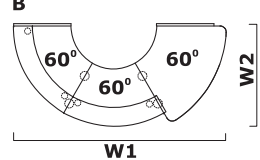
| Aufpreis          |  |  |  |  |  |  |
|-------------------|--|--|--|--|--|--|
| Monitorboden x 1p |  |  |  |  |  |  |
| X                 |  |  |  |  |  |  |
| X                 |  |  |  |  |  |  |
| X                 |  |  |  |  |  |  |
| X                 |  |  |  |  |  |  |
| X                 |  |  |  |  |  |  |

|  |  |  |      |    |    |      |                                |  |
|--|--|---|------|----|----|------|--------------------------------|--|
| Symbol   |  | Abmessungen   |      |    |    |      | kg m3 pcs                      | Bestandteile                                   |
|  |  | W1  | W2   | D1 | D2 | H    |                                |  |
| <b>LAV05L</b>  |  | 3589  | 1629 |    |    | 1105 | 224.1 kg<br>1.781 m3<br>17 pcs | LAN6L+2xLAV66L+LAN4L+LAV64L+LAN3P+LAN5P+2xNL41 |

| Aufpreis          |  |  |  |  |  |  |
|-------------------|--|--|--|--|--|--|
| Monitorboden x 1p |  |  |  |  |  |  |
| X                 |  |  |  |  |  |  |

|  |               |  |      |    |    |      |  |  |  |  |
|---|---------------|---|------|----|----|------|--|--|--|--|
| Symbol  |               | Abmessungen   |      |    |    |      | kg m3 pcs  | Bestandteile   |  |  |
| A   | B             | W1  | W2   | D1 | D2 | H    |  |  |  |  |
| <b>LAV06L</b>   | <b>LAV07L</b> | 4199  | 1629 |    |    | 1105 | 269.5 kg<br>2.345 m3<br>20 pcs   | A - LAN2L+2xLAV64L+LAV62L+LAN1P+2xNL41<br>B - LAN2L+LAV62L+2xLAV64L+LAN1P+2xNL41 |  |  |

| Aufpreis          |                  |                  |  |  |  |  |
|-------------------|------------------|------------------|--|--|--|--|
| Monitorboden x 1p | Monitorboden x 2 | Monitorboden x 3 |  |  |  |  |
| X                 | X                | X                |  |  |  |  |

|  |               |  |      |    |    |      |  |  |  |  |
|--|---------------|--|------|----|----|------|---|--|--|--|
| Symbol   |               | Abmessungen  |      |    |    |      | kg m3 pcs   | Bestandteile   |  |  |
| A  | B             | W1   | W2   | D1 | D2 | H    |   |  |  |  |
| <b>LAV08L</b>  | <b>LAV09L</b> | 3367   | 1629 |    |    | 1105 | 235.3 kg<br>2.009 m3<br>16 pcs  | A - LAN2L+2xLAV64L+LAN3P+LAV66L+LAN5P+2xNL41<br>B - LAN6L+LAV66L+LAN4L+2xLAV64L+LAN1P+2xNL41 |  |  |

| Aufpreis          |                  |  |  |  |  |  |
|-------------------|------------------|--|--|--|--|--|
| Monitorboden x 1P | Monitorboden x 2 |  |  |  |  |  |
| X                 | X                |  |  |  |  |  |

| Symbol  |         | Abmessungen |      |    |    |      | kg    | m <sup>3</sup> | pcs | Bestandteile   |
|---------|---------|-------------|------|----|----|------|-------|----------------|-----|--|
| A       | B       | W1          | W2   | D1 | D2 | H    |       |                |     |  |
| LAV161L | LAV162L | 2320        | 1114 |    |    | 1105 | 138.8 | 0.95           | 11  | A - LAN2L+LAV63L+LAN3P+LAV65L +LAN5P+NL41<br>B - LAN6L+LAV65L+LAN4L+LAV63L +LAN1P+NL41 |

| Aufpreis |  |  |  |  |  |  |
|----------|--|--|--|--|--|--|
|          |  |  |  |  |  |  |
|          |  |  |  |  |  |  |

| Symbol   |          | Abmessungen |      |    |    |      | kg    | m <sup>3</sup> | pcs | Bestandteile  |
|----------|----------|-------------|------|----|----|------|-------|----------------|-----|---|
| A        | B        | W1          | W2   | D1 | D2 | H    |       |                |     |   |
| LAV163L  | LAV164L  | 4080        | 3540 |    |    | 1105 | 325.3 | 2.675          | 27  | A - LAN6L+LAU11L+LAN4L+3xLAV63L+LAV62L+LAN1P+4xNL41<br>B - LAN2L+LAV62L+3xLAV63L+LAN3P+LAU11L+LAN5P+4xNL41  |
| LAV1631L | LAV1641L | 4080        | 3540 |    |    | 1105 | 321.3 | 2.651          | 27  | A - LAN6L+LAU18L+LAN4L +3xLAV63L+LAV62L+LAN1P+4xNL41<br>B - LAN2L+LAV62L+3xLAV63L+LAN3P+LAU18L+LAN5P+4xNL41 |

| Aufpreis |  |  |  |  |  |  |
|----------|--|--|--|--|--|--|
|          |  |  |  |  |  |  |
|          |  |  |  |  |  |  |
|          |  |  |  |  |  |  |
|          |  |  |  |  |  |  |

| Symbol  |  | Abmessungen |      |    |    |      | kg    | m <sup>3</sup> | pcs | Bestandteile  |
|---------|--|-------------|------|----|----|------|-------|----------------|-----|---|
|         |  | W1          | W2   | D1 | D2 | H    |       |                |     |   |
| LAV165L |  | 2790        | 3946 |    |    | 1105 | 297.1 | 2.069          | 25  | LAN2L+LAV62L+LAN3P+LAV65L +LAN4L+LAV63L+LA09L+LAN1P +3xNL41 |

| Aufpreis |  |  |  |  |  |  |
|----------|--|--|--|--|--|--|
|          |  |  |  |  |  |  |
|          |  |  |  |  |  |  |
|          |  |  |  |  |  |  |













