

Ergonomic Master technical specification



.mdd

MDD has a leading position among manufacturers of office furniture with many awards that prove quality and continuously increase demand for it's products.

The realities of today`s market require constant quality improvement at all levels of modern organization. This applies in particular to customer service, marketing, quality of products and also to quality of processes within the company.

Partnership relations among employees and with business partners form a base of economic growth and success of the company.

Constant investments in innovative machinery park, optimization of management systems and an expansion of production halls allow to minimize the lead times for the product of the highest quality.

More than twenty years of experience in office furniture industry come with reference from a long list of companies and institutions to show their appreciation for an efficient and comprehensive service.

MDD is highly aware of the environment.

Being located in the forest region with lake by its side, MDD takes the nature seriously and invests constantly in a modern and energy-efficient solutions to preserve the local life. Company puts emphasis on waste segregation and recycling. MDD has been awarded for the exceptional care and involvement in waste disposal. All materials used are environmentally friendly and enjoy a high 95 % rate of being recycled.



General informations:

Warranty:

MDD products – **5 years.**

Electrical components and fabric – **2 years.**

Certificate - MFC:



Assembly:

product delivered in separate elements

Packing:

cardboard

Compliant with standards:

PN-EN 527-2:2017-02

Boards density:

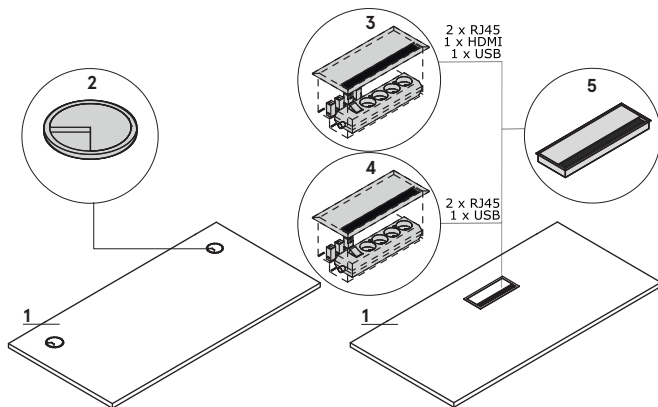
12 mm - 690 - 750 kg/m³

18 mm - 650 - 690 kg/m³

28 mm - 610 - 630 kg/m³

36 mm - 610 - 630 kg/m³

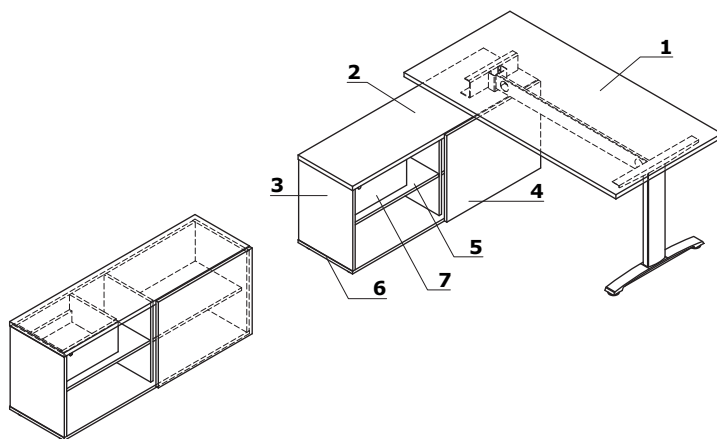
Worktop



1. **Worktop** - MFC 28 mm, ABS edge
- OPTIONS WITH EXTRA CHARGE:**
2. **Grommet** - 2 pcs, Ø 80 mm
3. **Mediabox M04H** - 2xRJ45 (class E, cat. 6); +1 x USB + 1 x HDMI + 4x 230V, colour: M009 - aluminium semi-matt
4. **Mediabox M04** - 2xRJ45 (class E, cat. 6); +1 x USB + 4x 230V, colour: M009 - aluminium semi-matt
5. **Top access M05** - colour: M009 - aluminium semi-matt

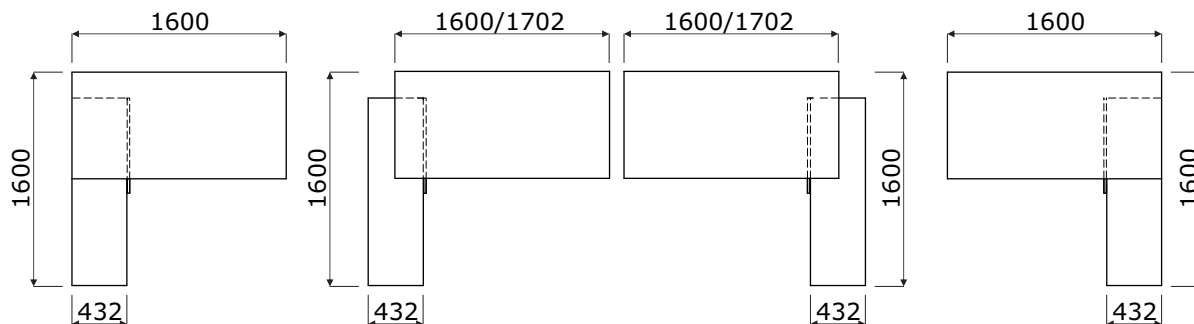
Desk with managerial storage

www.mdd.eu



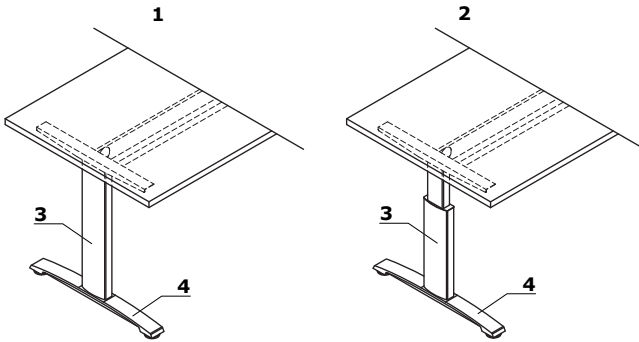
1. **Worktop** - MFC 28 mm, ABS edge
2. **Top** - MFC 28 mm, ABS edge
3. **Side panels** - MFC 18 mm, ABS edge
4. **Sliding front** - MFC 18 mm, ABS edge
5. **Shelf** - MFC 18 mm, protection against accidental falling-out, ABS edge
6. **Base** - MFC 18 mm, ABS edge
7. **Drawer** - MFC 18 mm, ABS edge, patent lock - possible to change location

Configuration examples (mm)



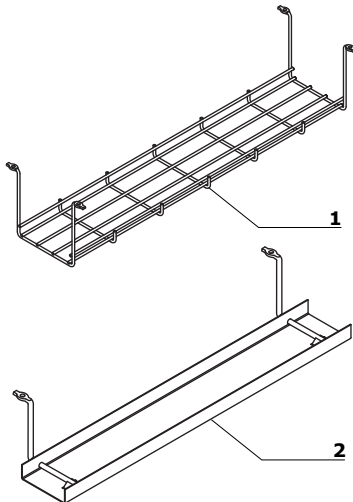
Frame

- 1. **Frame without height adjustment** - height 740 mm
- 2. **Frame with manual height adjustment** - in the range of 620-820 mm, every 20 mm
- 3. **Column** - vertical cable management, powder coated
- 4. **Foot** - powder coated; OPTION WITH EXTRA CHARGE - polished aluminum

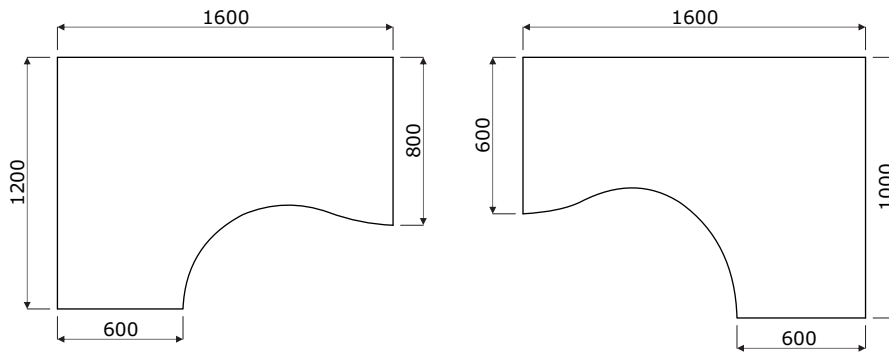


Accessories

- 1. **Horizontal cable tray S69** - powder coated, colour: 09 - aluminum
- 2. **Horizontal cable tray E64** - powder coated, colour: M009 - aluminium semi-matt



Dimensions of radial worktops (mm)



Desks *



BR01
800 / 800 / 740
25.0 kg



BR02
1200 / 800 / 740
32.9 kg



BR03
1400 / 800 / 740
36.9 kg



BR04
1600 / 800 / 740
39.8 kg



BR05
1800 / 800 / 740
44.6 kg



BR61
800 / 600 / 740
23.5 kg



BR63
1200 / 600 / 740
29.4 kg



BR64
1400 / 600 / 740
30.4kg



BR65
1600 / 600 / 740
32.5 kg

* dimensions expressed in millimeters: width x depth x height

Ergonomic Master	Date of preparation 26.11.2019	The data contained in this document is valid in the day of its preparation. Change of the product, as long as it does not affect the basic features of it, does not require consistent updates of the document.	page 6/9
			products

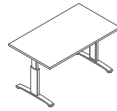
Desks with manual height adjustment *



BR01R
800 / 800 / 740
26.6 kg



BR02R
1200 / 800 / 740
32.9 kg



BR03R
1400 / 800 / 740
36.9 kg



BR04R
1600 / 800 / 740
39.8 kg



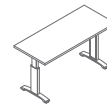
BR05R
1800 / 800 / 740
44.6 kg



BR61R
800 / 600 / 740
23.5 kg



BR63R
1200 / 600 / 740
29.4 kg



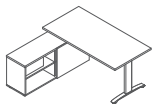
BR64R
1400 / 600 / 740
30.4kg



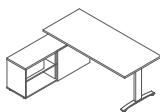
BR65R
1600 / 600 / 740
32.5 kg

www.mdd.eu

Desks with managerial storage *



BRL16
1600-1702 / 1600 / 740
98.0 kg

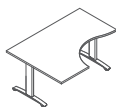


BRL18
1800-1902 / 1600 / 740
101.5 kg

* dimensions expressed in millimeters: width x depth x height

Ergonomic Master	Date of preparation 26.11.2019	The data contained in this document is valid in the day of its preparation. Change of the product, as long as it does not affect the basic features of it, does not require consistent updates of the document.	page 7/9
			products

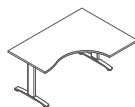
Radial desks *



BR10
1600 / 1200 / 740
43.8 kg



BR66
1600 / 1000 / 740
39.8 kg



BR11
1600 / 1200 / 740
43.8 kg

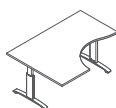


BR67
1600 / 1000 / 740
37.6 kg

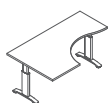


BR19
1700 / 888 / 740
39.8 kg

Radial desks with manual height adjustment *



BR10R
1600 / 1200 / 740
43.8 kg



BR66R
1600 / 1000 / 740
39.8 kg



BR11R
1600 / 1200 / 740
43.8 kg



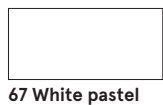
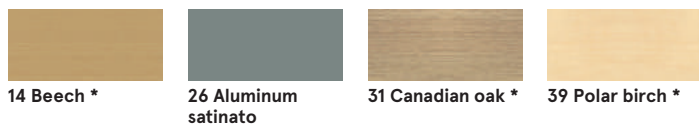
BR67R
1600 / 1000 / 740
37.6 kg



BR19R
1700 / 888 / 740
39.8 kg

* dimensions expressed in millimeters: width x depth x height

Worktop, top, base, body, front



Grommet



Aluminum



White



Black

Frame - metal



Foot



* body - II group
 ** OPTIONS WITH EXTRA CHARGE - foot