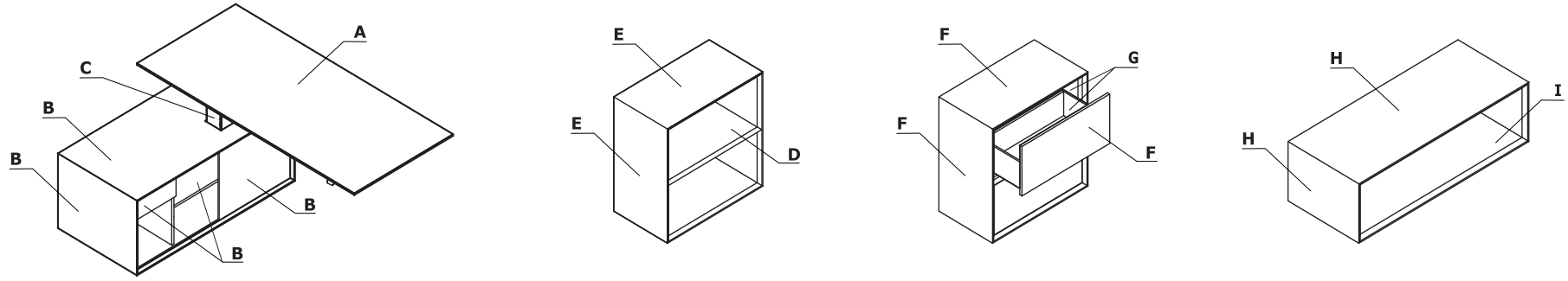


Colour combination - Gravity

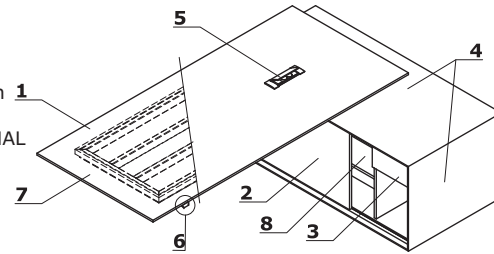


Material	Colour	Desk, multimedia stand, conference table			Shelving unit		Storage unit		Table						
		A - Top	B - Body	C - Frame	D - Body inside	E - Body outside	F - Body outside, front	G - Inside	I - Body outside	J - Body inside					
MFC	156 - elm	✓	White	M015 - white semi-matt RAL 9010	✓	White	✓	White	✓	White					
	157 - american walnut	✓	graphite	M154 - anthracite semi-matt RAL 7043	✓	graphite	✓	graphite	✓	graphite					
	158 - graphite	✓*	graphite	M154 - anthracite semi-matt RAL 7043	✓	graphite	✓	graphite	✓	graphite					

* ATTENTION! 158 - graphite - worktop surface covered with FENIX laminate

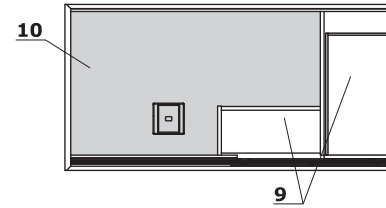
Desks

- 1 Worktop** - 78mm thick, veneer/HPL, max. load 70 kg
- 2 Sliding front** - MDF, varnished 18 mm
- 3 Drawer** - 100% extraction, self-closing, dimensions: 290x500x280 mm
- 4 Body** - MDF lacquered 28 mm
- 5 Mediabox M06** - OPTION WITH ADDITIONAL CHARGE - 2X240V, colour: anodised aluminium
- 6 Control panel**
- 7 Electric height adjustable frame** - powder coated steel, column dimension 150x150 mm, frame profile 60x30 mm
- 8 Shelf** - MFC 18 mm, dimensions: 457x182x259mm



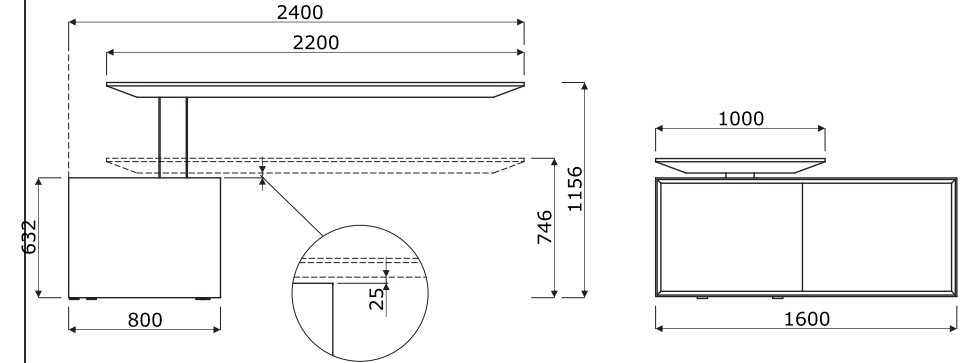
Inside the cabinet:

- 9 brak**
- 10 brak**



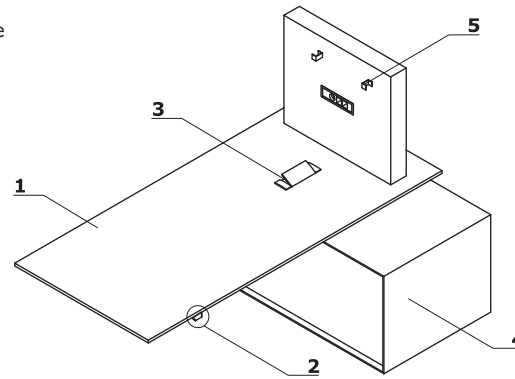
ATTENTION: Desk, table and multimedia stand require a hard and unbendable surface with acceptable point pressure of at least 300 kg/point in order to preserve stability.

Dimensions (mm)



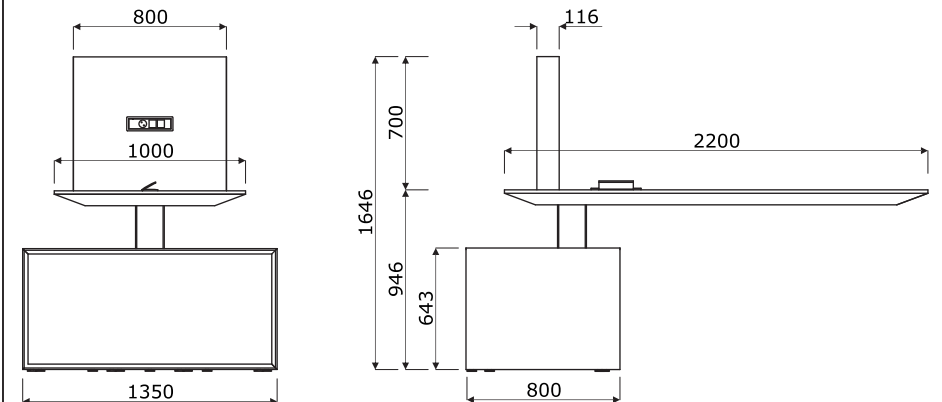
Multimedia stand with electric height adjustment

- 1 Worktop** - 78mm thick, veneer/HPL, max. load 70 kg
- 2 Control panel**
- 3 MEDIABOX** - 2X240V+1xHDMI, colour: anodised aluminium
- 4 Body** - MDF lacquered 28 mm
- 5 Monitor handle** - VESA fixing, possible monitor dimensions 32" - 47"



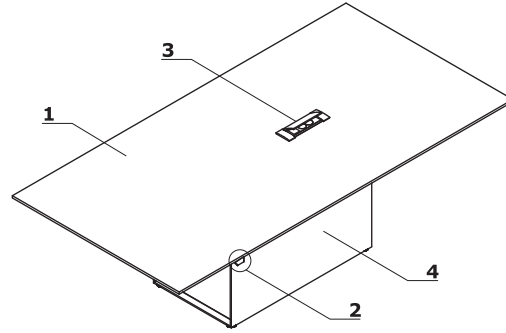
ATTENTION: Desk, table and multimedia stand require a hard and unbendable surface with acceptable point pressure of at least 300 kg/point in order to preserve stability.

Dimensions (mm)



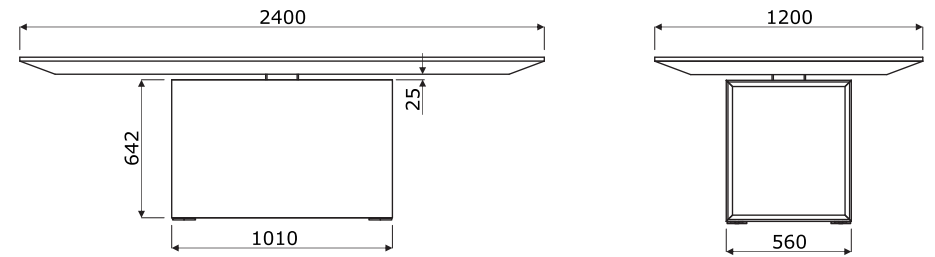
Conference tables with electric height adjustment

- 1 Worktop** - 78mm thick, veneer/HPL, max. load 70 kg
- 2 Control panel**
- 3 Mediabox M06** - OPTION WITH ADDITIONAL CHARGE - 2X240V, colour: anodised aluminium
- 4 Body** - MDF lacquered 28 mm



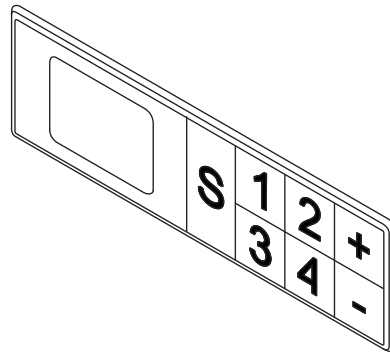
ATTENTION: Desk, table and multimedia stand require a hard and unbendable surface with acceptable point pressure of at least 300 kg/point in order to preserve stability.

Dimensions (mm)

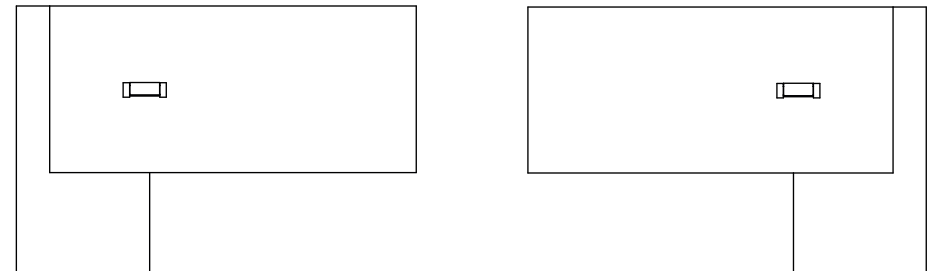


Control panel + drive

- 1 Frame technical specification**
 - **Height adjustment** - 40 mm/sec Super Soft Start - Stop
 - **Drive** - 2 synchronised motors with microprocessor, work control sensor
 - **ISP** - Intelligent System Protection
 - **Standards** - ISO 21016, EN 527-2, EN 527-3
 - **EU Directives** - 206/95EC, UI508 1999, UL 1004 R7 06, WE DC 2004/108WE
 - **Power supply** - 230V, 300W, power consumption on Standby - 0.3W

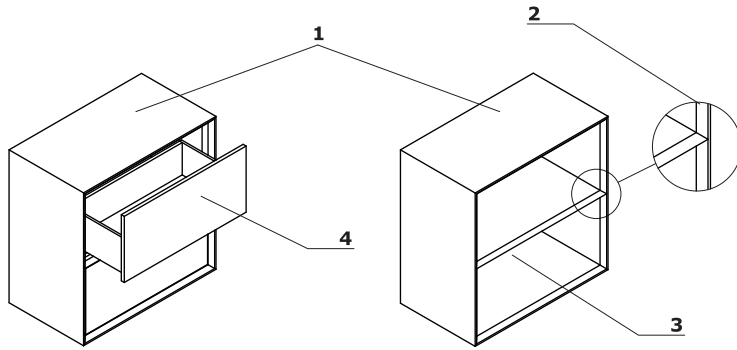


Mediabox location



Cabinet and regal

- 1 Finish** - MDF, varnished 38 mm
- 2 Milled Surface**
- 3 Inside the cabinet** - dimensions :
740x350x380 mm
- 4 Inside the drawer:**
 - dimensions: 686x185x350 mm
 - front - MDF, varnished 38 mm
 - interior - MFC 18 mm

**Coffee table**

- 1 Finish** - MDF, varnished 38 mm
- 2 Inside** - dimensions of cabinet
interior: 1142x292x462 mm

