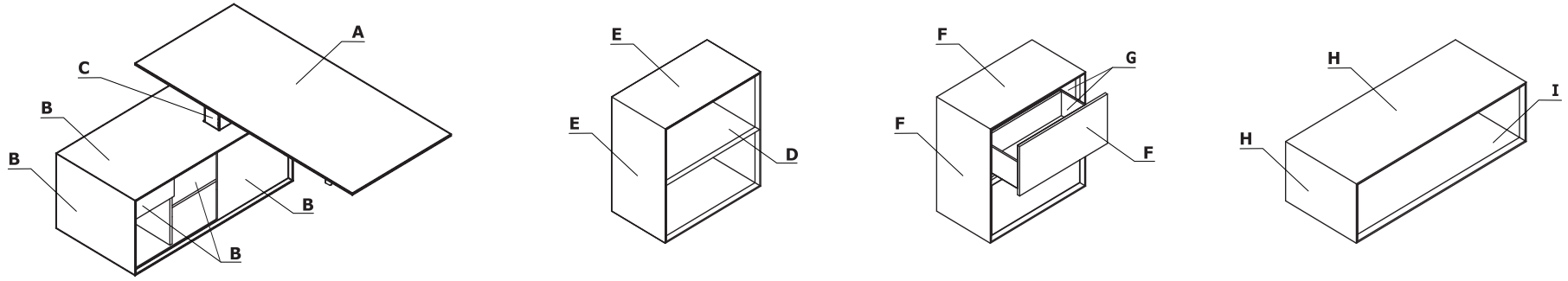


Colour combination - Gravity

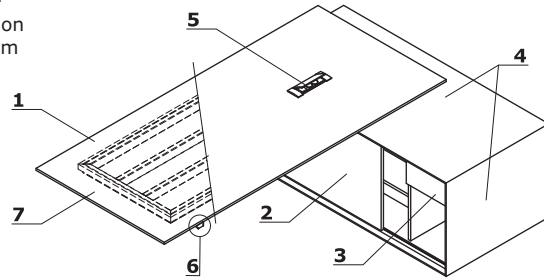


Material	Colour	Desk, multimedia stand, conference table			Shelving unit		Storage unit		Table						
		A - Top	B - Body	C - Frame	D - Body inside	E - Body outside	F - Body outside, front	G - Inside	I - Body outside	J - Body inside					
MFC	156 - elm	✓	White	M015 - white semi-matt	✓	White	✓	White	✓	White					
	157 - american walnut	✓	graphite	M154 - anthracite semi-matt	✓	graphite	✓	graphite	✓	graphite					
	158 - graphite	✓*	graphite	M154 - anthracite semi-matt	✓	graphite	✓	graphite	✓	graphite					

* ATTENTION! 158 - graphite - worktop surface covered with FENIX laminate

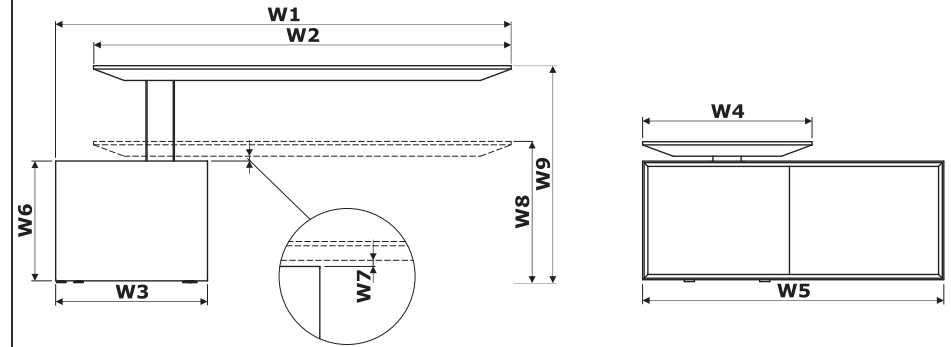
Desks

- 1 **Worktop** - veneer/HPL, max. load 70 kg
- 2 **Sliding front** - MDF, varnished 18 mm
- 3 **Drawer** - 100% extraction, self-closing, dimensions: 500x290x280 mm
- 4 **Body** - MDF lacquered 28 mm
- 5 **OPTION WITH ADDITIONAL CHARGE** - Mediabox M06 - 2X240V, colour: anodised aluminium
- 6 **Control panel**
- 7 **Electric height adjustable frame** - powder coated steel, column dimension 150x150 mm, frame profile 60x30 mm



ATTENTION: Desk, table and multimedia stand require a hard and unbendable surface with acceptable point pressure of at least 300 kg/point in order to preserve stability.

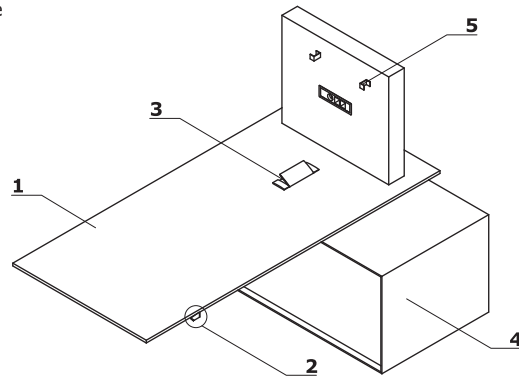
Dimensions



W1 - 2400 mm | W2 - 2200 mm | W3 - 800 mm | W4 - 1000 mm | W5 - 1600 mm |
W6 - 632 mm | W7 - 25 mm | W8 - 746 mm | W9 - 1156 mm |

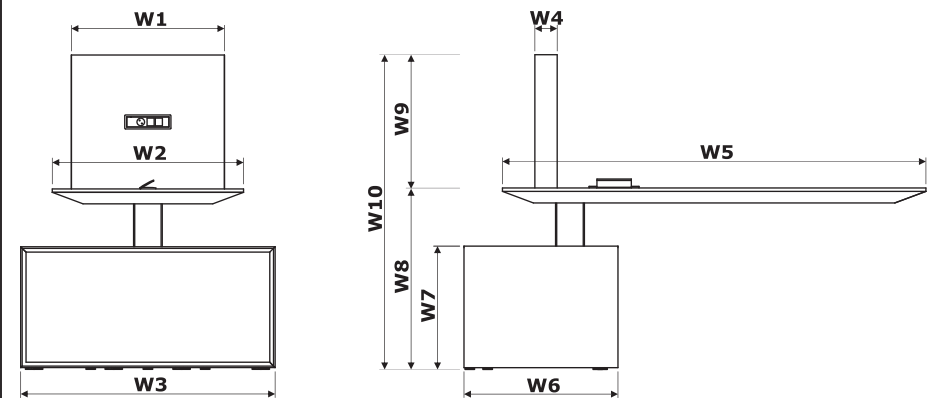
Multimedia stand with electric height adjustment

- 1 **Worktop** - veneer/HPL, max. load 70 kg
- 2 **Control panel**
- 3 **MEDIABOX** - 2X240V+1xHDMI, colour: anodised aluminium
- 4 **Body** - MDF lacquered 28 mm
- 5 **Monitor handle** - VESA fixing, possible monitor dimensions 32" - 47"



ATTENTION: Desk, table and multimedia stand require a hard and unbendable surface with acceptable point pressure of at least 300 kg/point in order to preserve stability.

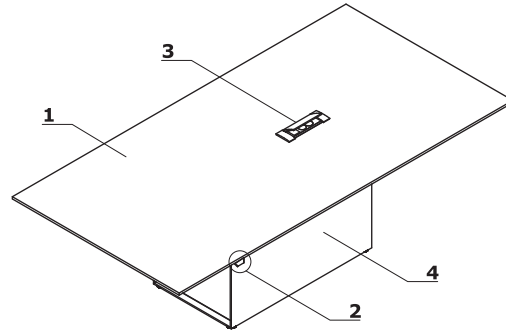
Dimensions



W1 - 800 mm | W2 - 1000 mm | W3 - 1350 mm | W4 - 116 mm | W5 - 2200 mm |
W6 - 800 mm | W7 - 643 mm | W8 - 946 mm | W9 - 700 | W10 - 1646 mm |

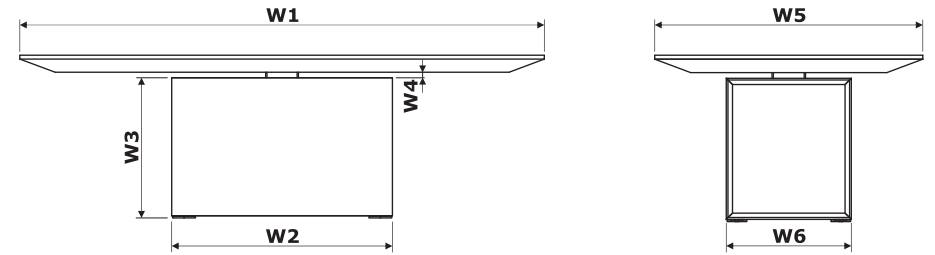
Conference tables with electric height adjustment

- 1 **Worktop** - veneer/HPL, max. load 70 kg
- 2 **Control panel**
- 3 **OPTION WITH ADDITIONAL CHARGE** - Mediabox M06 - 2X240V, colour: anodised aluminium
- 4 **Body** - MDF lacquered 28 mm



ATTENTION: Desk, table and multimedia stand require a hard and unbendable surface with acceptable point pressure of at least 300 kg/point in order to preserve stability.

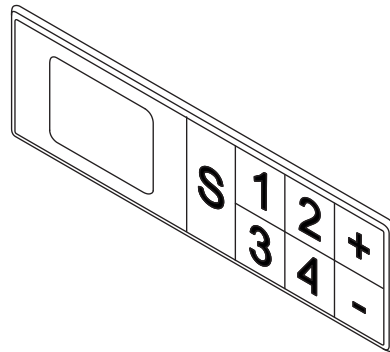
Dimensions



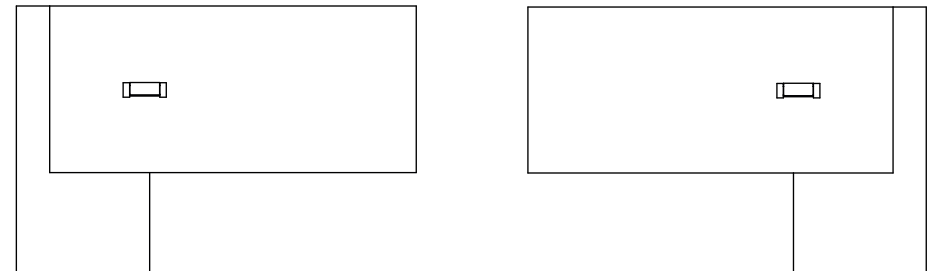
W1 - 2400 mm | W2 - 1010 mm | W3 - 642 mm | W4 - 25 mm | W5 - 1200 mm | W6 - 560 mm |

Control panel + drive

- 1 **Frame technical specification**
 - **Height adjustment** - 40 mm/sec Super Soft Start - Stop
 - **Drive** - 2 synchronised motors with microprocessor, work control sensor
 - **ISP** - Intelligent System Protection
 - **Standards** - ISO 21016, EN 527-2, EN 527-3
 - **EU Directives** - 206/95EC, UI508 1999, UL 1004 R7 06, WE DC 2004/108WE
 - **Power supply** - 230V, 300W, power consumption on Standby - 0.3W

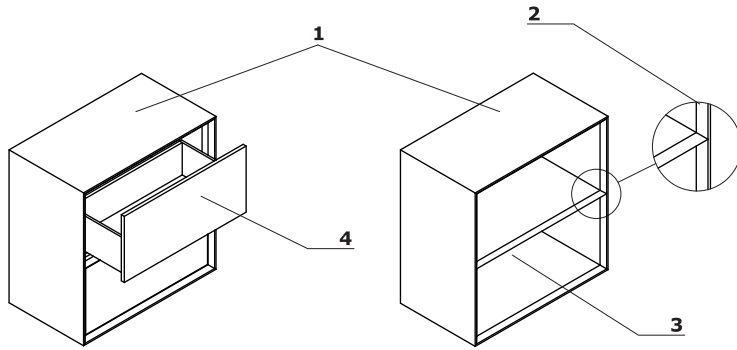


Mediabox location



Cabinet and regal

- 1 **Finish** - MDF, varnished 38 mm
- 2 **Milled Surface**
- 3 **Inside the cabinet** - dimensions :
740x350x380 mm
- 4 **Inside the drawer:**
 - dimensions: 686x185x350 mm
 - front - MDF, varnished 38 mm
 - interior - MFC 18 mm

**Coffee table**

- 1 **Finish** - MDF, varnished 38 mm
- 2 **Inside** - dimensions of cabinet
interior: 1142x292x462 mm

