

# Locker type storage technical specification



.mdd

**MDD has a leading position among manufacturers of office furniture with many awards that prove quality and continuously increase demand for it's products.**

The realities of today`s market require constant quality improvement at all levels of modern organization. This applies in particular to customer service, marketing, quality of products and also to quality of processes within the company.

Partnership relations among employees and with business partners form a base of economic growth and success of the company.

Constant investments in innovative machinery park, optimization of management systems and an expansion of production halls allow to minimize the lead times for the product of the highest quality.

**More than twenty years of experience in office furniture industry come with reference from a long list of companies and institutions to show their appreciation for an efficient and comprehensive service.**

**MDD is highly aware of the environment.**

Being located in the forest region with lake by it's side, MDD takes the nature seriously and invests constantly in a modern and energy-efficient solutions to preserve the local life. Company puts emphasis on waste segregation and recycling. MDD has been awarded for the exceptional care and involvement in waste disposal. All materials used are environmentally friendly and enjoy a high 95 % rate of being recycled.



**General informations:**

**Warranty:**

MDD products – **5 years.**

Electrical components and fabric – **2 years.**

**Certificate - MFC:**



**Compliant with standards:**

PN-EN 14073-2:2006

**Boards density:**

12 mm - 690 - 750 kg/m<sup>3</sup>

18 mm - 650 - 690 kg/m<sup>3</sup>

28 mm - 610 - 630 kg/m<sup>3</sup>

36 mm - 610 - 630 kg/m<sup>3</sup>

**Assembly:**

the product comes pre-assembled

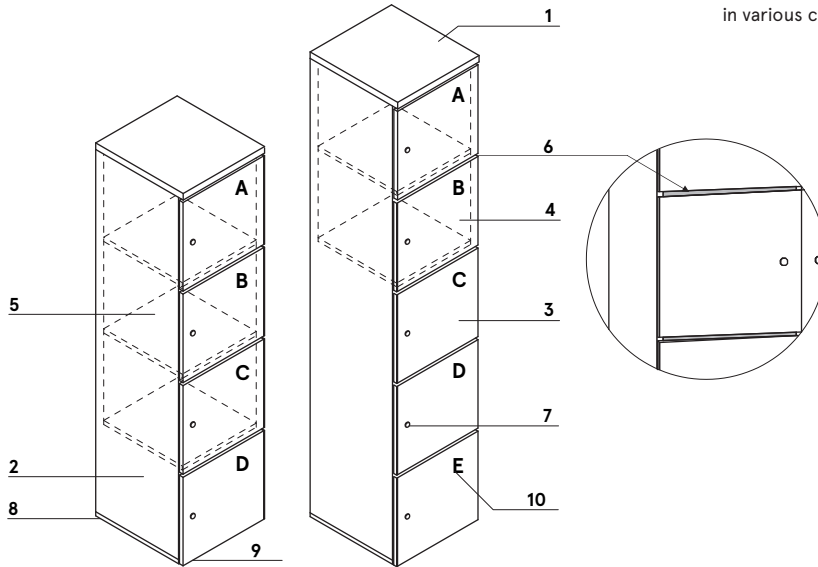
**Packing:**

cardboard

Locker	Date of preparation 02.12.2019	The data contained in this document is valid in the day of its preparation. Change of the product, as long as it does not affect the basic features of it, does not require consistent updates of the document.	page 2/6 <b>general informations</b>
--------	-----------------------------------	---	---

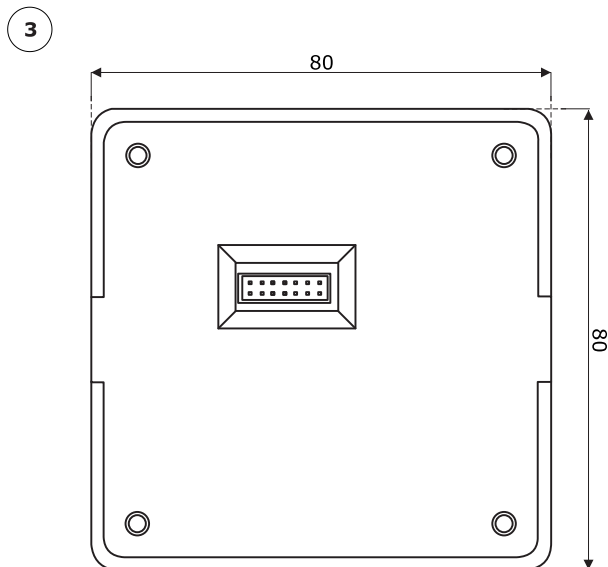
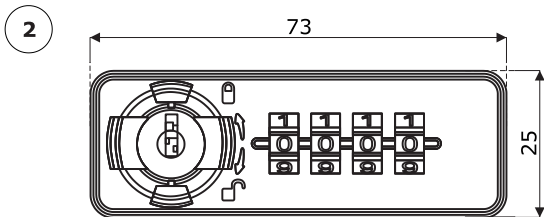
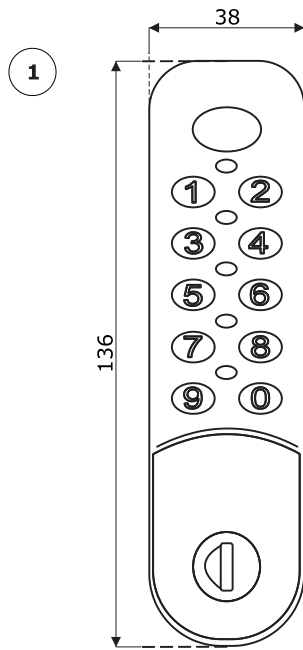
Locker type storage

- 1. Top - MFC 28 mm, ABS edge
- 2. Body - MFC 18 mm, ABS edge
- 3. Front - MFC 18 mm + HPL
- 4. Internal dimensions of one segment - 364x388x373 mm
- 5. Horizontal partition wall - 18 mm laminated board, edging of ABS
- 6. Opening for inserting sheets of paper - slot 17 mm
- 7. Patent lock - OPTION WITH ADDITIONAL CHARGE - code or digital lock
- 8. Base - MFC 18 mm, ABS edge
- 9. Leveling feet 27 mm - range 12 mm
- 10. Symbols - important when choosing a colour, possible to choose front in various colours



Locker	Date of preparation 02.12.2019	The data contained in this document is valid in the day of its preparation. Change of the product, as long as it does not affect the basic features of it, does not require consistent updates of the document.	page 3/6 technical description
--------	-----------------------------------	---	-----------------------------------

Locks for lockers (mm)



1. Standard Digital Combination Lock:

- high level of safety:
  - 4 digit user codes
  - 6 digit technical code meant for opening the cabinet without changing the code
  - 6 digit Sub-Master code meant for opening and deleting user code
  - 8 digit master code is used for setting the operating mode of the lock, resetting and deleting user code, setting Sub-Master code
- lock works in two modes (the possibility of ordering the lock of the selected mode):
  - public mode (office; school);
  - private mode (deposit; swimming pool; fitness clubs);
- ability to set an auto unlock after a specified period of time (only in private user mode);
- available versions designed especially for wet rooms (with additional seals); and a version for people with disabilities (adapted handle);
- lock comes complete with batteries and manual

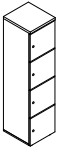
2. Code lock:

- code search function
- a straight bolt 32 mm

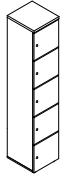
3. Card lock:

- provided as a set with two sheets and instruction manual
- work conditions: temperatures - 15°C to +65°C; humidity 10% to 90%
- closing / opening the cabinet requires putting a card next to it
- high level of security - by putting a wrong card five times, the lock gets blocked for 5 minutes
- the lock works in the varied user mode (deposit, swimming pool, fitness clubs)
- additional settings:
  - door open alarm and automatic unlock alarm when the time has expired
  - blockade of the possibility of opening two locks with one card
  - card validity period configuration - the card is automatically deactivated when the time has expired

Locker type storage \*



**LOK04**  
400 / 432 / 1610  
41.5 kg



**LOK05**  
400 / 432 / 2010  
49.5 kg

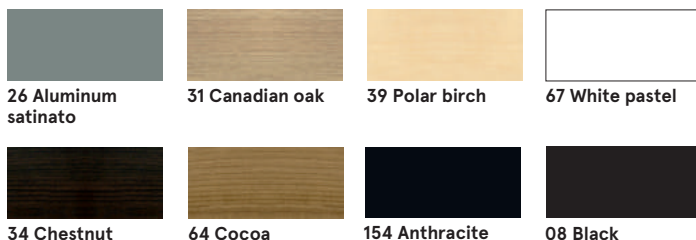


**MSR1**  
100 / 100 / 20  
0.3 kg

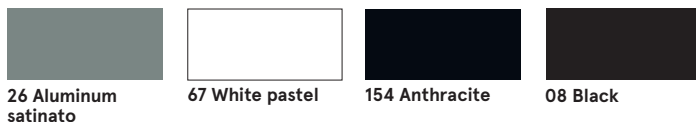
\* dimensions expressed in millimeters: width x depth x height

<b>Locker</b>	Date of preparation 02.12.2019	The data contained in this document is valid in the day of its preparation. Change of the product, as long as it does not affect the basic features of it, does not require consistent updates of the document.	page 5/6
			<b>products</b>

**Top, base**



**Body**



**Front**

