

Quando technical specification



.mdd

MDD has a leading position among manufacturers of office furniture with many awards that prove quality and continuously increase demand for its products.

The realities of today's market require constant quality improvement at all levels of modern organization. This applies in particular to customer service, marketing, quality of products and also to quality of processes within the company.

Partnership relations among employees and with business partners form a base of economic growth and success of the company.

Constant investments in innovative machinery park, optimization of management systems and an expansion of production halls allow to minimize the lead times for the product of the highest quality.

More than twenty years of experience in office furniture industry come with reference from a long list of companies and institutions to show their appreciation for an efficient and comprehensive service.

MDD is highly aware of the environment.

Being located in the forest region with lake by its side, MDD takes the nature seriously and invests constantly in a modern and energy-efficient solutions to preserve the local life. Company puts emphasis on waste segregation and recycling. MDD has been awarded for the exceptional care and involvement in waste disposal. All materials used are environmentally friendly and enjoy a high 95 % rate of being recycled.



General informations:

Warranty:

MDD products - **5 years.**

Electrical components and fabric - **2 years.**

Compliant with standards:

PN-EN 527-2:2017-02

PN-EN 14073-2:2006

Certificate - MFC:



Boards density:

12 mm - 690 - 750 kg/m³

18 mm - 650 - 690 kg/m³

28 mm - 610 - 630 kg/m³

36 mm - 610 - 630 kg/m³

Assembly:

product delivered in separate elements

Packing:

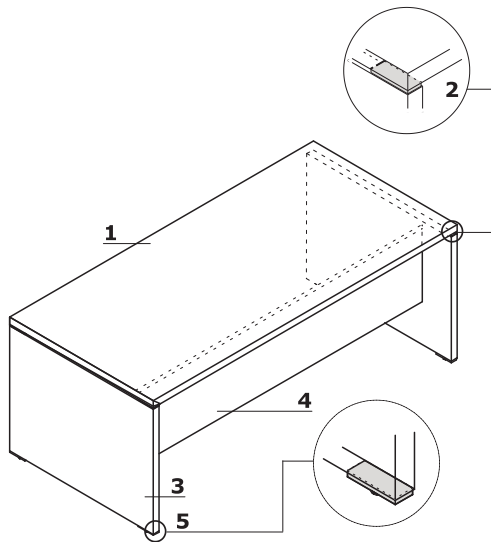
desks, cabinet, pedestals, storages:

cardboard;

meeting tables:

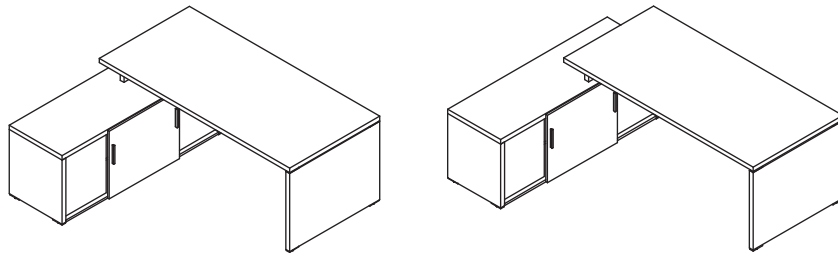
cardboard, perforated plastic mesh wrap

Desks



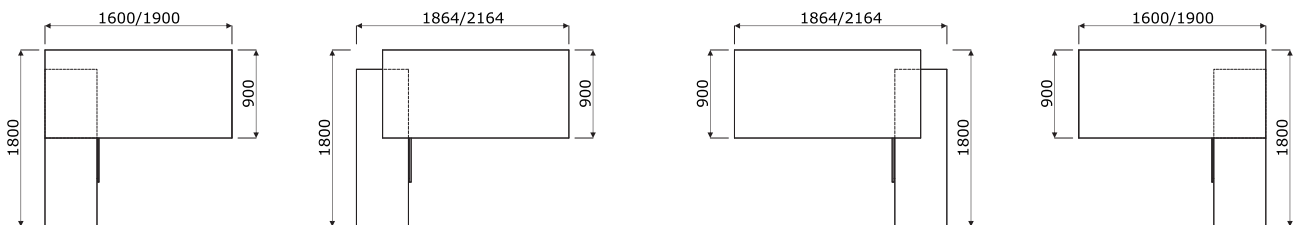
- 1. Worktop - MFC 38 mm, ABS edge
- 2. Top distance - aluminium 100x34x9 mm
- 3. Base - MFC 38 mm, ABS edge
- 4. Modesty panel - MFC 18 mm, ABS edge
- 5. Leveling feet - aluminium 100x34x9 mm, range 5 mm

Configuration examples

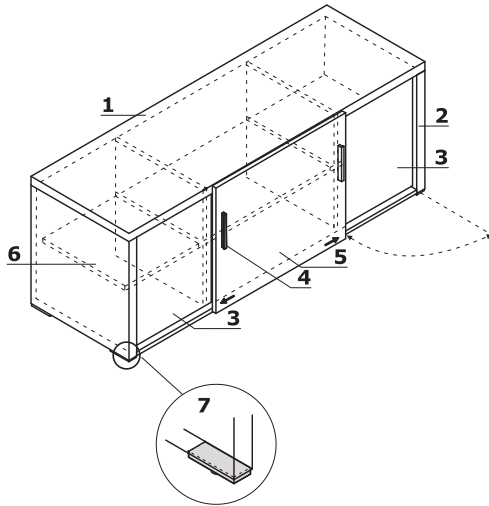


Qu16 / QU19

Configuration examples (mm)

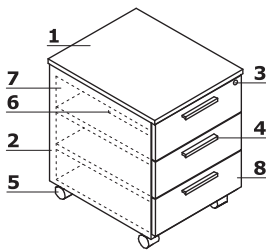


Cabinet



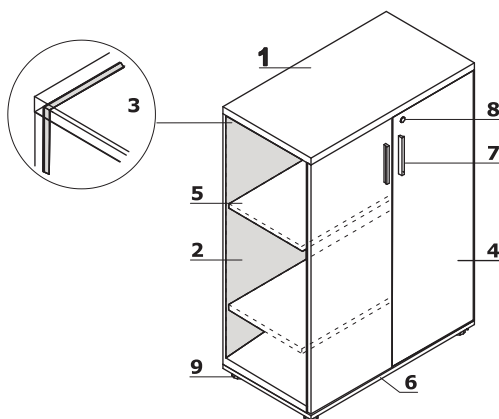
1. **Top** - MFC 38 mm, ABS edge
2. **Side panels** - MFC 38 mm, ABS edge
3. **Front** - MFC 18 mm, ABS edge
4. **Aluminum handle**
5. **Sliding front** - MFC 18 mm, ABS edge
6. **Shelf** - MFC 18 mm, protection against accidental falling-out, ABS edge
7. **Leveling feet** - aluminum 100x34x9 mm, range 5 mm

Mobile pedestal QD13



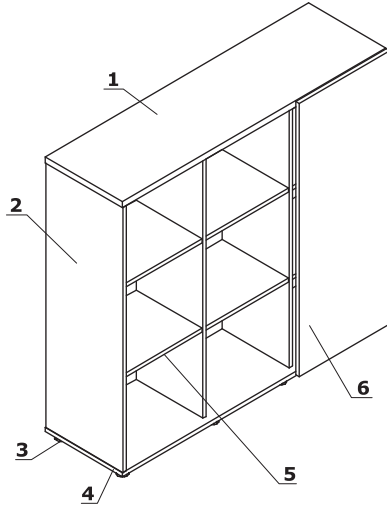
1. **Top** - MFC 18 mm, ABS edge
2. **Body** - MFC 18 mm, ABS edge
3. **Central lock** - foldable key
4. **Aluminum handle**
5. **Castors** - Ø50 mm, two with brakes
6. **Pencil tray** - plastic, colour: black
7. **MFC drawer** - roll runners, max load 25kg, 80% extraction; Anti-tilt mechanism
8. **Front** - MFC 18 mm, ABS edge

Storages



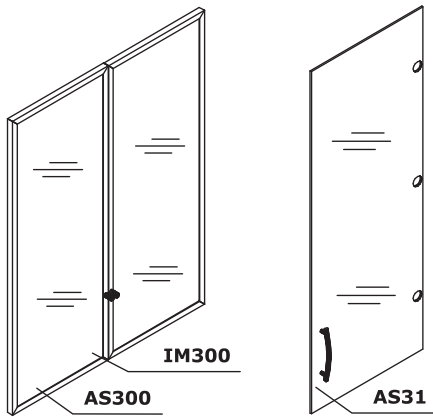
1. **Top** - MFC 28 mm, ABS edge
2. **Side panels** - MFC 18 mm, ABS edge
3. **Back MFC** - 18 mm, ABS edges
4. **Front** - MFC 18 mm, ABS edge, plain hinge 110°
5. **Shelf** - MFC 18 mm, protection against accidental falling-out, ABS edge
6. **Base** - MFC 18 mm, ABS edge
7. **Aluminum handle**
8. **Patent lock**
9. **Leveling feet** 27 mm - range 5 mm

Storage with sliding front - Q315



- 1. Top - MFC 28 mm, ABS edge
- 2. Side panels - MFC 18 mm, ABS edge
- 3. Leveling feet 27 mm - range 5 mm
- 4. Base - MFC 18 mm, ABS edge
- 5. Shelf - MFC 18 mm, protection against accidental falling-out, ABS edge
- 6. Sliding front - MFC 18 mm, ABS edge

Additional elements for storages

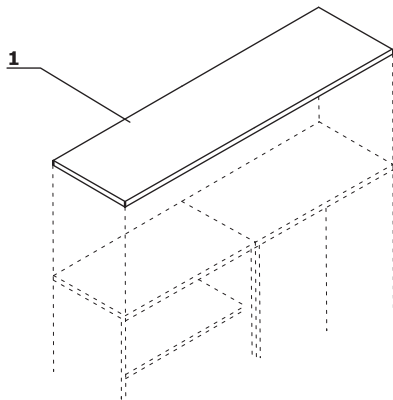


- 1. IM300
 - glass door 30H
 - transparent tempered glass 4 mm, with aluminum frame
- 2. AS300
 - glass door 30H
 - frosted tempered glass 4 mm, with aluminum frame
- 3. AS31
 - glass door 30H
 - transparent tempered glass 4 mm
 - universal (left,right)

www.mdd.eu

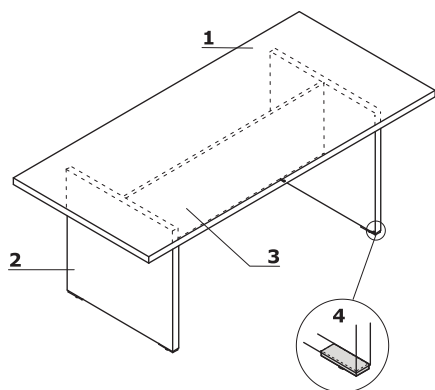
Optional storage tops

- 1. Top - MFC 38 mm, ABS edge



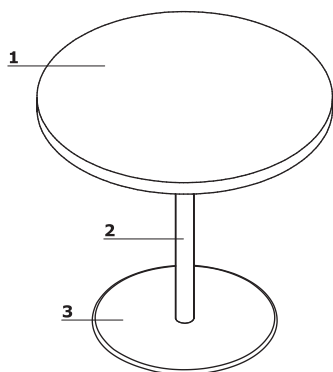
MFC base meeting tables

- 1. **Worktop** - MFC 38 mm, ABS edge
- 2. **Base** - MFC 38 mm, ABS edge
- 3. **Modesty panel** - MFC 18 mm, ABS edge
- 4. **Leveling feet** - aluminium 100x34x9 mm, range 5 mm

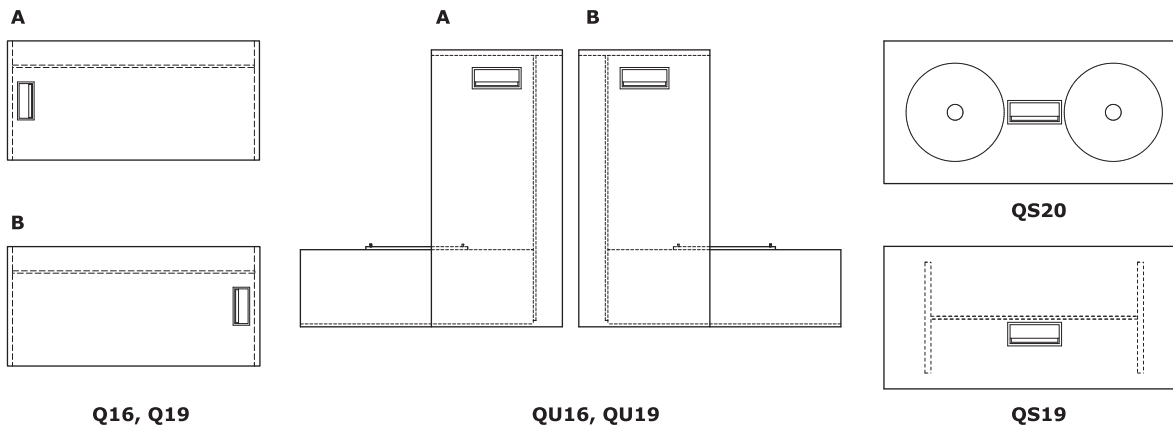


Disc base meeting tables

- 1. **Worktop** - MFC 38 mm, ABS edge
- 2. **Column** - powder coated steel
- 3. **Disc** - stainless steel



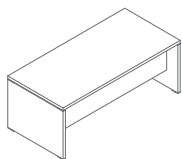
Mediabox location



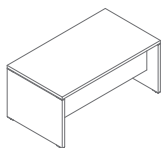
TO ORDER PRODUCT WITH MEDIABOX, AT THE END OF THE SYMBOL SHOULD BE ADDED A LETTER (A,B,...); WHICH IS CORRESPONDING TO THE SELECTED CONFIGURATION (EX. Q19A);

<p>Quando</p>	<p>Date of preparation 13.12.2019</p>	<p>The data contained in this document is valid in the day of its preparation. Change of the product, as long as it does not affect the basic features of it, does not require consistent updates of the document.</p>	<p>page 6/10 technical specification</p>
----------------------	---	--	--

Desks *

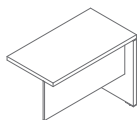


Q19
1900 / 900 / 740
82.9 kg



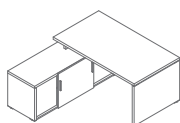
Q16
1600 / 900 / 740
26 kg

Desk extension *

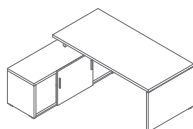


Q10
1000 / 550 / 740
27 kg

Desks with managerial storage *

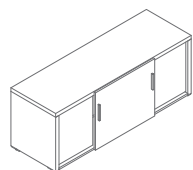


QU16
1600-1864 / 900-1800 / 740
138.5 kg



QU19
1900-2164 / 900-1800 / 740
148.4 kg

Cabinet *



QR16
1600 / 550 / 610
81 kg

* dimensions expressed in millimeters: width x depth x height

Quando	Date of preparation 13.12.2019	The data contained in this document is valid in the day of its preparation. Change of the product, as long as it does not affect the basic features of it, does not require consistent updates of the document.	page 7/10
			products

Pedestal *

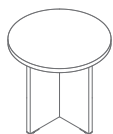


QD13
402 / 600 / 590
30 kg

Meeting tables *



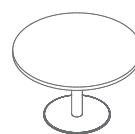
QSL08
800 / 800 / 550
30 kg



QS08
800 / 800 / 740
36 kg

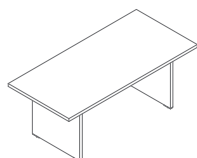


QS09
800 / 800 / 740
35 kg

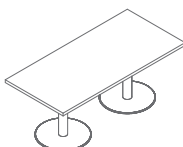


QS12
1200 / 1200 / 740
60 kg

www.mdd.eu

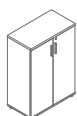


QS19
1900 / 900 / 740
71.9 kg

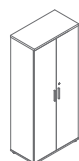


QS20
1900 / 900 / 740
100.9 kg

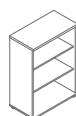
Storages *



Q31
801 / 432 / 1129
43 kg



Q51
801 / 432 / 1833
75 kg



Q35
801 / 432 / 1129
37 kg

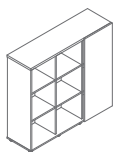


Q54
801 / 432 / 1833
65 kg

* dimensions expressed in millimeters: width x depth x height

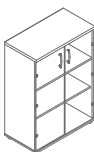
Quando	Date of preparation 13.12.2019	The data contained in this document is valid in the day of its preparation. Change of the product, as long as it does not affect the basic features of it, does not require consistent updates of the document.	page 8/10
			products

Storages *

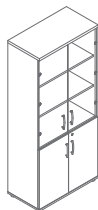


Q315
1400 / 432 / 1280
72 kg

Glass door storages *



Q35W
801 / 432 / 1129
37 kg



Q54W
801 / 432 / 1833
65 kg

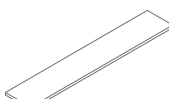
Optional storage tops *



QT08
806 / 434 / 38
8.5kg



QT16
1608 / 434 / 38
17 kg



QT24
2410 / 434 / 38
26 kg

www.mdd.eu

Additional elements *



Hq2
12 / 17 / 158
0.1 kg



M04
275 / 120 / 140
1.6 kg



M04H
275 / 120 / 140
1 kg



M05
275 / 120 / 25
0.3 kg

* dimensions expressed in millimeters: width x depth x height

Quando	Date of preparation 13.12.2019	The data contained in this document is valid in the day of its preparation. Change of the product, as long as it does not affect the basic features of it, does not require consistent updates of the document.	page 9/10
			products

MFC elements



31 Canadian oak



34 Chestnut



106 Lowland
walnut

Tables - disc base - column



M009 Aluminum
semi-matt RAL9006



M015 White
semi-matt RAL9010



M115 Black
semi-matt RAL9005