

Wave technical specification



.mdd

MDD has a leading position among manufacturers of office furniture with many awards that prove quality and continuously increase demand for it's products.

The realities of today`s market require constant quality improvement at all levels of modern organization. This applies in particular to customer service, marketing, quality of products and also to quality of processes within the company.

Partnership relations among employees and with business partners form a base of economic growth and success of the company.

Constant investments in innovative machinery park, optimization of management systems and an expansion of production halls allow to minimize the lead times for the product of the highest quality.

More than twenty years of experience in office furniture industry come with reference from a long list of companies and institutions to show their appreciation for an efficient and comprehensive service.

MDD is highly aware of the environment.

Being located in the forest region with lake by it's side, MDD takes the nature seriously and invests constantly in a modern and energy-efficient solutions to preserve the local life. Company puts emphasis on waste segregation and recycling. MDD has been awarded for the exceptional care and involvement in waste disposal. All materials used are environmentally friendly and enjoy a high 95 % rate of being recycled.



General informations:

Warranty:

MDD products - **5 years.**

Electrical components and fabric - **2 years.**

Certificate - MFC:



Boards density:

12 mm - 690 - 750 kg/m³

18 mm - 650 - 690 kg/m³

28 mm - 610 - 630 kg/m³

36 mm - 610 - 630 kg/m³

Assembly:

product delivered in separate elements

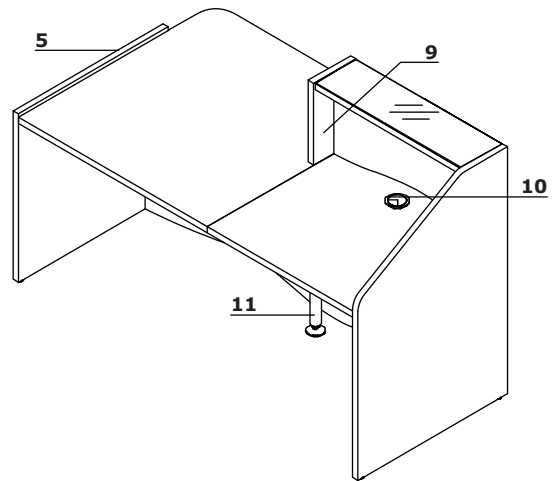
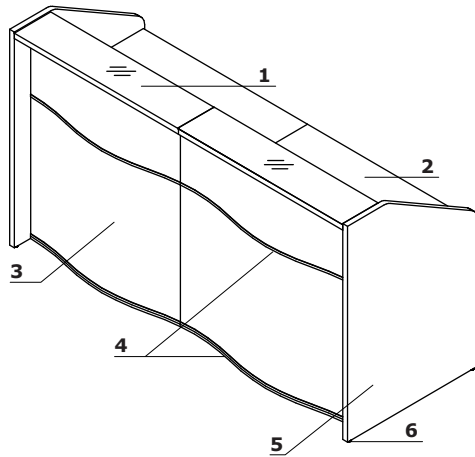
Packing:

cartboard, bubble wrap,

perforated plastic mesh wrap

Technical specification

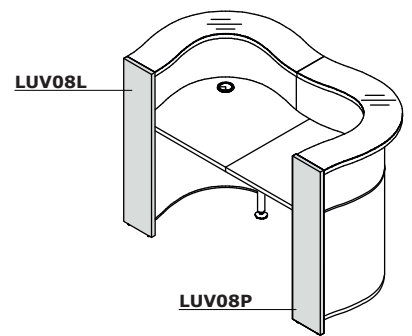
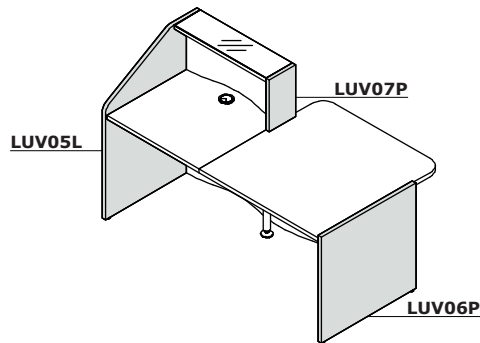
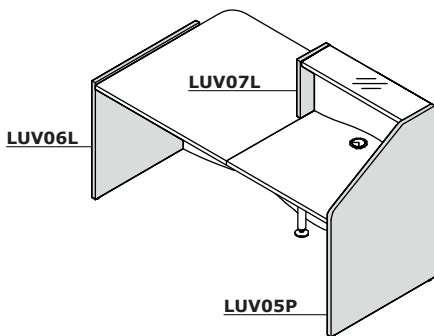
1. Top - MFC 36 mm + Glass LACOBEL 4 mm (40 mm)
2. Worktop - MFC 28 mm, ABS edge
3. Front - HPL - high gloss
4. Decorative stripe - PVC, colour: M009 - aluminum semi-matt
5. Low side panel - MFC 28 mm, ABS edge
6. Leveling - 5 mm range
7. Shelf for reception counter - HPL mat 6 mm
8. Fixing element - powder coated metal, colour: M015 - metal white semi-matt
9. Side panel linking low and high fronts - MFC 28 mm, ABS edge
10. Cable grommets - Ø80 mm
11. Supporting leg NL41 - required for connecting the tops



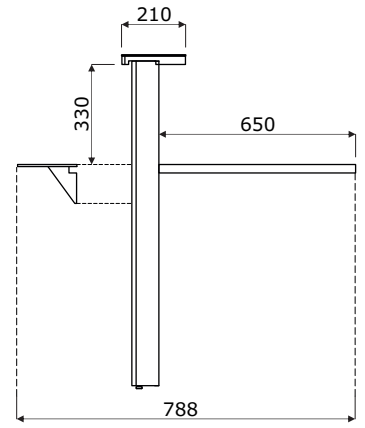
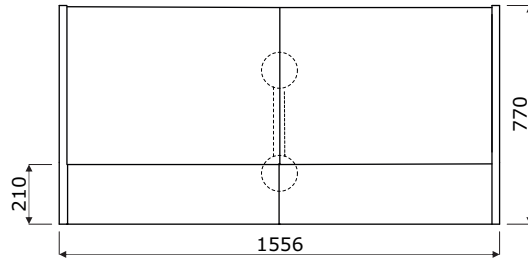
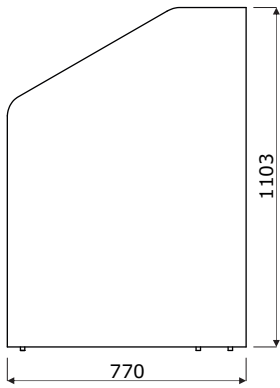
www.mdd.eu

ATTENTION - Interior of the front in white

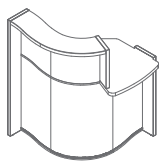
Ending elements application



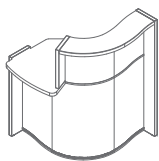
Dimensions



Reception desks *

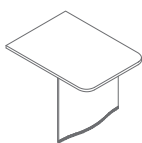


LUV49L
858 / 925 / 1103
39 kg

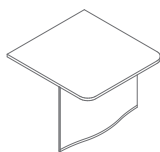


LUV49P
858 / 925 / 1103
39 kg

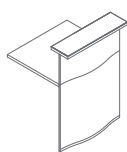
Composition elements *



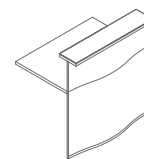
LUV011
750 / 1029 / 740
22.5 kg



LUV01
970 / 1029 / 740
28.5 kg



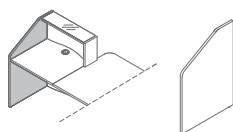
LUV02
750 / 763 / 1103
29 kg



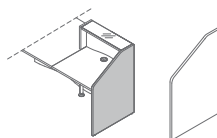
LUV03
970 / 763 / 1103
33 kg



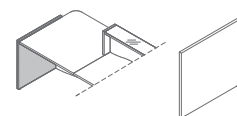
LUV04
815 / 815 / 1103
36 kg



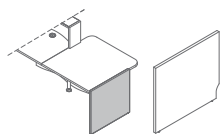
LUV05L
770 / 28 / 1103
15 kg



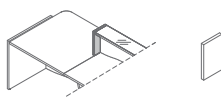
LUV05P
770 / 28 / 1103
15 kg



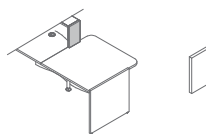
LUV06L
770 / 28 / 755
11 kg



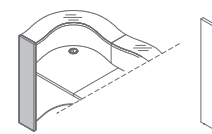
LUV06P
770 / 28 / 755
11 kg



LUV07L
216 / 28 / 363
2 kg



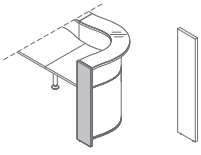
LUV07P
216 / 28 / 363
2 kg



LUV08L
216 / 28 / 1103
5 kg

* dimensions expressed in millimeters: width x depth x height

Composition elements *



LUV08P
216 / 28 / 1103
5 kg



NL41
585 / 142 / 712
2 kg

* dimensions expressed in millimeters: width x depth x height

Wave	Date of preparation 14.01.2020	The data contained in this document is valid in the day of its preparation. Change of the product, as long as it does not affect the basic features of it, does not require consistent updates of the document.	page 6/7
			products

Upper top



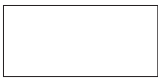
117 Glass white
RAL9003

Body



67 White pastel

Supporting leg - metal



M015 White
semi-matt

Front - HPL



73 White high
gloss



74 Orange high
gloss



80 Green high
gloss



81 Burgundy high
gloss
